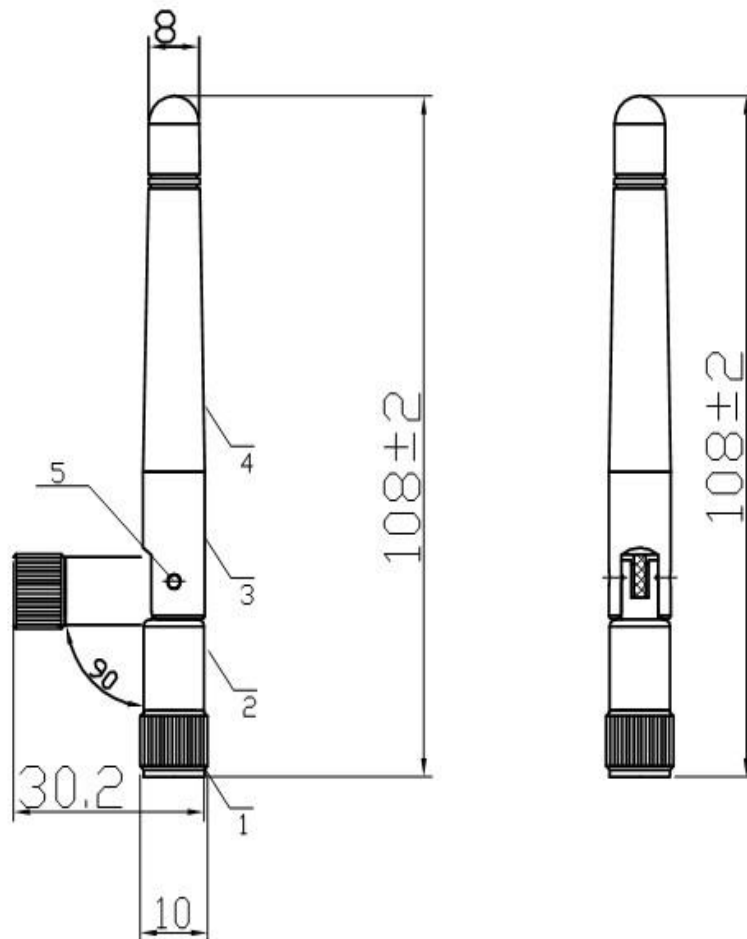


Model WH-433-02.5

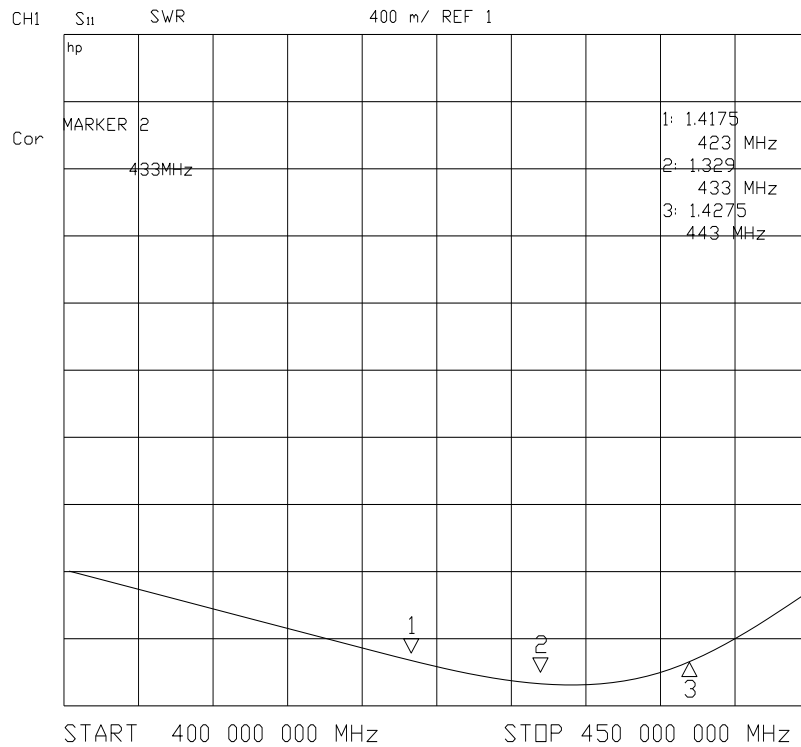
Frequency	433MHZ
Bandwidth	433±3MHz
VSWR	≤1.8
Gain	2 . 5dBi
Polarization Type	Vertical
Rated Power	50w
Input Impedance	50Ω
Color	White with Red mark
Connector Type	RP SMA male
Dimensions	Φ8×110mm
Weight	18g







Wellhope communication equipment factory



www.wellhope-wireless.com wh@wellhope-wireless.com

ADD:No.10, Wenming road SanShui District FoShan City, Guangdong , China