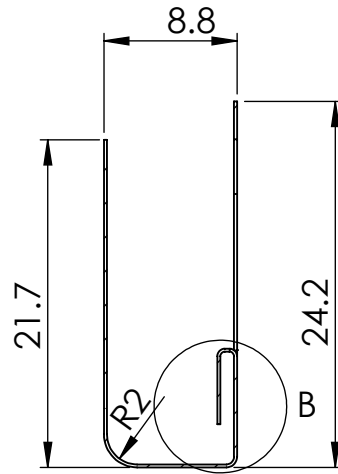
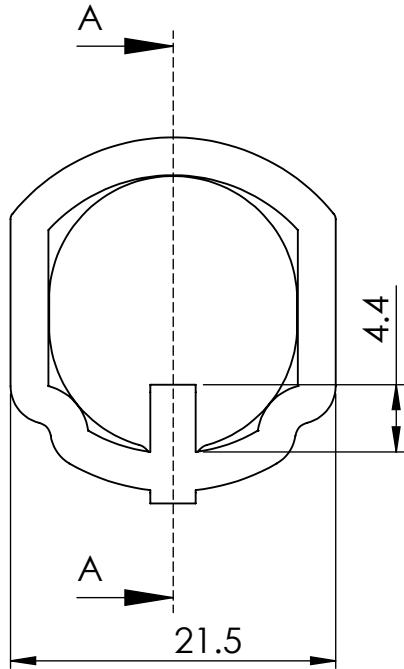
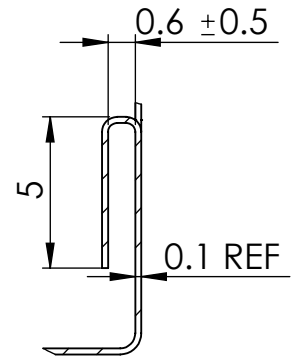


ZONE	REV	DESCRIPTION	DATE	DESIGNED



SECTION A-A
SCALE 2 : 1



DETAIL B
SCALE 4 : 1

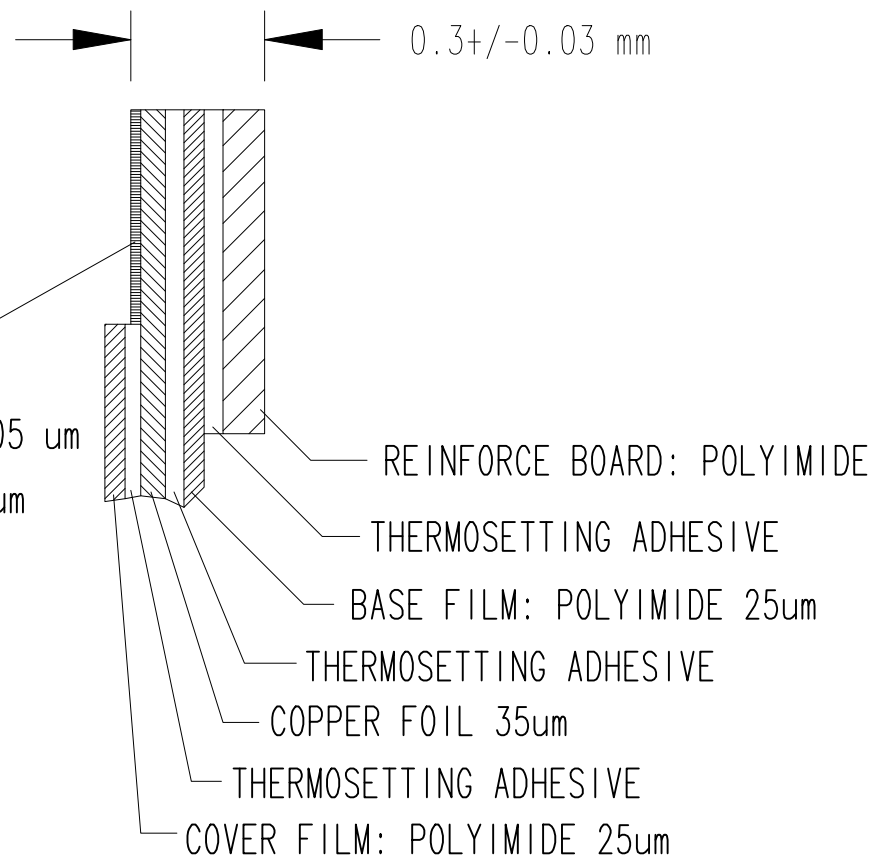
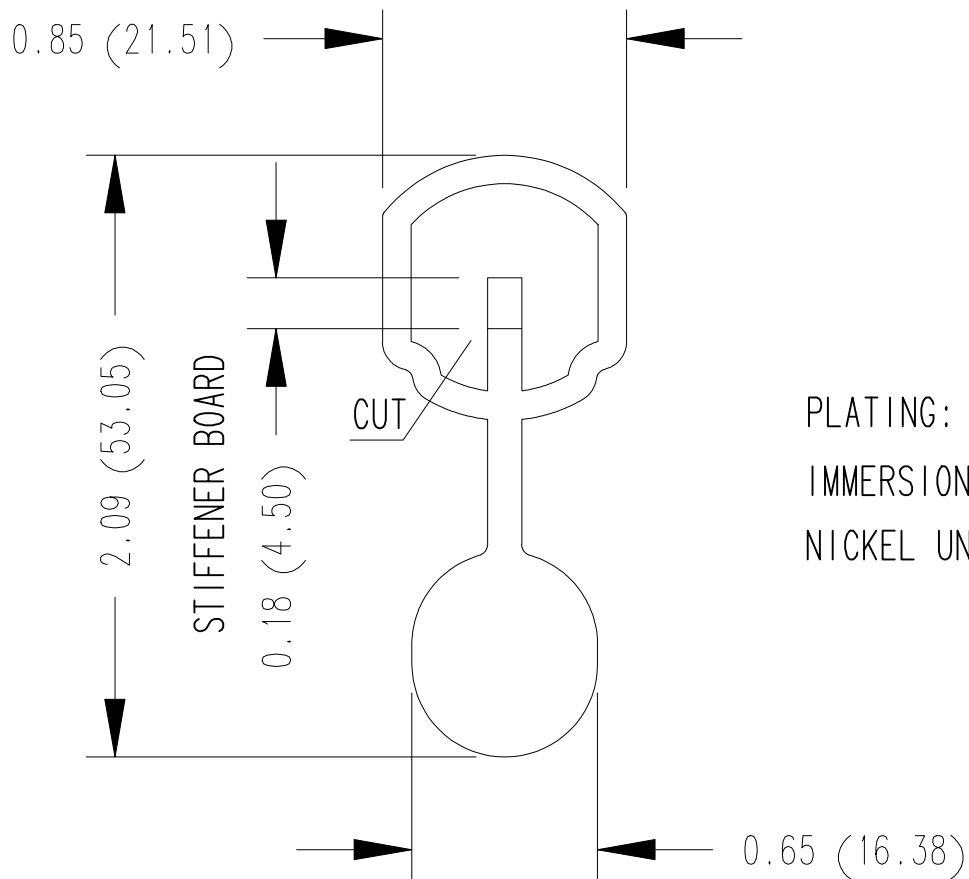


Notes:

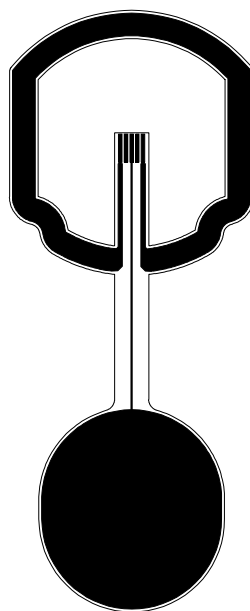
1. This drawing is additional to a 3D CAD file.

Tolerances, unless otherwise specified All dimensions are in mm.		Name	Signature	Date			
Length ±0.2	Angle	Designed Penkov T		01.04.13			
S. Texture		Checked Damianov S		01.04.13	Title Antenna		
Material ???????		Approved Dimitrov L		01.04.13			
Finish					Drawing Number H-BTE06002	Rev. B	SHEET 1 OF 1
					Scale 5:1	Size A4	FileName H-BTE06002 r-Antenna_010413A

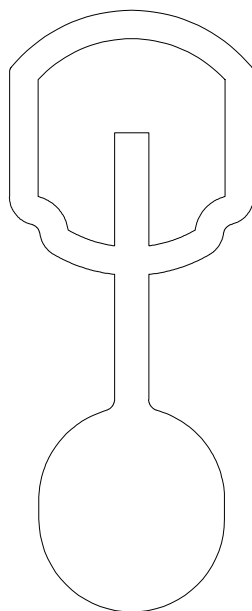
A.Y.S. Elect. LTD No. 091_13	COMPANY: VISONIC TECHNOLOGIES	
	PROJECT: 8-BTE06013A	DATE: 18.04.13
	LAYER: MASTER DRAWING	
	NAME:	



A.Y.S.	COMPANY: VISONIC TECHNOLOGIES	
Elect.	PROJECT: 8-BTE06013A	DATE: 18.04.13
LTD	LAYER: L1 COMPONENT SIDE	
No. 091_13	NAME:	



A.Y.S. Elect. LTD No. 091_13	COMPANY: VISONIC TECHNOLOGIES	
	PROJECT: 8-BTE06013A	DATE: 18.04.13
	LAYER: L2 PRINT SIDE	
	NAME:	



A.Y.S.	COMPANY: VISONIC TECHNOLOGIES	
Elect.	PROJECT: 8-BTE06013A	DATE: 18.04.13
LTD	LAYER: COVER LAYER C.S	
No. 091_13	NAME:	

