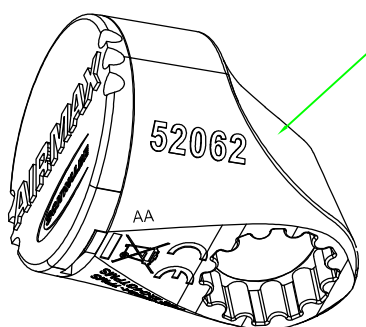
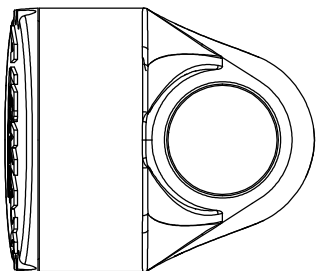
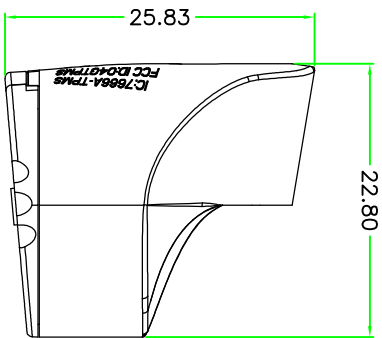
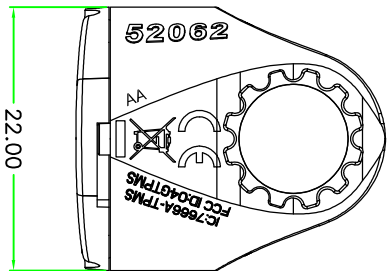
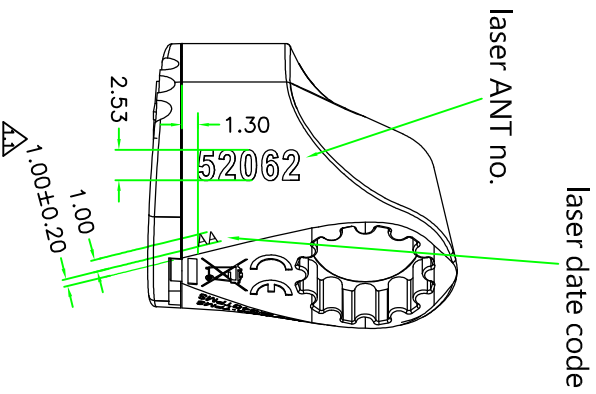


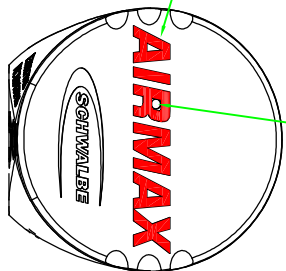
4 3 2 1

A B C D E



Housing
all black

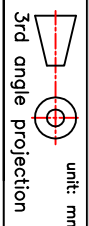
Logo silver 877C



试气孔

產品要求:
須符合Rohs及Reach的安全規格.
防水測試: 用1.0Bar內壓.
UV測試: 放在UV燈箱內72小時不可出現變色.

DAYTON INDUSTRIAL CO. LTD.
KENDY ENTERPRISE LTD.



unit: mm
LINEAR ± 0.1
ANGULAR ± 1°
UNSPECIFIED TOLERANCE

TITLE:	Cosmetic drawing	CAV:	MODEL NAME:	Tire pressure sensor	VERSION NO:	1.1
PART NO:	B9-MS1360000	COLOR:	MODEL NO:	MS13600	DATE:	11-03-2022
MAT'L:	PC	SCALE:	DOC CONTROL NO:	006-1801	SHEET	1/1
FINISH:	TR-10	QTY:	DWN	CHKD	APPD	

1.1	????	ΔΔ	11/03/2022
1.0	REVISIONS	ΔΔ	DATE

A B C D E

4 3 2 1