

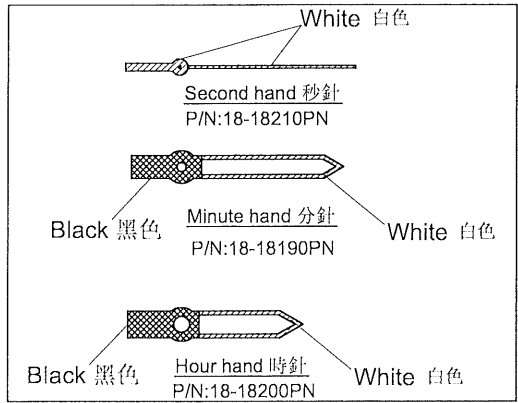
A

B

C

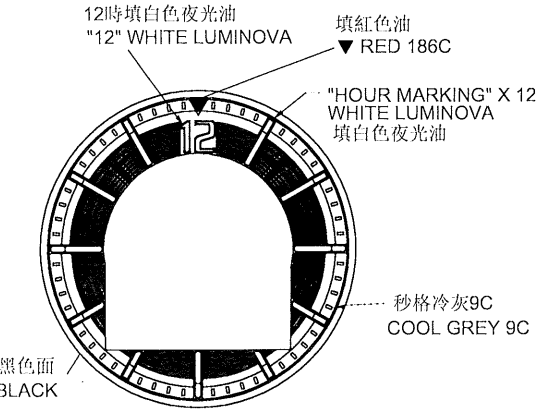
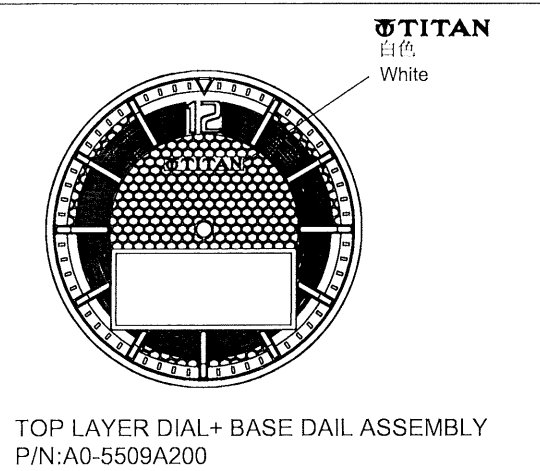
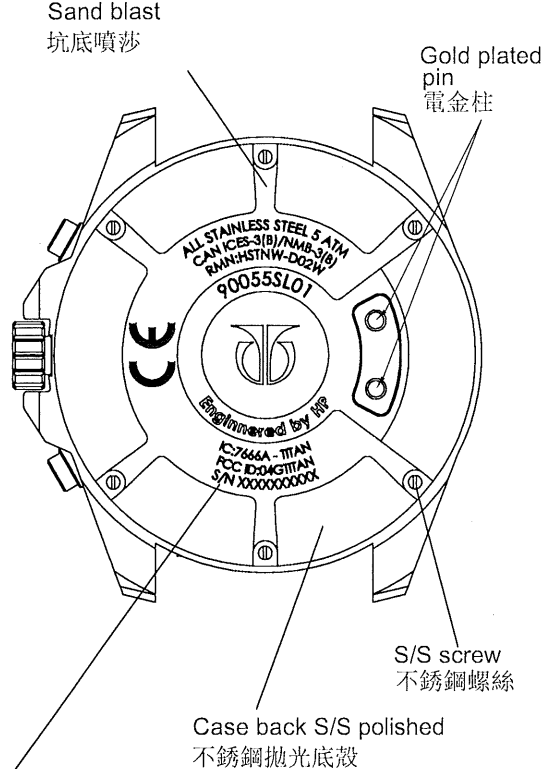
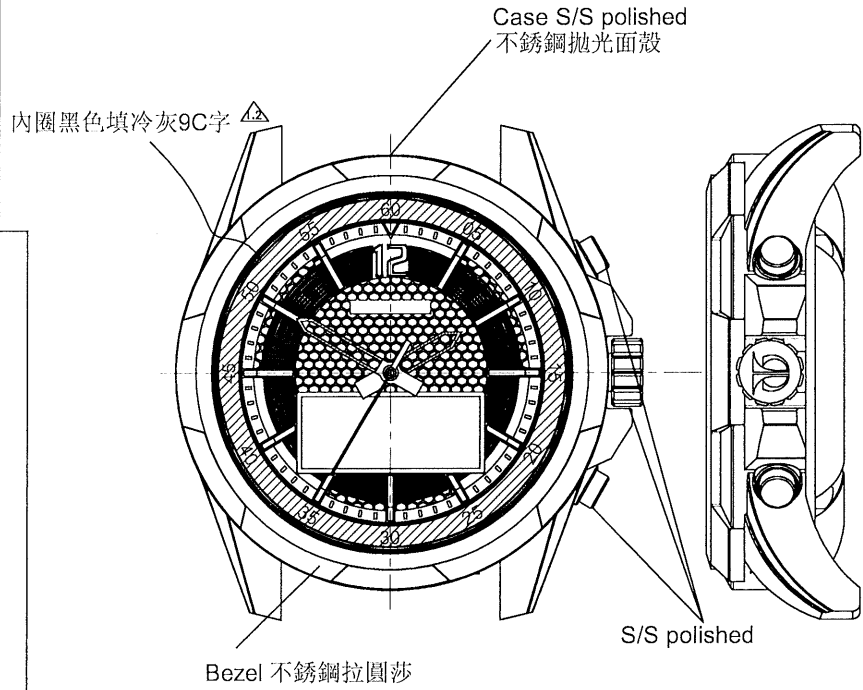
D

E



TOP CASE 316L SS+ GLASS+BEZEL+KEY ASM
P/N:A0-18160300

BACK COVER
P/N:A1-1817001



SERIAL NUMBER
(TO BE MARKED AT WATCH LEVEL BY DAYTON)

DAYTON INDUSTRIAL CO. LTD. KENDY ENTERPRISE LTD.			3rd angle projection	LINEAR ± ANGULAR ± UNSPECIFIED TOLERANCE
TITLE: COSMETIC DRAWING		MODEL NAME: S/S POLISHED CASE		VERSION NO: 1.2
1.2	更新內圈字絲印顏色	18/Dep/15	PART NO: B9-TI2570000	MODEL NO: TI25700
1.1	更新P/N	5/Aug/15	MAT'L:	SCALE: NO
REV.	REVISIONS	DATE	FINISH:	DOC CONTROL NO: 005-4157
			QTY:	SHEET 1 OF 1
			DWN	CHKD
				APPD

A

B

C

D

E

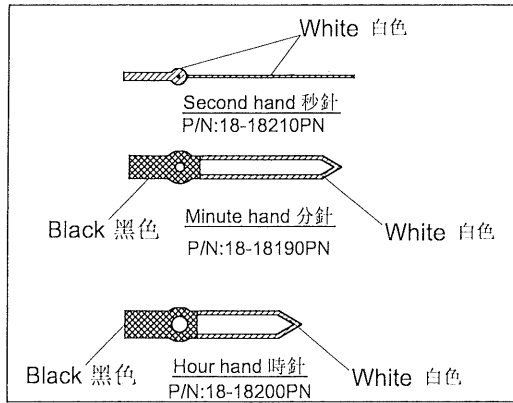
A

B

C

D

E

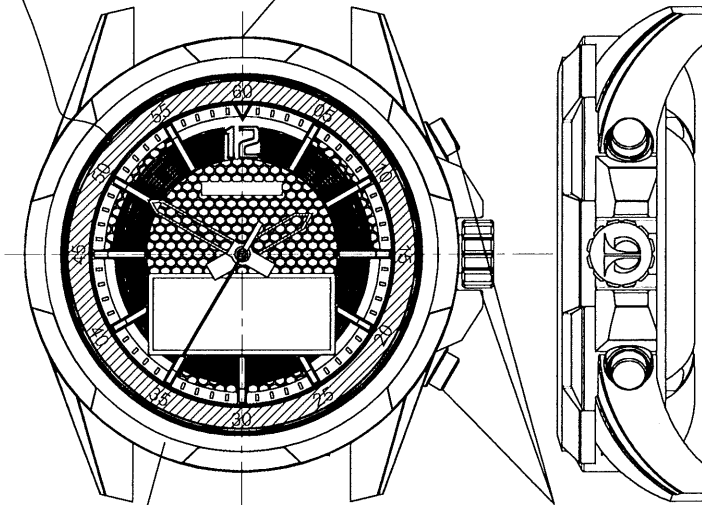


TOP CASE 316L SS+ GLASS+BEZEL+KEY ASM
P/N:A0-18160301

BACK COVER
P/N:A1-1817002

Case TITANIUM
鈦金屬面殼

內圈黑填白色字

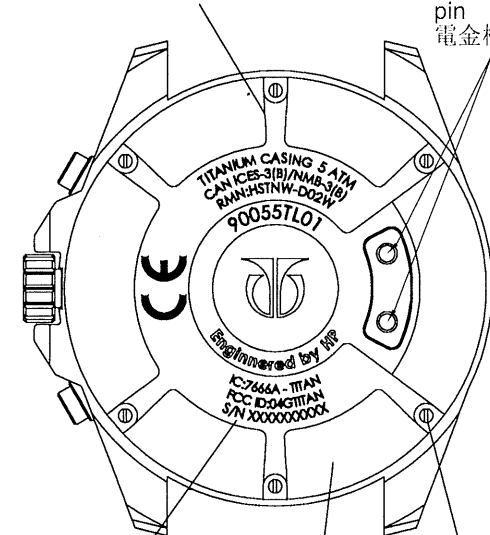


BEZEL BLACK

TITANIUM
鈦掣

Sand blast
坑底噴砂

Gold plated pin
電金柱

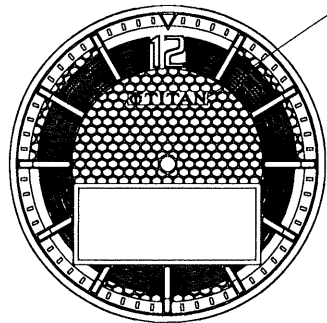


S/S screw
不銹鋼螺絲

Case back S/S circle brush
不銹鋼拉圓沙底殼

SERIAL NUMBER
(TO BE MARKED AT WATCH LEVEL BY DAYTON)

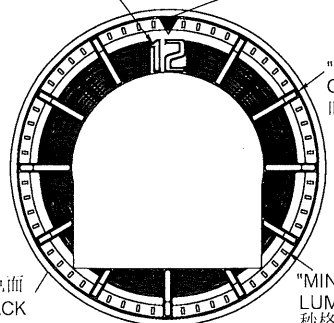
TITAN
白色
White



TOP LAYER DIAL+ BASE DIAL ASSEMBLY
P/N:A0-5509A201

"12" COOL GREY 9C
12時 填冷灰9C

填紅色油
RED 186C



"HOUR MARKING"
COOL GREY 9C
時位填冷灰9C

黑色面
BLACK

"MINUTE MAKING"
LUMINOVA WHITE
秒格填白色夜光油

DAYTON INDUSTRIAL CO. LTD.
KENDY ENTERPRISE LTD.

3rd angle projection

LINEAR ±
ANGULAR ±
UNSPECIFIED TOLERANCE

1.2	更新內圈字印顏色	18/Dep/15
1.1	更新P/N	5/Aug/15
REV.	REVISIONS	DATE

TITLE: COSMETIC DRAWING	MODEL NAME: TITANIUM CASE	VERSION NO: 1.2
PART NO: B9-TI2570100	MODEL NO: TI25701	DATE: 18/Dep/15
MAT'L:	SCALE: NO	DOC CONTROL NO: 005-4158
FINISH:	QTY:	SHEET 1 OF 1
	DWN	CHKD
		APPD

A

B

C

D

E

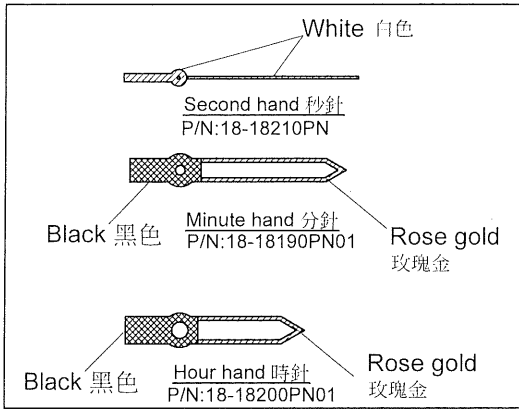
A

B

C

D

E



TOP CASE 316L SS+ GLASS+BEZEL+KEY ASM
P/N:A0-18160302

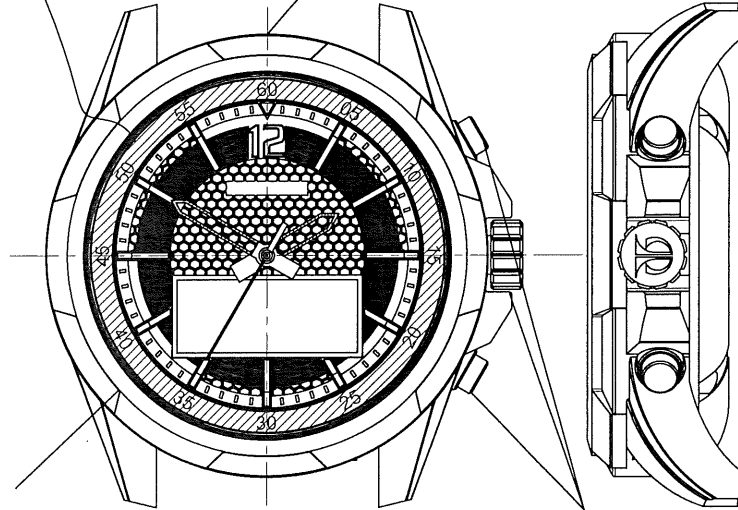
BACK COVER
P/N:A1-1817003

Case S/S IP BLACK
不銹鋼殼 IP黑色

Sand blast
坑底噴砂

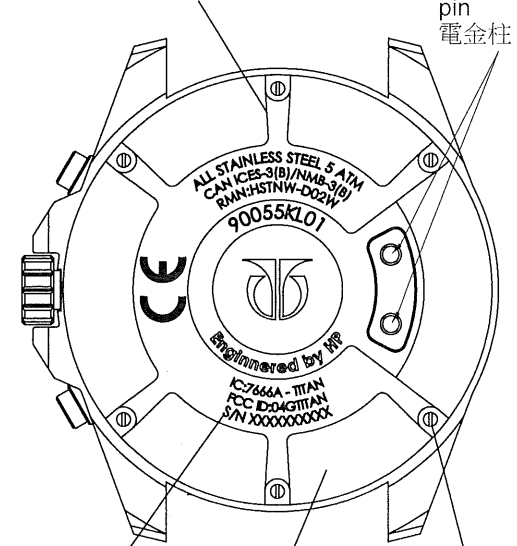
Gold plated pin
電金柱

內圈黑填白色字



BEZEL ROSE GOLD
玫瑰金

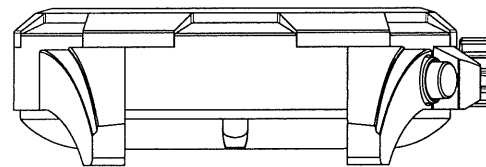
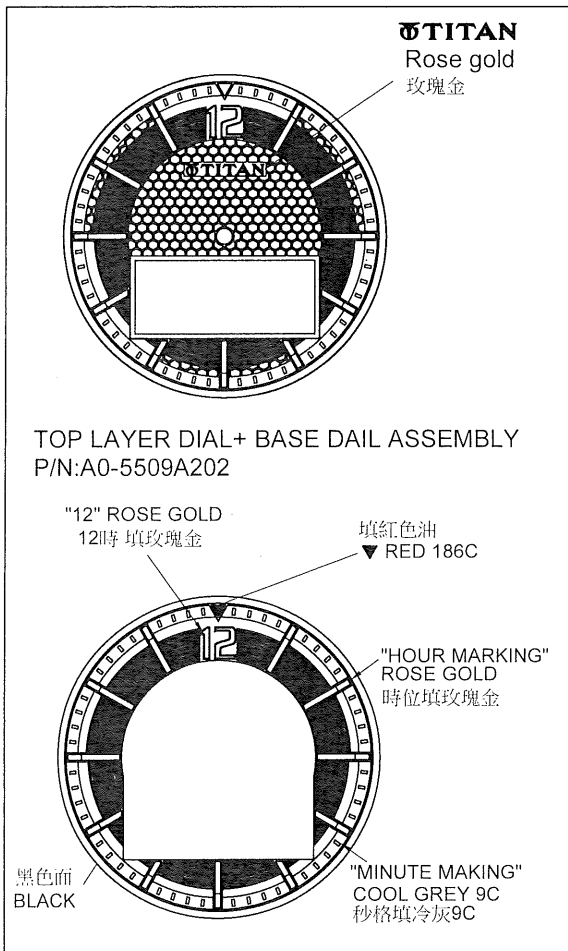
玫瑰金
ROSE GOLD



S/S screw IP BLACK
不銹鋼螺絲 IP BLACK

Case back S/S circle brush IP BLACK
不銹鋼拉圓莎

SERIAL NUMBER
(TO BE MARKED AT WATCH LEVEL BY DAYTON)



DAYTON INDUSTRIAL CO. LTD. KENDY ENTERPRISE LTD.		3rd angle projection		LINEAR ± ANGULAR ± UNSPECIFIED TOLERANCE	
TITLE: COSMETIC DRAWING		MODEL NAME: ROSE GOLD CASE		VERSION NO: 1.2	
PART NO: B9-TI2570200		MODEL NO: TI25702		DATE: 18/Sep/15	
1.2 更新內圈字絲印顏色 18/Dep/15		SCALE: NO		DOC CONTROL NO: 005-4159	
1.1 更新P/N 5/Aug/15		FINISH:		SHEET 1 OF 1	
REV.	REVISIONS	DATE	QTY:	DWN	CHKD
					APPD

A

B

C

D

E