

KENEVO_{SL}



USER MANUAL

EN FR DE CZ PL SK



CONTENTS

1. INTRODUCTION	1
1.2. WARRANTY	1
2. KENEVO SL COMPONENTS	2
3. GEOMETRY	3
4. GENERAL INFORMATION ABOUT YOUR Kenevo SL	4
4.1. INTENDED USE	4
4.2. PEDELEC / EPAC	4
5. GENERAL NOTES ABOUT RIDING	5
5.1. RIDING TIPS	5
5.2. BEFORE RIDING	5
5.3. KNOW YOUR RANGE	6
5.4. REMOVABLE YELLOW STICKER	6
5.5. RIDING WITH KIDS	6
6. GENERAL NOTES ABOUT ASSEMBLY	7
6.1. HEADSET BEARINGS	7
6.2. SEATPOST	7
6.3. DERAILLEUR HANGER	8
6.4. SPEED SENSOR	8
6.5. CHAIN GUIDE	8
6.6. STEM	9
6.7. TCU / HANDLEBAR	10
6.8. MOTOR COVER	10
7. GENERAL NOTES ABOUT MAINTENANCE	10
7.1. REPLACEMENT PARTS AND ACCESSORIES	11
8. SYSTEM INTERFACE	11
8.1. TURBO CONNECT UNIT 2 (TCU 2)	11
8.2. HANDLEBAR REMOTE	12
8.3. STARTING THE SYSTEM ON THE TCU	13
8.4. SUPPORT MODES	13
8.5. CHANGING SUPPORT MODES ON THE REMOTE	14
8.6. CONNECTIVITY OPTIONS	14
8.7. ERROR CODES	15
8.8. FACTORY RESET	15
9. MISSION CONTROL	16
9.1. MISSION CONTROL FUNCTIONS	16
9.2. IN-APP HELP GUIDE	17
9.2. DOWNLOAD AND INSTALL MISSION CONTROL	17
9.3. PAIRING YOUR Bike WITH MISSION CONTROL	17
9.5. CUSTOMIZING THE TCU 2 DISPLAY	18
10. BATTERY AND CHARGER	18
10.1. CHARGING AND USING THE BATTERY	19

10.2. CHARGING THE BATTERY	19
10.4. CHARGE LEVEL DISPLAY	21
10.5. CLEANING	21
10.6. STORAGE	21
10.7. TRANSPORT	22
10.8. DISPOSAL	22
10.9. BATTERY TECHNICAL DATA	22
10.10. CHARGER TECHNICAL DATA	22
11. SPECIFICATIONS	23
11.1. GENERAL SPECIFICATIONS	23
11.2. SHOCK CUSTOMIZATION	24
11.3. MAXIMUM FORK LENGTH, TIRE, AND CHAIN-RING SIZE	24
11.4. TOOLS REQUIRED	24
11.5. BOLT SIZE / TOOLS / TO TORQUE SPECIFICATIONS	25
11.6. BEARING SPECIFICATIONS	26
11.7. SPACER/AXLE/BOLT SPECIFICATIONS	26
11.8. SUSPENSION TORQUE SPECIFICATIONS	29
12. FLIP CHIPS	30
12.1. ADJUSTING THE HORST PIVOT FLIP CHIP	30
12.2. ADJUSTING THE HEADTUBE ANGLE	31
13. AIR SHOCK SETUP	34
13.1. SETTING AIR PRESSURE	34
13.2. ADJUSTING REBOUND	34
13.3. ADJUSTING COMPRESSION	35
14. DERAILLEUR HANGER	35
15. RANGE EXTENDER (RE)	37
15.1. USING the RE	37
15.2. MISSION CONTROL INTEGRATION	39
15.3. CHARGING YOUR RANGE EXTENDER	39
15.4. CHARGE LEVEL DISPLAY WITH RANGE EXTENDER BATTERY	39
16. REGULATORY STATEMENTS	40
17. EC - DECLARATION OF CONFORMITY	41

SPECIALIZED BICYCLE COMPONENTS

15130 Concord Circle, Morgan Hill, CA 95037 (408) 779-6229

0000000000_UM_R1_05/20

We may occasionally issue updates and addendums to this document. Please periodically check

www.specialized.com or contact Rider Care to make sure you have the latest information.

Info: specialized.com / 877-808-8154

1. INTRODUCTION

THIS USER MANUAL CONTAINS IMPORTANT INFORMATION. PLEASE READ CAREFULLY AND STORE IN A SAFE PLACE.

This manual was drafted in the English language (Original instructions) and may have been translated into other languages as applicable (translation of Original instructions).

This user manual is specific to your Specialized Kenevo SL bicycle and should be read in addition to the Specialized Bicycle Owner's Manual ("Owner's Manual"). It contains important safety, performance, and technical information, which you should read before your first ride and keep for reference. You should also read the entire Owner's Manual because it has additional important general information and instructions which you should follow. If you do not have a copy of the Owner's Manual, you can download it at no cost at www.specialized.com, or obtain it from your nearest Authorized Specialized Retailer or Specialized Rider Care.

Additional safety, performance, and service information for specific components such as suspension or pedals on your bicycle, or for accessories such as helmets or lights, may also be available. Make sure that your Authorized Specialized Retailer has given you all the manufacturers' literature that was included with your bicycle or accessories. If there is a difference between the instructions in this manual and the information provided by a component manufacturer, please refer to your Authorized Specialized Retailer.

The Kenevo SL is classified as an EPAC (Electrically Power Assisted Cycle, otherwise known as a Pedelec), and is referred to in this manual as a bicycle unless otherwise noted.

ADDITIONAL LANGUAGES ARE AVAILABLE FOR DOWNLOAD AT www.specialized.com.

When reading this user manual, you will note various important symbols and warnings, which are explained below:



WARNING! The combination of this symbol and word indicates a potentially hazardous situation which, if not avoided, could result in serious injury or death. Many of the Warnings say "you may lose control and fall." Because any fall can result in serious injury or even death, we do not always repeat the warning of possible injury or death.



CAUTION: The combination of the safety alert symbol and the word CAUTION indicates a potentially hazardous situation, which, if not avoided, may result in minor or moderate injury, or is an alert against unsafe practices.

The word CAUTION used without the safety alert symbol indicates a situation which, if not avoided, could result in serious damage to the bicycle or the voiding of your warranty.



INFO: This symbol alerts the reader to information which is particularly important.



GREASE: This symbol means that high quality grease should be applied as illustrated.



CARBON FRICTION PASTE: This symbol means that carbon friction paste should be applied as illustrated to increase friction.



TORQUE: This symbol highlights the correct torque value for a specific bolt. In order to achieve the specified torque value, a quality torque wrench must be used.



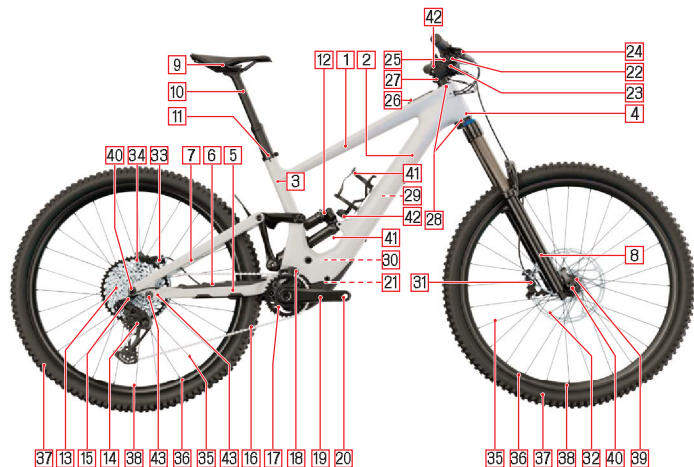
TECH TIP: Tech Tips are useful tips and tricks regarding installation and use.

1.2. WARRANTY

Please refer to the written warranty provisions provided with your bicycle, or visit www.specialized.com. A copy is also available at your Authorized Specialized Retailer.

2. KENEVO SL COMPONENTS

2.1



1. TOP TUBE	24. BRAKE LEVER
2. DOWN TUBE	25. REMOTE
3. SEAT TUBE	26. TCU 2 DISPLAY
4. HEAD TUBE	27. STEM
5. CHAINSTAY	28. ADJUSTABLE HEADSET
6. CHAINSTAY PROTECTOR	29. INTERNAL RECHARGEABLE BATTERY
7. SEAT STAY	30. CHARGING SOCKET
8. FORK	31. FRONT BRAKE CALIPER
9. SADDLE	32. FRONT BRAKE ROTOR
10. SEATPOST	33. REAR BRAKE CALIPER
11. SEATPOST CLAMP	34. REAR BRAKE ROTOR
12. REAR SHOCK	35. SPOKE
13. CASSETTE	36. RIM
14. DERAILLEUR HANGER	37. TIRE
15. REAR DERAILLEUR	38. VALVE
16. CHAIN	39. HUB
17. CHAINRING	40. THRU-AXLE
18. CHAIN GUIDE	41. WATER BOTTLE CAGE
19. CRANK ARM	42. SWAT TOOL
20. PEDAL	43. ADJUSTABLE HORST PIVOT
21. MOTOR	
22. HANDLEBAR	
23. SHIFTER	

TURBO CONNECT UNIT 2 (TCU 2)

Fig. 2.2

All Kenevo SL models are equipped with the TCU 2 display. The display turns on the motor and provides a visual on the display for Speed, Battery State Of Charge, Mode, Heart Rate, Error Codes, Distance Ridden, Elevation, Rider Power, Odometer, Time Ridden, and Time of Day.



RANGE EXTENDER (RE)

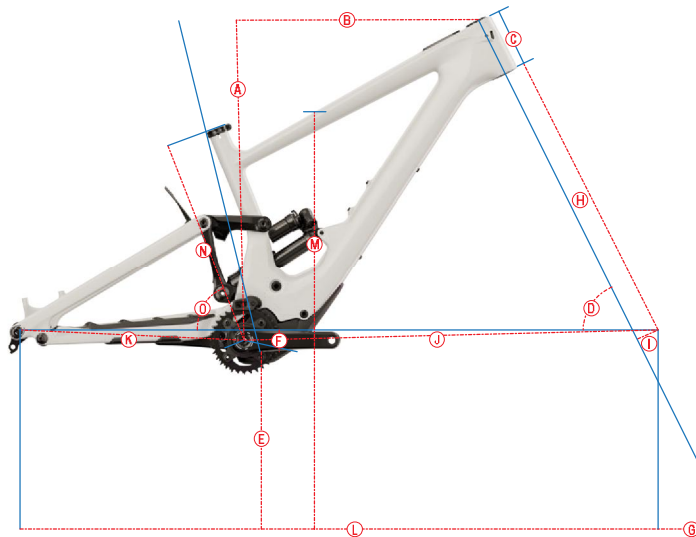
Fig. 2.3

Your Kenevo SL is compatible with the RE (Fig. 2.4), to further increase range and ride time. The RE is securely held in the supplied Zee Cage II Right and the Specialized battery retention band. The RE connects to the motor through a dedicated power cable that plugs into the charge port.

Use the RE together with the 285 mm RE Cable. The RE and RE Cable are available through your local Authorized Specialized Retailer.



3. GEOMETRY



FRAME SIZE		S2	S3	S4	S5
A	STACK	618	626	635	644
B	REACH	435	460	485	510
C	HEAD TUBE LENGTH	105	115	125	135
D	HEAD TUBE ANGLE	63.5			
E	BB HEIGHT	350			
F	BB DROP	25			
G	TRAIL	136			
H	FORK LENGTH (FULL)	579			
I	FORK RAKE/OFFSET	46	46	46	46
J	FRONT CENTER	782	812	841	871
K	CHAINSTAY LENGTH	447			
L	WHEELBASE	1228	1258	1287	1316
M	BIKE STAND-OVER HEIGHT	404	405	417	427
N	SEAT TUBE LENGTH	400	420	440	465
O	SEAT TUBE ANGLE	76.5			
	CRANK LENGTH (MM)	165	165	170	170
	HANDLEBAR WIDTH (MM)	800			
	STEM LENGTH (MM)	40	50	50	50
	SADDLE WIDTH (MM)	155	143	143	143
	SEATPOST MAX INSERTION (MM)	150	150	170	200
	FORK SIZE (MM)	170			
	TOP TUBE LENGTH (HORIZONTAL)	589	616	643	671

The above table shows the standard geometry for the bicycles as shipped.

Visit www.specialized.com for all possible geometry configurations.

4. GENERAL INFORMATION ABOUT YOUR KENEVO SL

4.1. INTENDED USE

The Kenevo SL is intended and tested for All Mountain mountain biking (Condition 4) use only.

For more information on intended use and structural weight limits, please refer to the Specialized Owner's Manual.



INFO: Before using your Kenevo SL bicycle, please inform yourself of all applicable legal requirements and regulations in your country or state. There may be restrictions on riding your Kenevo SL bicycles on public roads, cycling paths, and/or trails. There may also be applicable helmet requirements, age restrictions or license or insurance requirements. Specialized does not, and will not, make any promise, representation, or warranty regarding the use of your Kenevo SL bicycle. As laws and regulations regarding electric bicycles vary by country and/or state and are constantly changing, please make sure to obtain the latest information. You should also regularly see your Authorized Specialized Retailer for updated information.

CAUTION: All Kenevo SL bicycles have a fixed pre-set speed limit at which the motor support will automatically shut off. Any (attempted) tampering with the power output and/or system is prohibited and will void the warranty.

4.2. PEDELEC / EPAC

The Kenevo SL is classified as a EPAC.

Your motor support will automatically shut off when you reach a maximum assistance speed depending on the country of purchase. A driver's license or insurance is typically not required.

Per EN 15194: The A-weighted emission sound pressure level at the driver ears is less than 70 dB(A).

5. GENERAL NOTES ABOUT RIDING

The Kenevo SL motor provides pedal assistance only while you are pedaling and the bicycle is in motion. The amount of pedal assistance will be higher or lower depending on the amount of force applied to the pedals. If you stop pedaling, the motor will stop providing any assistance.

The Kenevo SL bicycle can also be ridden as a normal bicycle without motor assistance by switching the display to the OFF mode. The same applies if the battery charge drops below 5% - 3%.

5.1. RIDING TIPS

Because of the electric motor assist, the Kenevo SL offers a unique riding experience compared to a bicycle without motor assist. Below are some riding tips which may also reduce component wear and increase battery range:

- Pay attention to your speed going into a corner and be sure to stop pedaling well before entering the corner. Otherwise you may carry too much speed when entering a corner.
- Ride efficiently and look ahead. Any time braking force is applied, more energy is needed to get the bicycle back up to speed.
- Shift gears regularly to stay in an optimal cadence range and downshift before coming to a stop.
- Reduce pedal force before initiating a gear shift to reduce drivetrain wear.
- Braking while steering may reduce the ability to control your bicycle.
- Check the tire pressure regularly. Low pressure can cause the tires to roll inefficiently.
- Only carry the cargo you need. More weight will drain the battery faster.
- If your bicycle is exposed to cooler temperatures (0 degrees), keep the bicycle stored indoors until just before riding.



WARNING! The motor support is activated as soon as you step onto the pedals and the bicycle is in motion. You should be seated on the bicycle and engage at least one brake before starting to pedal. Do not put one foot on a pedal and throw a leg over the bicycle, as it could accelerate unexpectedly. Failure to follow this warning may result in serious personal injury or even death.



WARNING! The acceleration of an electric bicycle can be faster than anticipated and may feel unusual at first. Before your first ride, you should use the lowest power ECO mode and become familiar with the operation of the electric bicycle by practicing starting and stopping, cornering and navigating obstacles in a safe environment away from other bicycles, pedestrians and/or vehicles. Due to the greater acceleration of an electric bicycle, you should also pay particular attention to terrain conditions as you may approach obstacles faster than expected. Please note the default motor support mode upon startup is always TRAIL mode.



CAUTION: The weight of your Kenevo SL is significantly higher than a bicycle without motor support. Use caution when handling the bicycle (including, but not limited to parking, lifting, pushing, loading it into a car or onto a bicycle carrier and unloading it).

5.2. BEFORE RIDING

Regardless of your experience level, you should read the "FIRST" section of your Owner's Manual (Bike Fit, Safety First, Mechanical Safety Check and First Ride) and carry out all important safety checks. In addition, make sure you are familiar with the following areas of the bicycle that are specific to electric bicycles.

BEFORE YOUR FIRST RIDE:

- BATTERY: Is the battery fully charged?
- TCU DISPLAY: Are you familiar with the function of the display features?
- REMOTE: Are you familiar with the function of the buttons on the remote?

BEFORE EVERY RIDE:

- BATTERY: Do you have sufficient battery charge?
- TCU DISPLAY: Is the display functioning correctly?
- REMOTE: Do you know how to use the remote to change the motor support level from OFF to ECO to TRAIL to TURBO?



WARNING! If your battery, charger or other component exhibits any signs of damage, do not use the bicycle and immediately bring it to your Authorized Specialized Retailer for inspection.

5.3. KNOW YOUR RANGE

Know the range of your electric bicycle before you start your ride. You can calculate your range by visiting www.specialized.com, selecting your Turbo bicycle model, then clicking on the range calculator. In addition to the range calculator, we recommend using the Smart Control feature in the Mission Control App to control your range.

5.4. REMOVABLE YELLOW STICKER

Your Kenevo SL bicycle has a removable yellow sticker adhered to the frame, stating the bicycle serial number. Remove this sticker from the bicycle and place it on the last page of this manual for future reference.


5.1





5.5. RIDING WITH KIDS

There are many different setups that allow you to ride with kids. Please look at the Riding Safety section in the Owner's Manual regarding general information and instructions on child carriers or trailers.

If you regularly ride with kids on your bicycle, your Authorized Specialized Retailer should conduct a periodic safety inspection.

 **WARNING!** Riding with kids on your bicycle will affect the handling by altering the center of gravity, weight and balance. It may also negatively impact your cornering ability, increase your stopping distance and reduce your ability to slow down and maneuver, especially at higher speeds or down a steep grade. All of this can result in a loss of control, potentially causing serious injury and/or death. You should also become familiar with and practice riding with the accessory in a controlled environment away from traffic.

 **WARNING!** Do not attach a child carrier, trailer or similar accessory to a composite or carbon fiber part or component, either directly or indirectly. For example, do not attach a trailer to a rear axle when the rear triangle is made of composite or carbon fiber. Likewise, do not attach a trailer cycle to a composite or carbon seatpost or a child carrier to a composite or carbon fork. Either may potentially apply unusual forces on your bicycle frame or component which could result in damage and cause a complete failure, with the risk of serious injury or death. If you have previously attached an accessory to a composite or carbon fiber part or component, do not ride until you have had your Authorized Specialized Retailer conduct a careful safety inspection.

 Before riding with kids on your bicycle, please inform yourself of all applicable legal requirements and regulations in your country and state. There may be restrictions on riding your bicycle with certain or any accessory(ies). This is especially true for electric and pedal-assist bicycles.



WARNING! Specialized bicycles are only designed and tested for use by one person at a time. Carrying a child on your Specialized bicycle is at your own risk. If you choose to install an accessory on your Specialized bicycle such as a trailer, carrier, or trailer cycle, make sure it is compatible and refer to the manufacturer's instructions and your Authorized Specialized Retailer. You should make sure your bicycle is still safe to ride with the accessory installed. Be sure to not exceed the structural weight limit of the bicycle when using a trailer, trailer cycle or child carrier. Also make sure not to exceed the maximum cargo weight when using a child carrier.

6. GENERAL NOTES ABOUT ASSEMBLY

This manual is not intended as a comprehensive assembly, use, service, repair or maintenance guide. Please see your Authorized Specialized Retailer for all service, repairs or maintenance. Your Authorized Specialized Retailer may also be able to refer you to classes, clinics or books on bicycle use, service, repair, and maintenance.



WARNING! Due to the complexity of the Kenevo SL bicycle, proper assembly requires a high degree of mechanical expertise, skill, training, and specialty tools. Therefore, it is essential for your safety that the assembly, maintenance, and troubleshooting be performed by an Authorized Specialized Retailer. Before your first ride, make sure your components, such as brakes and drivetrain, are assembled and adjusted in accordance with the manufacturer's instructions and are functioning properly.



WARNING! Many components on the Kenevo SL, including, but not limited to the motor, battery, and cable guides, are proprietary to the Kenevo SL. Only use originally supplied components and hardware at all times. Use of other components or hardware will compromise the integrity and strength of the assembly. Kenevo SL specific components should only be used on the Kenevo SL and not on other bicycles, even if they fit. Failure to follow this warning could result in serious injury or death.



WARNING! Never modify your frame or bicycle in any way. Do not sand, drill, file, or remove parts from your bicycle. Do not install incompatible components or hardware. Failure to follow this warning may result in serious personal injury or death.



WARNING! Electrical components can be exposed when working on your bicycle. Do not touch any part of the electrical system while under electric charge. Do not expose the connections of the battery and frame to water. If any live components or the battery are damaged, stop riding immediately and bring your bicycle to your Authorized Specialized Retailer.

6.1. HEADSET BEARINGS

- The headset uses a 1 1/8" (42 mm x 30.5 x 8 mm, 45 x 45°) Campagnolo Standard compatible upper bearing and a 1.5" (52 mm x 40 x 7 mm, 45 x 45°) lower bearing. Ensure that replacement bearings are compatible with the Specialized headset specification.

- No tools are needed for installation or removal of both bearings. Grease the bearing surfaces before installation.
- For more information on the installation of the headset bearings see [section 14](#) in this manual.



WARNING! Burrs and sharp edges can damage the carbon and alloy surfaces of the components. Any deep scratches or gouges in the stem or fork can weaken the components.

6.2. SEATPOST

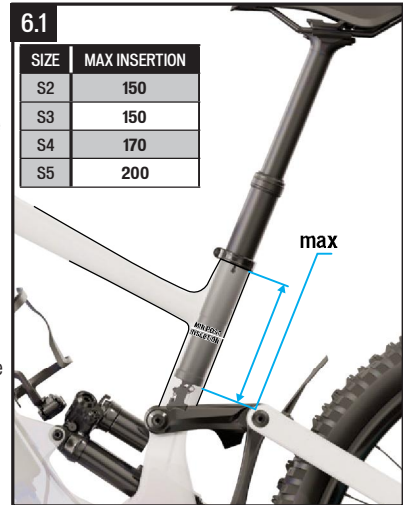
SEATPOST MINIMUM INSERTION:

Both the frame and seatpost have minimum insertion requirements. In addition, the frame has a maximum insertion requirement to prevent damage to the frame and seatpost.

- **MINIMUM INSERTION:** The seatpost must be inserted into the frame deep enough so the minimum insertion/maximum extension (min/max) mark on the seatpost is not visible. The frame requires a minimum of **80 mm** of insertion.

- **MAXIMUM INSERTION:** The seat tube is reamed to a specified maximum insertion depth for each frame size. This rear depth limits the insertion depth of the seatpost. Please refer to the table in Fig.6.1.

- If the desired seat height cannot be achieved within the minimum and maximum insertion requirements, the seatpost should be replaced for a shorter or longer one.
- Once the saddle height is determined, torque the seatpost collar bolt to **55 in-lbf / 6.2 Nm**.





TECH TIP: The fit between the seatpost and the seat tube must allow the seatpost to slide into the seat tube smoothly and without twisting, but not so loosely that there's excessive side-to-side play/wiggle. Any fit and/or torque issues should be inspected by your Authorized Specialized Retailer. If the seatpost does not fit properly or moves in the frame even though it is torqued to spec, you should have it inspected by your Authorized Specialized Retailer.



TECH TIP: Do not apply grease to the contact surfaces between the seatpost and the seat tube. Grease reduces friction, which is critical to proper seatpost grip. Specialized recommends the application of carbon assembly compound (fiber paste), which can increase friction between carbon surfaces. Please visit your Specialized Authorized Retailer for additional information.



TECH TIP: The specified ream depths are listed in the table in Fig.6.1. The tolerance of the ream depth can vary from frame to frame. Install a regular **34.9** seatpost in the seat tube to verify the actual ream depth of the frame.



INFO: The seat tube is designed for a **34.9 mm post but a smaller diameter seatpost can be used with a shim.**



WARNING! Failure to follow the seatpost and frame insertion requirements (Fig. 6.1) may result in damage to the frame and/or seatpost, which could cause you to lose control and fall.

If the seatpost is cut short, the min/max mark on the seatpost may no longer be accurate. Before cutting the seatpost, note the min/max depth required by the seatpost manufacturer.



WARNING! For general instructions regarding the installation of the seatpost, refer to the appropriate section in the Owner's Manual. Riding with an improperly tightened seatpost can allow the saddle and seatpost to slide down, which can damage the frame and cause you to lose control and fall.



WARNING! Inspect the seatpost and seat tube to ensure that there are no burrs or sharp edges. Remove any burrs or sharp edges using fine-grit sandpaper.



CAUTION: If a cable-actuated seat post is inserted too far into the seat-tube, the housing can be damaged and cause the seat post to not function properly.

6.3. DERAILEUR HANGER

The Kenevo SL frame uses the SRAM UDH (Universal Derailleur Hanger) at the rear dropout. This hanger must be installed following SRAM's installation instructions. Please refer to the installation steps in Section 16, or refer to the SRAM UDH User Manual.

6.4. SPEED SENSOR

The Kenevo SL is equipped with a Speed Sensor magnet, located on the rear hub/disc rotor interface. Dirt and/or metal debris may accumulate on the Speed Sensor magnet. Too much accumulation may result in interruptions in motor support and/or inaccurate speed readings. Regularly check your Speed Sensor magnet for an accumulation of dirt and/or metal debris, and clean accordingly. The frequency of the cleaning depends on your riding conditions, ride frequency and/or brake pad material. Removing metal debris may require the use of a magnet stronger than the Speed Sensor magnet.

When assembling the rear brake disc, the Speed Sensor Magnet must be installed on the rotor. Four of the six bolts are standard rotor bolts. The remaining two bolts (M5 x 0.8 pitch x 15 mm length, with countersunk flat head) attach the Speed Sensor Magnet to the rotor.

6.5. CHAIN GUIDE

The Kenevo SL chain guide is aligned during the production process and does not require realignment or setup.

- If the chain guide is removed take note of the number of spacers behind as they will need to be replaced to maintain original alignment.
- To remove the chain, you must remove the connecting link of the chain.

6.6. STEM

Some Kenevo SL models are equipped with an Alloy Trail Stem.



WARNING! The stem is designed with no gap between the stem body and the faceplate at the upper bolt area. The upper bolts must be tightened such that the faceplate bottoms out against the stem body before being torqued. Failure to bottom out the faceplate against the stem body can result in structural damage to the handlebar.

6.2

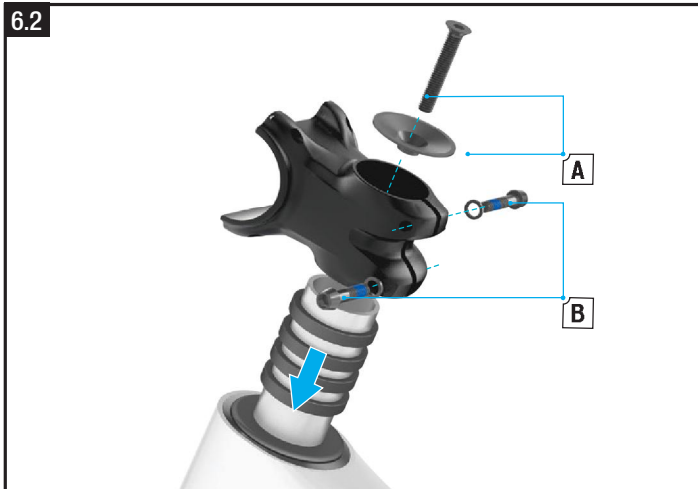


Fig. 6.2

- Install the stem on the steerer tube, followed by the top cap and bolt (A), then tighten the top cap bolt.
- Align the stem with the front wheel and torque the rear stem bolts (B) to specification.

6.3

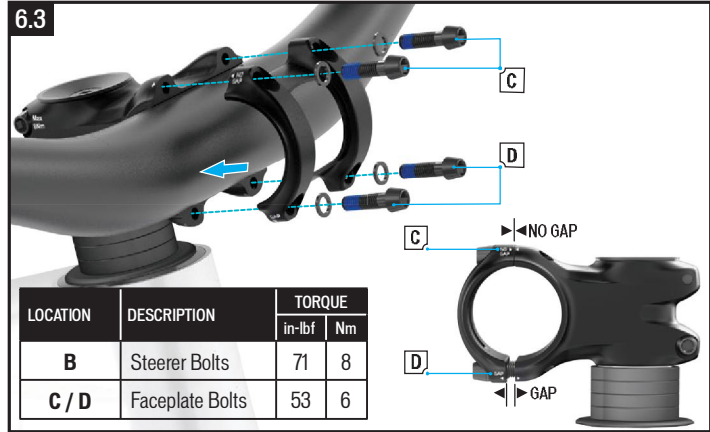


Fig. 6.3

- Loosely thread the stem bolts through the faceplate and into the stem body.
- Position the handlebar to the desired position.
- Gradually torque the upper bolts to spec alternating from the left to right bolt to evenly increase the torque until the spec is reached (C).
- Gradually torque the lower bolts, alternating from the left to right bolt to evenly increase the torque until the spec is reached (D).
- Check the handlebar is installed correctly by rotating the handlebars up and down, then twisting the handlebars side to side while holding the front wheel. If there is any movement the stem is not sufficiently tightened and should be re-torqued.



WARNING! Burrs and sharp edges can damage the carbon and alloy surfaces of the components. Any deep scratches or gouges in the stem or fork can weaken the components.

CAUTION: All edges of the stem in contact with the steerer tube should be rounded out to eliminate any stress points.

6.7. TCU / HANDLEBAR

The TCU 2 sits above the top tube and has the potential to be struck by the handlebar or stem when the handlebar is rotated fully. When assembling the bike, make sure to have enough clearance between the handlebar, stem, and the TCU 2.

The number of spacers below the stem necessary to clear TCU 2 will depend on several factors. These include stem model/length/orientation, and headtube angle adjustment position.

6.8. MOTOR COVER

6.4

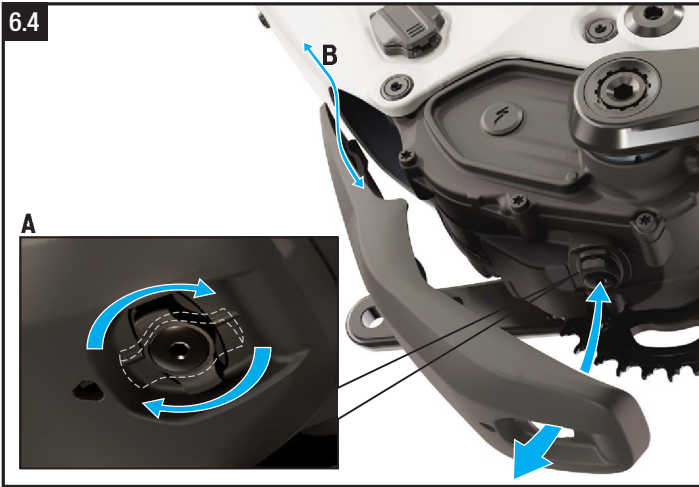


Fig. 6.4




- The motor cover is easily removed and replaced. To remove, twist the latch located at the bottom of the cover 90 degrees (A) then pull the cover down and back until the forward hook clears the end of the downtube (B).

7. GENERAL NOTES ABOUT MAINTENANCE

The KENEVO SL is a high-performance bicycle. All regular maintenance, troubleshooting, repair, and parts replacement must be performed by an Authorized Specialized Retailer. For general information regarding the maintenance of your bicycle, please refer to the Owner's Manual. In addition, routinely perform a Mechanical Safety Check before each ride, as described in the Owner's Manual.

- Great care should be taken to not damage carbon fiber or composite material. Any damage may result in a loss of structural integrity, which may result in a catastrophic failure. This damage may or may not be visible during inspection. Before each ride, and after any crash, you should carefully inspect your bicycle for any fraying, gouging, scratches through the paint, chipping, bending, or any other signs of damage. Do not ride if your bicycle shows any of these signs. After any crash, and before you ride any further, take your bicycle to an Authorized Specialized Retailer for a complete inspection.
- While riding, listen for any creaks, as a creak can be a sign of a problem with one or more components. Periodically examine all surfaces in bright sunlight to check for any small hairline cracks or fatigue at stress points, such as welds, seams, holes, and points of contact with other parts. If you hear any creaks, see signs of excessive wear, discover any cracks, no matter how small, or any damage to the bicycle, immediately stop riding the bicycle and have it inspected by your Authorized Specialized Retailer.
- Lifespan and the type and frequency of maintenance depends on many factors, such as use, rider weight, riding conditions and/or impacts. Additionally, the KENEVO SL uses a power-assisted drive system, which means more distance is covered in the same amount of time. Components may be subject to increased wear at different rates, depending on the component. Drivetrain and brake components are especially subject to wear. Periodically have your Authorized Specialized Retailer inspect your bicycle and components for wear.
- Exposure to harsh elements, especially salty air (such as riding near the ocean or in the winter), can result in galvanic corrosion of components such as the crank spindle and bolts, which can accelerate wear and shorten the lifespan. Dirt can also accelerate wear of surfaces and bearings. The surfaces of the bicycle should be cleaned before each ride. The bicycle should also be maintained regularly by an Authorized Specialized Retailer, which means it should be cleaned, inspected for signs of corrosion and/or cracks and lubricated. If you notice any signs of corrosion or cracking on the frame or any component, the affected item must be replaced.

- Regularly clean and lubricate the drivetrain according to the drivetrain manufacturer's instructions.
- Do not use a high pressure water spray directly on the bearings. Even water from a garden hose can penetrate bearing seals and crank interfaces, increasing bearing and crank wear. Use a clean, damp cloth and bicycle cleaning agents for cleaning.
- Do not expose the bicycle to prolonged direct sunlight or excessive heat, such as inside a car parked in the sun or near a heat source such as a radiator.
- From time to time, clean the Speed Sensor magnet on the rear wheel with a soft cloth. Depending on your ride conditions and brake pad choice, dirt and/or metal shavings can collect on the Speed Sensor magnet, which could lead to interruptions in motor support or wrong speed readings.

	<p>WARNING! Failure to follow the instructions in this section may result in damage to the components on your bicycle and will void your warranty, but, most importantly, may result in serious personal injury or death. If your bicycle exhibits any signs of damage, do not use it and immediately bring it to your Authorized Specialized Retailer for inspection.</p>
	<p>WARNING! Use a repair stand to support the bicycle during assembly or maintenance, and a bicycle rack for transportation.</p> <p>When placing the frame and/or bicycle in a repair stand, clamp the stand to the seatpost and not the frame. Clamping the frame can cause damage to the frame that may or may not be visible, and you may lose control and fall.</p>
	<p>WARNING! Always turn off the battery when not in use and/or when working on the bicycle.</p>
	<p>CAUTION: Do not open the motor assembly. The motor assembly is a sealed maintenance-free system. Any work on the motor assembly must be performed by a Specialized Service Center.</p>

7.1. REPLACEMENT PARTS AND ACCESSORIES

Specialized replacement parts and accessories are available through your Authorized Specialized Retailer.

8. SYSTEM INTERFACE

Your Kenevo SL is equipped with a TCU 2 display.



The functionality of the system interface as summarized in this manual is current as of the date this manual was written and is subject to change. Specialized reserves the right to change the functionality at any time and without notice, including modifying, reducing, and/or adding features.



WARNING! Use caution when viewing or using the display while riding, as it can be distracting and can lead to accidents. You should always stop before changing settings or operating the various functions of the display.

8.1. TURBO CONNECT UNIT 2 (TCU 2)

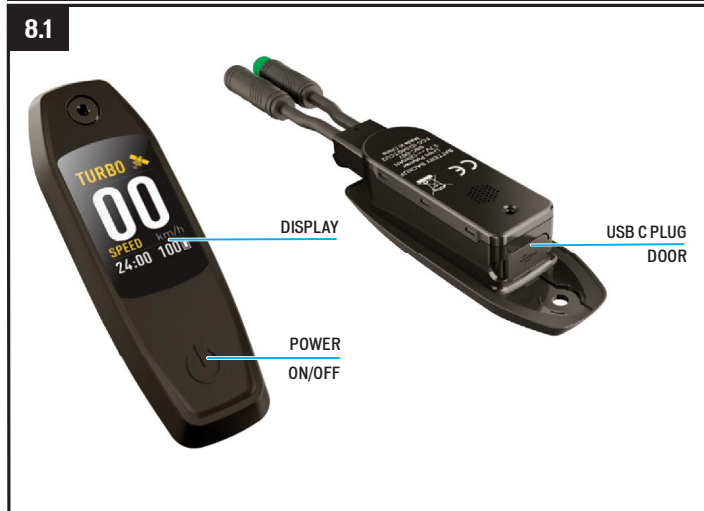


Fig. 8.1

The Kenevo SL is equipped with the TCU 2 display. The display turns on the system, provides information on the display, and has GPS tracking capabilities.

- The TCU 2 has customizable screens that show options such as Speed, Battery Charge Level, Mode, Heart Rate, and more.
- To fully customize the setup of the TCU 2, pair your bicycle to Mission Control and adjust your preferred settings in the app.
- You are also able to set up units, date and time, see legal information, and pair sensors on the TCU display directly by pressing and holding the (+) and (-) button on the remote for two seconds. To navigate and adjust the settings on the TCU 2 use the remote (+), (-), F1, and F2 buttons.
- For more information on connecting to and using Mission Control, see section 9 of this manual.

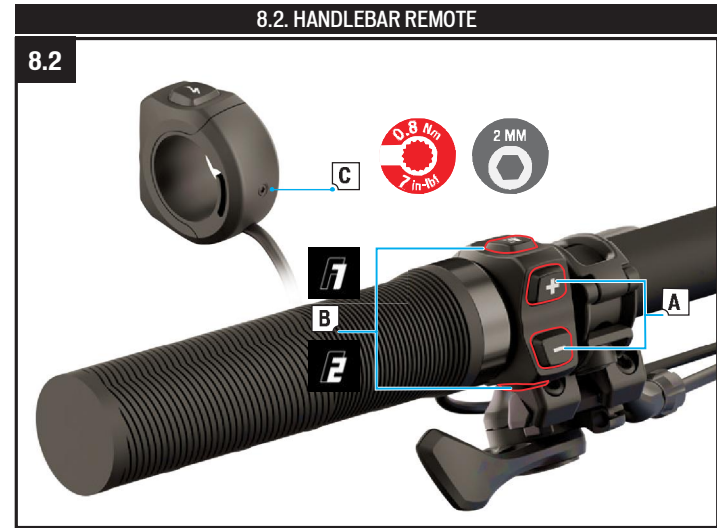


Fig. 8.2

The TCU 2 handlebar remote controls the level of motor support and controls the functions and scrolling of the TCU 2 display.

- A: (+ -) Support adjustment buttons. (Scrolling and setting up of the TCU 2)
- B: Function Buttons F1 and F2. (Scrolling and setting up of the TCU 2) Pressing and holding the F2 button activates the walk-assist mode.
- C: Compression Screw (2 mm Hex Key 0.8 Nm 7 in-lbf).

8.3. STARTING THE SYSTEM ON THE TCU

8.3



Fig. 8.3

- To start the system, press and hold the POWER button located on the TCU 2 top tube display unit, until the display turns on.
- To power off the system, press the POWER button and the display turns off.



If the system does not power on after a long period on non-use, remove the TCU 2 from the top tube and charge the TCU 2 via a USB-C cable.

8.4. SUPPORT MODES

The Kenevo SL motor offers 6 Assist Modes, TURBO, TRAIL, ECO, OFF, SMART CONTROL, and MICRO TUNE mode.

NORMAL BIKE ASSIST MODES:

- TURBO MODE: Maximum power mode for high speed sections and climbing.
- TRAIL MODE: Maximum control, with sufficient power on demand.
- ECO MODE: Most efficient mode for maximum range while offering good power.
- OFF MODE: The motor will not offer any assistance, but the display and lights will still function.
- SMART CONTROL MODE: The motor, while pedaling, adjusts the power output based on the ride parameters determined in the Mission Control App.

8.4



Fig. 8.4

- When changing support modes the color on the display will change based on the support mode selected for quick reference.



INFO: The SMART CONTROL function icon will only be visible on the TCU 2 when the bicycle is connected to the Mission Control App and is in SMART CONTROL mode.

MICRO TUNE MODE:

- Long pressing the (+) button on the remote will switch to Micro Tune mode, this mode allows you to change the level of support in small increments while riding.
- To switch out of infinite tune long-press the (+) button again.

8.5. CHANGING SUPPORT MODES ON THE REMOTE



Fig. 8.5

- **A - F1 BUTTON:**
 - Toggles pages on the TCU 2.
 - Settings & Menu navigating.
- **B - F2 BUTTON:**
 - Pressing and holding activates the walk-assist mode. This provides motor assist at 6 km/h / 3.7 mph to help push the bicycle uphill when walking.
 - Settings & Menu navigating.

- **C - (+) BUTTON:**
 - Short press increases the amount of support.
 - Long press toggles standard modes and Micro Tune mode.
- **D - (-) BUTTON:**
 - Short press decreases the amount of support.
 - Long press resets the trip.
- **C&D - (-+) DUAL BUTTON PRESS:**
 - Long dual press opens the settings menu on the TCU2.

NOTE: On the remote, after reaching the strongest or weakest mode, the system will not continue to switch. To reduce from TURBO to TRAIL to ECO to OFF, you have to press the - button. To increase from OFF to ECO to TRAIL to TURBO, you have to press the + button.

8.6. CONNECTIVITY OPTIONS

The Turbo Technology System provides a high degree of interface flexibility through Bluetooth and/or ANT+ connectivity.

BLUETOOTH LOW ENERGY (BLE)

- BLE is used for connecting to the bike to the Mission Control app.

ANT+

- ANT+ can be used to connect to the sensors for Speed, Rider Power, and Cadence. The sensor data can be received via the ANT+ module built into the TCU.
- In your ANT+ device, search for those sensors and connect to them.
- Some bicycle-specific ANT+ devices feature so-called "LEV" data fields you can use to see all available e-bike data.

8.7. ERROR CODES

8.7



Fig. 8.8

TCU 2 equipped bikes have a built-in diagnostic system to automatically check and identify the functionality of the system. If the system detects an error, the TCU 2 will show the error on the display. In some cases, the error message can be dismissed by pushing any button on the remote.

Depending on the type of error message, the system may be switched off automatically. If you receive an error message, please restart the system. If the error message continues to be shown, please contact your Authorized Specialized Retailer for further instructions. In any case, the bicycle can be ridden without motor support, with the system turned off.



Mission Control supports the rider with User Actions for errors and diagnostic reports which can be shared with Retailers who can give further advice based on the bicycle serial number.

8.8. FACTORY RESET

When a new or used bicycle is sold, a factory reset should be performed, including resetting the peak power and support mode settings.

8.8

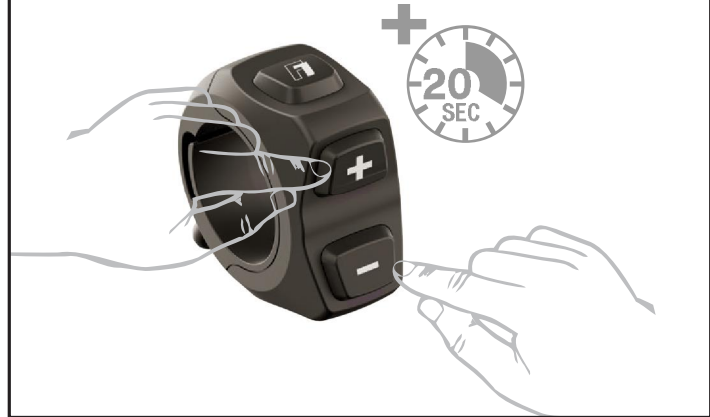


Fig. 8.8

- Dual press and hold the (+) and (-) buttons on the remote for 20 seconds.
- Release the buttons when the TCU 2 reboots.

9. MISSION CONTROL

The Specialized Mission Control App enables you to further enhance your Kenevo SL ride experience to your personal needs.

Most importantly, the app allows you to customize motor characteristics, diagnose the bicycle system, record rides, see real-time ride data, and control bicycle range.



INFO Functionality of the Mission Control App is subject to change without notice. Make sure you have the latest version of the app installed on your mobile device. Refer to the app itself for the latest information and features.

9.1. MISSION CONTROL FUNCTIONS

The following information will help you understand how to get the most out of your Turbo with our Mission Control App.

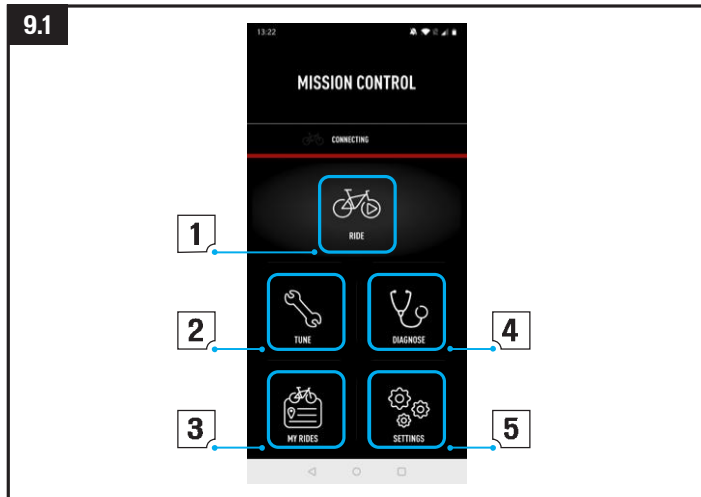


Fig. 9.1

■ 1: RIDE:

Record your rides, route, speed, elevation, and more. See the live map and view live ride data.

Activating Smart Control means the motor and battery output will adjust based on your setting of desired distance, duration, or heart rate goal.

■ 2: TUNE:

Customize and transform your ride by adjusting your motor performance based on Support, Peak Power, Acceleration Response, and Shuttle.

You can save your tune settings as a custom preset by tapping the + symbol. Save multiple presets for your different types of rides. If you later edit the preset value, you can either save the new settings by selecting Update or you can keep the original values by choosing Reset.

■ 3: MY RIDES:

View your recorded rides. With Mission Control integration, rides recorded using the app will be shared to a linked Komoot or Strava account.

■ 4: DIAGNOSE:

System Status tells you, at a glance, if your Turbo system is healthy or if an action is required. The system will provide instructions on how to clear any error codes or refer you to your local Specialized Retailer.

You will also be able to check the Odometer, Serial Number, Wheel Circumference, and charge cycles.

■ 5: SETTINGS:

In Settings, you can define general app parameters and connect/ manage to your bicycle. Edit your user profile, along with options for your ride settings, including integration to STRAVA or Komoot.



INFO: The Mission Control app is constantly being improved which leads to changes in particular sections of the app that might not be reflected in this manual. Use the in-app guide in Mission Control (Section 9.2) to update yourself with all new information and updates.

9.2. IN-APP HELP GUIDE

9.2

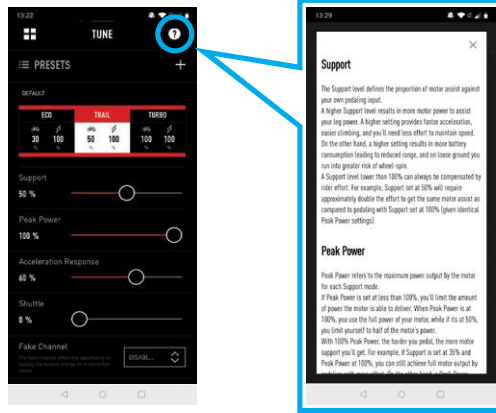


Fig. 9.2

More in-depth information can be found on the individual screens within the app. You'll be able to access the in-app help guide by tapping on the (?) button in each section of Mission Control. This in-app help guide holds explanations on the key terms and features related to the individual screens. To view this feature, you must be connected to the Internet.

9.2. DOWNLOAD AND INSTALL MISSION CONTROL

To download the Mission Control app, go to the App Store (iOS devices) or the Google Play Store (Android devices), search for "Specialized Mission Control," and then install the application. Once you've installed the Mission Control app, you can sign in using the same email address and password for other Specialized digital properties (Specialized.com, Ride, Power Cranks, Retül) or you can create an account from the app. A verification email will be sent to you with a link to verify your account. Only after verifying your email will you be able to connect Mission Control to your bicycle.

9.3. PAIRING YOUR BIKE WITH MISSION CONTROL

When connecting to the Mission Control App for the first time, you need to pair using a code with your Kenevo SL. The code serves as a security measure since it ensures that only you as the bicycle owner, or entrusted people you share the code with, can connect to the bicycle.

9.3

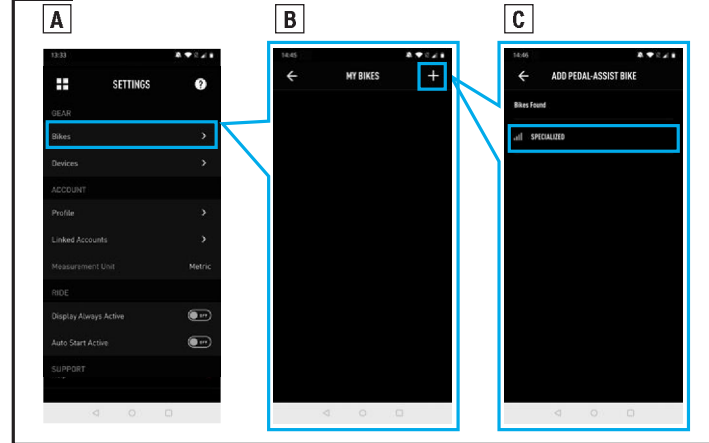


Fig. 9.3

- In the Mission Control App settings, select BIKES, then tap (+) to get to the ADD PEDAL ASSIST BIKE screen.
- Select the bicycle serial number that matches the bicycle you are pairing to. The bicycle serial number can be found on the frame or the removable yellow sticker.
- When the app prompts you, to confirm the six-digit pairing code. The code will be displayed on the TCU 2 display. Follow the instructions displayed on the TCU 2 and in-app messages to complete the connection.

- Once connected, the bicycle serial number will appear in green at the bottom of the screen, with the connection status being displayed in green as "connected".
- A connection with your bicycle only needs to be established once via the Mission Control App, unless you clear your device Bluetooth history.

9.5. CUSTOMIZING THE TCU 2 DISPLAY

The TCU 2 is shipped with multiple standard screen configurations. With Mission Control you can add more screens, customize the layouts, rename them and change the stats displayed.

10. BATTERY AND CHARGER

The KENEVO SL battery is fitted inside the down tube and can only be removed by first removing the motor. Any work required on the motor and battery should be carried out by an Authorized Specialized Turbo Retailer.

Your bicycle is powered by a Lithium-Ion (Li-Ion) battery. Always adhere to the following instructions when handling or charging the battery or when using the KENEVO SL bicycle:

- Only operate the battery between the temperature range of **-20° C (-4° F) and +60° C (+140° F)**.
- Only use the KENEVO SL battery with the KENEVO SL bicycle. Do not use the KENEVO SL battery with any other bicycle or any other battery with the KENEVO SL bicycle, even if it fits.
- Always turn the bicycle off before connecting or disconnecting the charger or the RE from the charge port.
- Do not modify, open or disassemble the battery or charger. Modification or disassembly may result in a short circuit, fire or malfunction.
- The battery is very heavy. Be careful when handling it and do not drop it.
- Do not allow any nails, screws or other small, sharp and/or metallic objects to come in contact with the battery or the battery's charging socket.
- Do not allow the battery to overheat. Protect the battery from excessive sun exposure.
- Do not expose the battery to an open fire or radiator heat.
- Do not submerge the battery in water.
- Keep the battery away from metal objects as that can cause a short-circuit.
- Do not use a battery that shows any signs of damage to the casing or charge port, or is leaking any fluids. Battery liquid can cause skin irritation and burns. In the event of damage that results in skin or eye contact with any liquid from the battery, immediately flush with water and seek medical assistance.
- Turn off the battery and unplug the charger or RE from the charge port before performing work of any kind, such as installation, maintenance, cleaning and/or repair. Touching the contacts when the bicycle is ON can result in electric shock and/or injury.
- When fully charged, the charger should be disconnected. The battery should not be left charging overnight.



WARNING! Failure to follow the instructions in this section may result in damage to electrical components on your bicycle and will void your warranty, but, most importantly, may result in serious personal injury or death. If your battery or charger exhibits any signs of damage, do not use it and immediately bring it to your Authorized Specialized Retailer for inspection.

10.1. CHARGING AND USING THE BATTERY

- Regularly inspect the battery and charger for damage. Never charge a battery which you suspect is damaged or know is broken, and do not use it.
- Make sure the charging socket and plug are clean and dry before connecting and charging the battery.
- Only use the supplied charger cord. Ensure the cord plug is fully inserted in the charger before plugging the charger into a power outlet.
- Only use the Specialized charger supplied with the bicycle or other chargers approved by Specialized. Inspect the charger before every use for possible damage to the charger itself, the cable or the charging plug. Never use a charger which you suspect is damaged or know is broken.
- You should charge the battery in a dry, well ventilated area and make sure the battery and charger are uncovered during the charging process. Ensure that the battery and charger are not exposed to any flammable or dangerous substances.



WARNING! Failure to follow the instructions in this section may result in damage to electrical components on your bicycle and will void your warranty, but, most importantly, may result in serious personal injury or death. If your battery or charger exhibits any signs of damage, do not use it and immediately bring it to your Authorized Specialized Retailer for inspection.

10.2. CHARGING THE BATTERY



WARNING! Place the charger and battery if removed from the frame on a stable, level surface unaffected by heat. You should charge the battery in a dry, well-ventilated area and make sure the charger is uncovered during the charging process. Ensure that the battery and charger are not exposed to any flammable or dangerous substances. Plug the charger's plug into an outlet (100 - 240V), using the appropriate plug for the country's standards, then connect the charging plug with the charging socket on the battery. Specialized recommends charging the battery in an area with a smoke detector.



CAUTION: Always turn off the bicycle before plugging or unplugging the charger or RE!



INFO: Only charge the battery at an ambient temperature between 0° C and +45° C (+32° F and +113° F). If outside temperatures are too hot or too cold, charge the battery inside. For safety reasons, if the battery is too hot or too cold, it will not charge.

- Plug the charger's plug into an outlet (100 - 240V), using the appropriate plug for the country's standards.
- Power off the bicycle on the TCU 2.

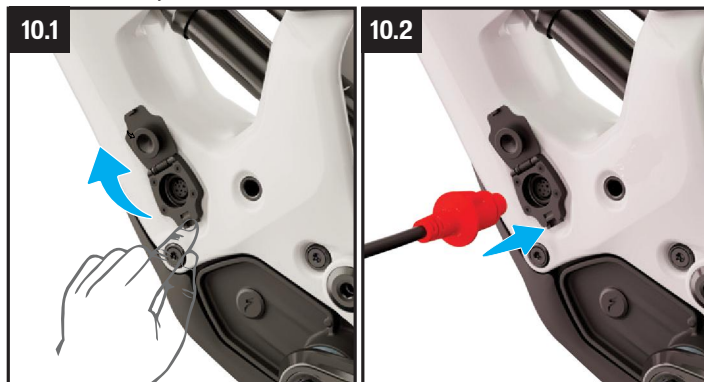


Fig. 10.1

- Locate the charge port on the non-drive-side of the frame, near the bottom bracket and open the charge port lid

Fig. 10.2

- Insert the charging plug into the charge port, use the arrow on the connector as guidance for the correct orientation.
- When charging is complete, disconnect the charging plug from the charge port.
- Close the charge port lid to seal it against water and debris.
- Unplug the charger from the wall socket.



CAUTION: Always fully close the charge port cover after charging and during riding. It should remain only open when the optional RE is plugged in.

10.3

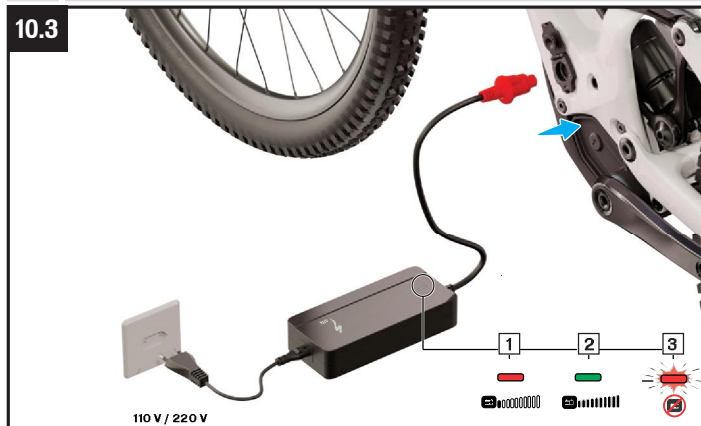


Fig. 10.3

During the charging process, the diode on the charger will glow red (1). When the battery is fully charged, the diode on the charger will turn green (2).



CAUTION: If the red diode flashes during the charging process (3) a charging error has occurred. In that case, remove the charger from the socket, discontinue use of the motor support and contact your Authorized Specialized Retailer.



INFO: The Battery Management System (BMS) is designed to protect a fully discharged battery from damage for a period of time. However, in order to maintain the best possible battery performance and lifespan, when not in use, Specialized recommends regularly recharging the battery to approximately 60% full.



INFO: Please note that Li-ion batteries gradually lose capacity depending on age and use. Strongly reduced operating time after fully charging can be a sign that the battery is reaching the end of its useful life and has to be replaced. Provided the bicycle has been used properly, approximately 75% of the battery's original capacity should remain after 300 charging cycles or two years. Replacement batteries can be purchased from your Authorized Specialized Retailer.

10.4. CHARGE LEVEL DISPLAY

The charge level of the battery is permanently displayed during your ride.



Fig. 10.4

The charge level of the battery is displayed during your ride on the LED screen and can be displayed on various pages on the TCU.

- At 15% - 20% battery charge remaining, the system will start to reduce the amount of motor support to ensure continuous assistance at lower charge levels. At 3% - 5%, the system switches off motor support, leaving the bike powered on. This not only supports battery health and lifetime, it also allows you to keep wired lights powered for about 2 hours.
- The timing of the motor shut-off may slightly vary depending on cell temperature or discharge scenario (e.g. single vs. parallel discharge).
- If your bicycle is at a standstill for at least 15 minutes, the system will turn itself off to save power. In order to continue riding with support, you have to turn the system on again.

10.5. CLEANING

- Always turn the battery off and remove the charger from the charge port and wall socket before cleaning the bicycle.
- Make sure the charge port is properly closed before washing.
- If your bicycle is fitted with a RE, remove the connector from the charge port and close the charge port before cleaning.
- Make sure the charge port is free from water and/or dirt, the port should be clean before use. Make sure the system is switched off before cleaning. Blow out the contamination with low air pressure or use a soft brush to remove dry contamination.
- Make sure the charge port is completely dry before connecting the charger or the RE. Always close the charge port when the internal battery is not being charged or the RE is not in use.

CAUTION: Never use a high-pressure cleaner or hose when cleaning your KENEVO SL. Best practice is to use a bucket of water with a wet cloth or a sponge to remove dirt, then dry off all surfaces with a clean towel.



For instructions on how to clean drivetrain components, please refer to the drivetrain manufacturer's instructions. Make sure connectors are dry and clean before reconnecting and riding. Ask your Authorized Specialized Retailer for additional information about cleaning your bicycle.



CAUTION: Do not use alcohol, solvents or abrasive cleaners to clean the charger. Instead, use a dry or slightly damp cloth.

10.6. STORAGE



CAUTION: If the bicycle is not being used for an extended period of time, store it in a dry, well ventilated area. Only store the battery at an ambient temperature below **+35° C (+95° F)**.



CAUTION: If the Bicycle or optional RE battery is stored and not in use for extended periods of time, be sure to charge the battery at least every three months to approximately 30-39% charge. If the battery is not charged over a period longer than three months, it can cause damage to the battery.



INFO: Do not leave the battery connected to the charger for extended periods after the battery is charged.

10.7. TRANSPORT



INFO: Transporting and/or shipping your KENEVO SL battery may be subject to certain restrictions and may require special handling, labeling, and/or packaging. Be sure to inform yourself beforehand of all applicable legal requirements and regulations in your country or state. Your Authorized Specialized Retailer may also have helpful information available. When carrying the battery outside the frame, Specialized recommends using an approved battery transport box.

The battery charge should be approximately 30%.



CAUTION: Be aware that your KENEVO SL bicycle is significantly heavier than a bicycle without motor support. Use caution when handling, carrying or lifting your KENEVO SL bicycle.

10.8. DISPOSAL



Batteries and chargers must not be disposed of in your household trash! All batteries and chargers must be disposed of in an environmentally friendly manner, in accordance with the battery disposal regulations in your country or state. Ask your Authorized Specialized Retailer for information about how to dispose of a battery or charger and any applicable take-back program.

10.9. BATTERY TECHNICAL DATA

DESCRIPTION	UNIT	SPECIFICATION	
		SBC - B15	SBC - B16 (RE)
OPERATING VOLTAGE	V	48	48
CHARGING TEMPERATURE	°C	0 – +45	0 – +45
	°F	+32 – +113	+32 – +113
OPERATING TEMPERATURE	°C	-20 – +60	-20 – +60
	°F	-4 – +140	-4 – +140
STORAGE TEMPERATURE	°C	-20 – +60	-20 – +60
	°F	-4 – +140	-4 – +140
DEGREE OF PROTECTION		IPX6	IPX6
WEIGHT	KG	1.85	1
	LB	4	2.2
RATED CAPACITY	AH	6.7 AH	3.35 AH
ENERGY	WH	320 WH	160 WH
CHARGE TIME		2:35	3:20

10.10. CHARGER TECHNICAL DATA

DESCRIPTION	UNIT	SPECIFICATION
CHARGER MODEL NUMBER		SBC-C06
CHARGING TEMPERATURE	°C	00 – +40
	°F	32 – +104
STORAGE TEMPERATURE	°C	-20 – +65
	°F	-4 – +149

OPERATING VOLTAGE	V	54
AC INPUT VOLTAGE	V	100 – 240
FREQUENCY	Hz	50 / 60
MAX CHARGE CURRENT	A	3
DIMENSIONS	mm	177 X 78 X 38.5

The range of the battery can vary considerably depending on the model/capacity of the battery and riding conditions, such as the gradient of your route and the support mode. See “GENERAL NOTES ABOUT RIDING” in section 5 for additional information about battery range and tips on maximizing range.

WARNING! Fig. 10.5 is a copy of the battery label which is supplied with your bicycle, familiarize yourself with the information before first use.

10.5



11. SPECIFICATIONS

11.1. GENERAL SPECIFICATIONS

ITEM	PART #	SPECIFICATION
HEADSET	S182500005	HDS NO.42/ACB/S/F/N 46CONE SPACER.AL COM-PRS RING.UP1.125/LOW1.5 CRMO 45.AL CROWN RACE.ANO MATT BLK
HEADSET CUPS	S202500010	HDS MY21 S.J EVO CARBON HEADSET CUP
SEAT COLLAR	S184700004	STC KCNC. SPL-SC02-386. EXTRUDED. 7075-T6. 38.6MM. SCM435. NONE FINISH BOLT. BOLT CLAMP TYPE
SEAT COLLAR DIAMETER		38.6 mm
SEATPOST DIAMETER		34.9 mm
DERAILLEUR HANGER	S202600002	HGR SRAM AC UDH DERAILLEUR HANGER AL BLACK (00.7918.089.000)
REAR HUB AXLE	S170200003	AXL THROUGH AXLE. JD JD-QR43. 7075-T73 AXLE W/C6801 WASHER. REAR. 148MM SPACING. 172MM LENGTH. 12MM
REAR TIRE MAX		29 x 2.5"
REAR WHEEL TRAVEL		S1=145, S2-S6=150
SHOCK LENGTH / STROKE		210 mm / 50 mm (S1), 55 mm (S2-S6)
SHOCK SAG		16.5 mm (30%)
SHOCK EYELET HARDWARE		8 mm ID x 20 mm W (front) / direct mount rear
MAX FORK TRAVEL		150 mm (S1), 160 mm (S2-S6)
MIN / MAX CHAINRING		28 - 34t
MIN / MAX REAR BRAKE ROTOR		180 mm / 220 mm

CAUTION: Certain chainrings may not have adequate clearance with the chainstay. Verify spacing and chainline before using it.



CAUTION: KENEVO SL frames are available in a 29" configuration, with different wheel/tire and/or fork options. Each of these variables will affect the bottom bracket height and head angle of the frame, as well as the general ride characteristics of the bike. If you decide to make changes to the stock configuration, e.g. changing the tire size or fork travel, please check with your Authorized Specialized Retailer what components, if any, need to change for compatibility.

11.2. SHOCK CUSTOMIZATION

Specialized frames are generally designed and tested to work with the suspension components provided as original equipment. When changing out shocks, be aware certain models of shocks may not be compatible with the frame due to the position of the shock reservoir, size, and/or other compatibility factors, even if they fit. Always check with your Authorized Specialized Retailer or suspension



WARNING! Use of an incompatible shock may cause damage to the shock or the frame and can cause you to lose control and fall.

11.3. MAXIMUM FORK LENGTH, TIRE, AND CHAIN-RING SIZE

WHEEL SIZE	MAX FORK TRAVEL	MAX REAR TIRE SIZE	CHAINRING SIZE
29"	150 mm	27.5 x 2.8 or 29 x 2.6	32 - 34†



WARNING! Only single crown forks with a specified amount of travel or range of travel should be used. Use of different styled forks or forks with longer travel may result in catastrophic failure of the frame which may result in serious personal injury or death.

1 - With the chain guide removed, a 36t chainring can be used.

WARNING! While the frame is generally compatible with tires up to 29" x 2.6 tire dimensions can vary depending on the manufacturer, and not all forks are designed to accept a larger tire. Always check with the fork manufacturer regarding the required clearances.

11.4. TOOLS REQUIRED

■ 2, 2.5, 3, 4, 5, 6, 8 mm ALLEN (HEX) KEYS	■ BLUE THREAD-LOCKER (LOCTITE 243)
■ TORQUE WRENCH (reversible type, for SRAM UDH)	■ GREEN RETAINING COMPOUND (LOCTITE 603)
■ HIGH PRESSURE SHOCK PUMP	■ CABLE AND HOUSING CUTTERS
■ HIGH QUALITY GREASE	■ TORX T10, T25, T30 DRIVER

11.5. BOLT SIZE / TOOLS / TO TORQUE SPECIFICATIONS



WARNING! Correct tightening force on fasteners (nuts, bolts, screws) on your bicycle is important for your safety. If too little force is applied, the fastener may not hold securely. If too much force is applied, the fastener can strip threads, stretch, deform or break. Either way, incorrect tightening force can result in component failure, which can cause you to lose control and fall.

Where indicated, ensure that each bolt is torqued to specification. After your first ride, and consistently thereafter, recheck the tightness of each bolt to ensure secure attachment of the components. The following is a summary of torque specifications in this manual:

LOCATION	TOOL	TORQUE	
		(Nm)	(in-lbf)
SEAT COLLAR	4 mm HEX	6.2 ¹	55 ¹
STEM @ STEERER TUBE (TRAIL STEM)	5 mm HEX	5	44
STEM @ HANDLEBAR (TRAIL STEM)	5 mm HEX	5	44
CRANK BOLTS	8 mm HEX	50	443
CHAIN RING BOLTS	5 mm HEX	10 ²	89 ²
SPIDER BOLT	4 mm HEX	5	44
CHAIN GUIDE	4 mm HEX	3.5	30
WATER BOTTLE CAGE BOLT	3 mm HEX	2.8	25
12 mm REAR AXLE	6 mm HEX	15	133
DERAILLEUR HANGER	8 mm HEX	25	221
HEAD TUBE GUIDE PORT (mounting screw)	2 mm HEX	0.8	7
HEAD TUBE GUIDE PORT (set screw)	1.5 mm HEX	NA	NA

BATTERY MOUNT BOLT	T25 TORX	3	27
TCU 2 DISPLAY	T10 TORX	0.8	7
MOTOR MOUNTS DRIVE SIDE	5 mm HEX	17	150
MOTOR MOUNTS NON DRIVE SIDE	T30 TORX	10	90
ROCK GUARD BOLT	4 mm HEX	75	8.6
SEAT STAY MUD GUARD	T25	?	?
SPEED SENSOR MOUNT BOLT	3 mm HEX	1	9
SPEED SENSOR MAGNET (6 BOLT VERSION)	T25 TORX	6.2	55
REMOTE	2 mm HEX	0.8	7
REAR BRAKE GUIDE BOLT	3 MM HEX	?	?
CHARGE PORT SCREWS	T8 TORX	NA	NA

1 The seat collar torque spec can vary depending on the seatpost or seatpost/shim combination. Certain dropper seat posts can be very sensitive to torque. Too low torque can cause seatpost slip, too high torque can cause the mechanism to bind as the saddle is raised or lowered. The seat collar baseline torque spec is 45 in-lbf / 5.1 Nm, but can be raised or lowered slightly (35-55 in-lbf / 4.0-6.2 Nm) as required by the seatpost. Follow the seat post's recommended applied torque if available, and do not exceed 55 in-lbf / 6.2 Nm.

2 Apply blue loctite to chainring bolts.

11.6. BEARING SPECIFICATIONS

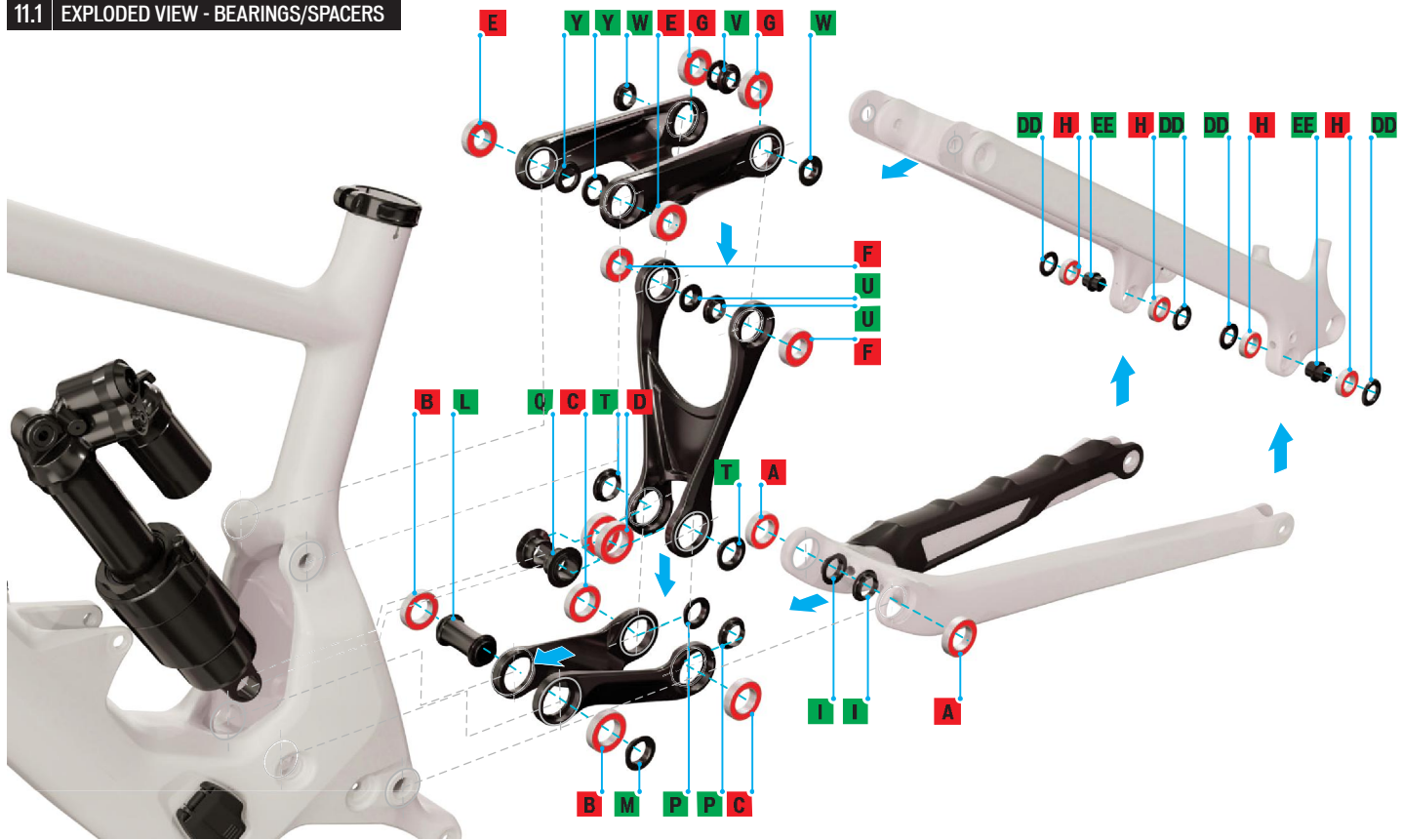
	QTY	PIVOT LOCATION	DIMENSION	BEARING
A	2	MAIN PIVOT @ CHAINSTAY	17 MM ID X 28 MM OD X 6 MM W,DBL SLD	17286V
B	2	MAIN PIVOT @ LOWER LINK		
C	2	LOWER LINK @ MID LINK		
D	2	MID LINK @ LOWER LINK		
E	2	UPPER LINK @ SEAT TUBE	12 MM ID X 24 MM OD X 6 MM W,DBL SLD	6901
F	2	MID LINK @ SEATSTAY		
G	2	UPPER LINK @ SEATSTAY		
H	4	DROPOUT (HORST LINK)		

11.7. SPACER/AXLE/BOLT SPECIFICATIONS

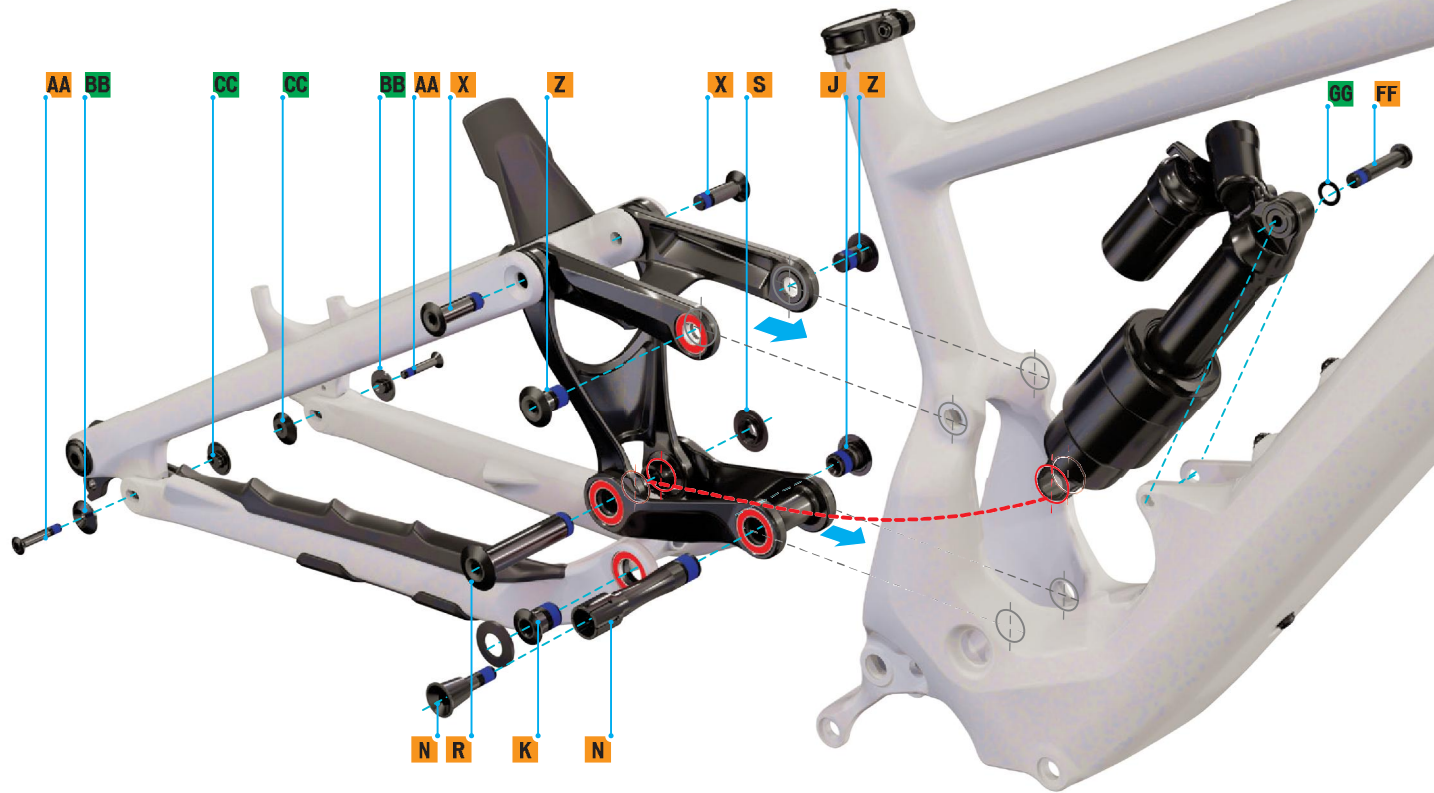
	QTY	LOCATION / ITEM	DIMENSIONS	TOOL	TORQUE	
					in-lbf	Nm
I	2	MAIN PIVOT INNER SPACER	BSHG FLG 15/17 MM ID X 23 MM OD X 2.5 W			
J	1	MAIN PIVOT BOLT NDS	SCR CUST M 15 X 1.0 X 19 7075 BLK	8 mm HEX	25	220
K	2	MAIN PIVOT BOLT DS	SCR,CUST,M 15 X 1.0 X 19,CHAIN GUIDE, 7075,BLK	8 mm HEX	25	220
L	1	LOWER LINK @ SHOCK TUNNEL SLEEVE	SPCR 17 ID X 40.5 OD X 2 W ALY BLK			
M	1	LOWER LINK @ SHOCK TUNNEL NDS OUTER SPACER	BSHG FLG 15/17 MM ID X 23 MM OD X 2.5 W			
N	1	LOWER LINK @ SHOCK TUNNEL DS AXLE BOLT	SCR,CUST EXPANDING M 15 X 1.0 X 67 7075 BLK	8 mm HEX	25	220
O	1	LOWER LINK @ SHOCK TUNNEL DS WEDGE BOLT	SCR,CUST EXPANDER WEDGE,M8,STL	8 mm HEX	17	150
P	2	LOWER LINK @ MID LINK INNER SPACER	BSHG FLG 15/17 MM ID X 23 MM OD X 2.5 W			

Q	2	MID LINK @ LOWER LINK/REAR SHOCK EYE INNER SPACER	BSHG FLG 15/17 MM ID X 23 MM OD X 2.5 W			
R	1	MID LINK @ LOWER LINK/REAR SHOCK EYE AXLE BOLT	SCR CUST M 15 X 0.8 X 71 7075 BLK	6 mm HEX	25	220
S	1	MID LINK @ LOWER LINK/REAR SHOCK EYE NUT	NUT CSTM 15 MM ID STL	8 mm HEX	25	220
T	2	MID LINK @ LOWER LINK/REAR SHOCK EYE OUTER SPACER	BSHG,FLG, 15 MM ID X 9.65 MM OD X 6.5 MM W,ALY			
U	2	MID LINK @ UPPER LINK/SEATSTAY INNER SPACER	BSHG FLG 10/12 MM ID X 17.5 MM OD X 2.5 MM W BLK			
V	2	UPPER LINK @ MID LINK/SEATSTAY INNER SPACER	BSHG FLG 10/12 MM ID X 17.5 MM OD X 2.5 MM W BLK			
W	2	UPPER LINK @ MID LINK/SEATSTAY OUTER SPACER	BSHG FLG 10/12 MM ID X 17.5 MM OD X 2.5 MM W BLK			
X	2	UPPER LINK @ MID LINK/ SEATSTAY BOLT	SCR,CUST,M 10 X 1.0 X 32,7075,BLK	5 mm HEX	17	150
Y	2	UPPER LINK @ SEAT TUBE INNER SPACER	BSHG,FLG, 12 MM ID x 18.6 MM OD X 2. 7 MM W			
Z	2	UPPER LINK @ SEAT TUBE BOLT	SCR CUST M 12X 1.0 X 20 7075 BLK	5 mm HEX	20	180
AA	2	HORST PIVOT BOLT	SCR,CUST,M6 X 1.0 X 32.5,STL,BLK	5 mm HEX	10	90
BB	2	HORST PIVOT ADJUSTABLE SPACER OUTSIDE	DO PIVOT SPACER,GEO ADJ,6.0 ID, FLAT			
CC	2	HORST PIVOT ADJUSTABLE SPACER INSIDE	DO PIVOT SPACER,GEO ADJ,M6 x 1			
DD	4	HORST PIVOT SPACER	HORST PIVOT OUTER SPACER ASSY 12 X 21 X 2.5			
EE	2	HORST PIVOT CENTER SPACER	SPCR,STEP,6 MM ID X 16 MM OD X 16 MM W,7075-T6			
FF	1	FORWARD SHOCK EYE BOLT	SCR CUST,M8 X 1.0 X 45 STL	5 mm HEX	22.5	200
GG	1	FORWARD SHOCK EYE WASHER	WSHR FLAT M8 8.31 D X 130 D X 0.5 THK 304 SST			

11.1 EXPLODED VIEW - BEARINGS/SPACERS



11.2 EXPLODED VIEW - BOLTS



11.8. SUSPENSION TORQUE SPECIFICATIONS

11.3

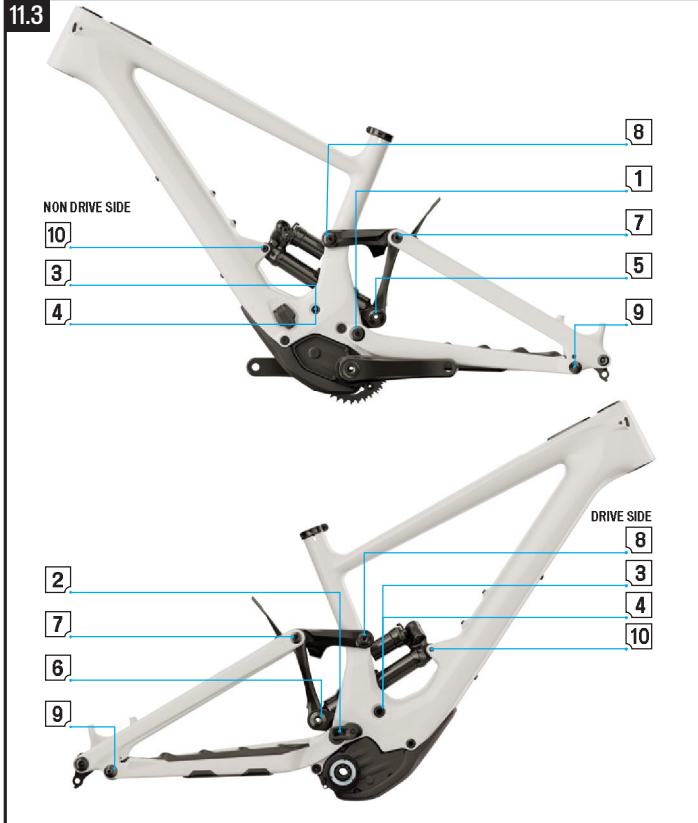


Fig. 11.3

#	PIVOT LOCATION	TOOL	TORQUE	
			Nm	in-lbf
1	MAIN PIVOT BOLT NDS	8 mm HEX	25	220
2	MAIN PIVOT BOLT DS	8 mm HEX	25	220
3	LOWER LINK @ SHOCK TUNNEL DS AXLE BOLT	8 mm HEX	25	220
4	LOWER LINK @ SHOCK TUNNEL DS WEDGE BOLT	8 mm HEX	17	150
5	MID LINK @ LOWER LINK/REAR SHOCK EYE AXLE BOLT	6 mm HEX	25	220
6	MID LINK @ LOWER LINK/REAR SHOCK EYE NUT	8 mm HEX	25	220
7	UPPER LINK @ MID LINK/SEATSTAY BOLT	5 mm HEX	17	150
8	UPPER LINK @ SEAT TUBE BOLT	5 mm HEX	20	180
9	HORST PIVOT BOLT	5 mm HEX	10	90
10	FORWARD SHOCK EYE BOLT	5 mm HEX	22.5	200

Torque each pivot bolt according to the torque specification listed above.

12. FLIP CHIPS

The geometry of the Kenevo SL can be modified by adjusting the Horst flip chips and adjustable headset cups. The flip chips are located on both sides of the chainstay near the Horst pivot and the headset cup is located in the upper head tube bearing bore.

The Horst pivot flip chips adjust the chainstay length and bottom bracket height. The headset cups slackens or steepens the headtube angle.

The adjustable headset cup is found in the small parts box supplied with the bicycle.



WARNING! Changing the frame configuration (Flip Chip position, tire size, fork length) can alter the BB height and/or the head tube angle, which can have negative effects on the bike's handling characteristics and ride quality. Please refer to your Authorized Specialized Retailer before making any modifications.



INFO: For information on the geometry when adjusting the flip chips visit www.specialized.com for more information

12.1. ADJUSTING THE HORST PIVOT FLIP CHIP

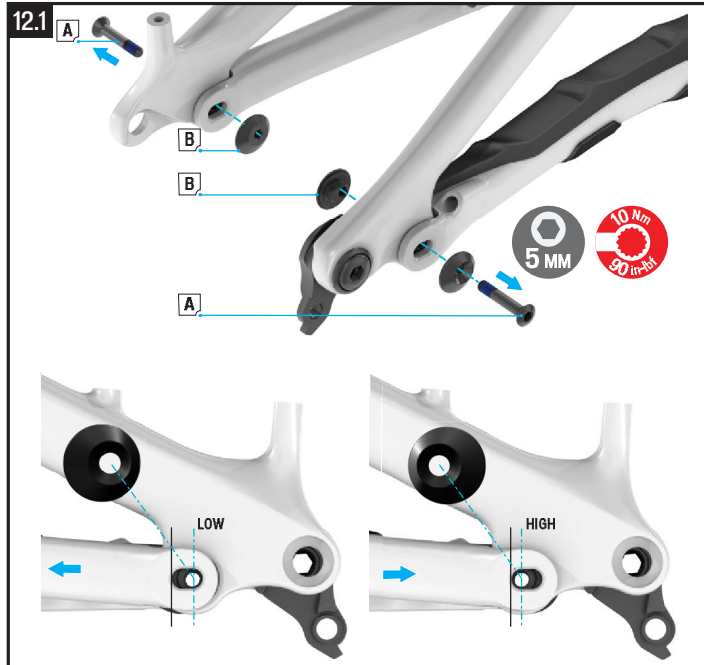


Fig. 12.1

- Remove the Horst pivot bolt from the frame (A).
- Remove all four flip-chips (B) and align the Horst Pivot spacer in the slot to either "high" or "low" position. When replacing the adjustable spacer make sure it is correctly located into the chainstay and that both parts of the flip-chip are aligned in the same direction.

- Reinstall the flip chips in the desired high or low position. Make sure they are fully seated and aligned with the chain-stay protector before tightening the bolt.
- Torque the Pivot bolt to 10 Nm / 90 in-lbf.



WARNING: The drive side and non-drive side Horst flip chips must both be aligned in the same high or low position. Improperly installed Horst flip chips can damage the frame and can also cause you to lose control and fall.



INFO: All models are assembled with the Flip Chip in the **high** position. Switching to the **low** position lowers the bottom bracket height by approximately **7 mm** and **slackens** the head tube angle by approximately **0.5 degrees**.

12.2. ADJUSTING THE HEADTUBE ANGLE

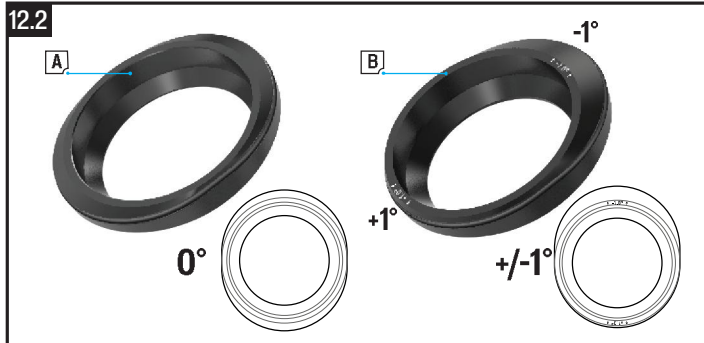


Fig. 12.2

The head-tube angle is adjustable via adjustable headset cups. The bike ships with the "zero" offset cup (A) and a +/- 1-degree headset cup (B) ships in the small parts box.

12.3

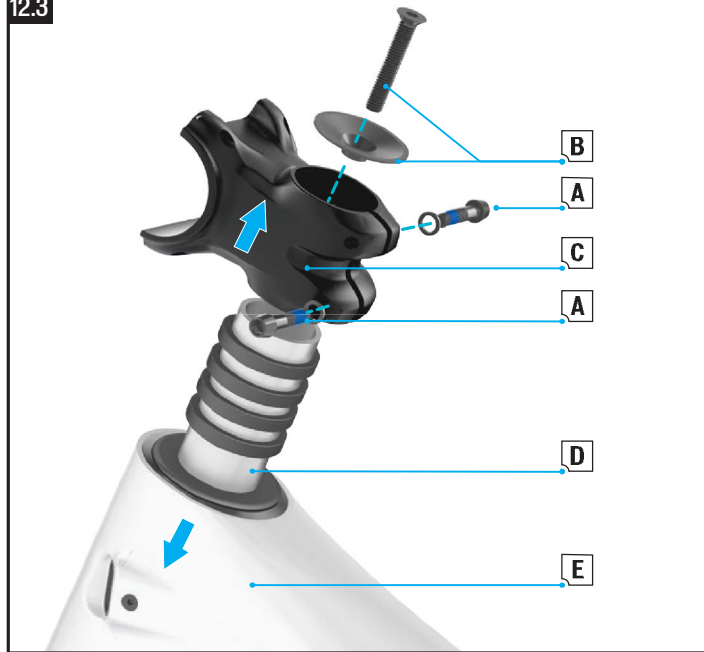


Fig. 12.3

- Loosen the stem bolts that attach it to the fork steerer (A).
- Loosen and remove the top cap bolt (B).
- Remove the stem (C) from the fork steerer tube (D) and remove the fork from the frame (E).
- Choose the headset cup and position (Fig 7.2) for the rider's desired geo.

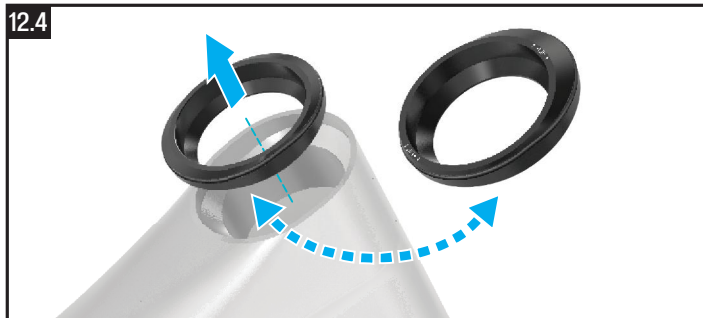


Fig. 12.4

- Remove the zero offset cup from the headtube and replace it with the ± 1 -degree headset cup.

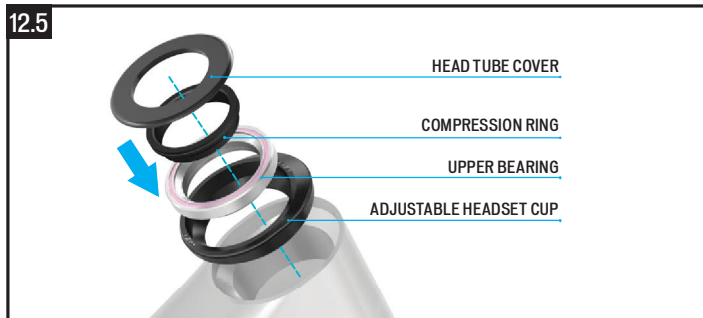


Fig. 12.5

- Install the headset parts, bearings and cups into the frame. These parts drop into the frame- no tools are required.

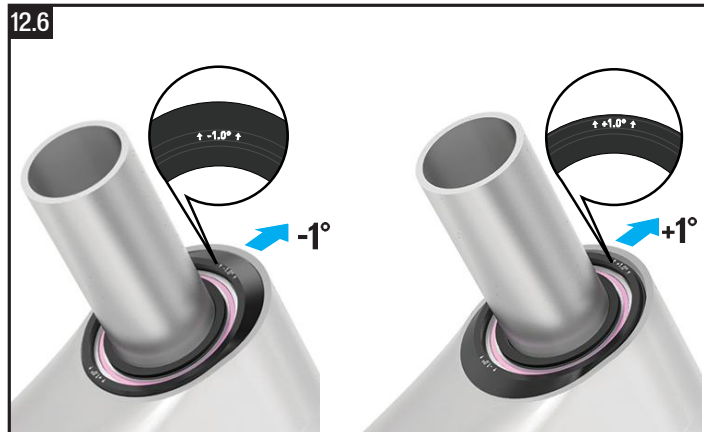


Fig. 12.4

When aligning the headset cup, the etching that is at the front of the bike indicates which setting you are in.



Make sure the headtube and headset cup are free of dirt and debris when changing the upper cup angle. Lubricate all the parts with high-quality waterproof grease.



All models are assembled with the zero offset headset cup. Switching the headset cup steepens or slackens the head tube angle by ± 1 degree.



The bottom headset cup is used for all options of adjustability, the cup has a spherical interface with the headtube and will move with the angle of the steerer tube.

12.7

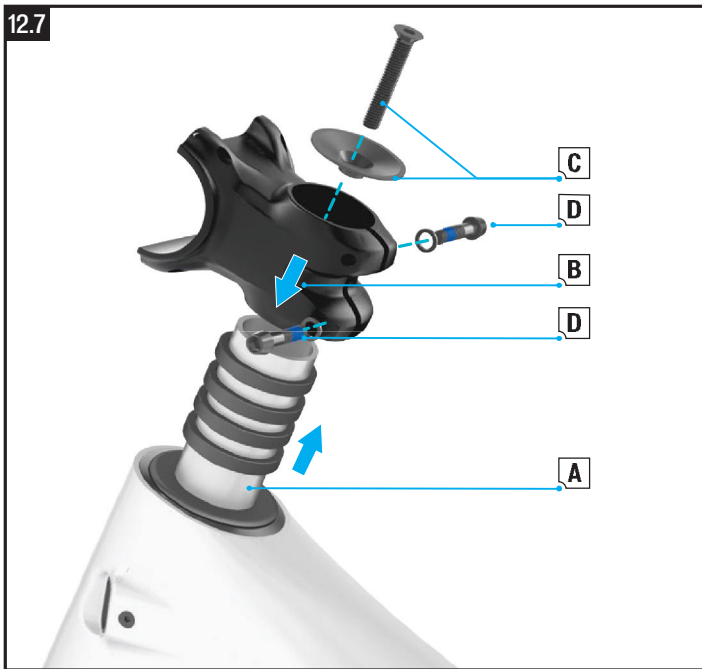


Fig. 12.7

- Slide the fork steerer tube back through the headtube and headset parts (A).
- Install the stem onto the steerer tube (B).
- Install the top cap and compression bolt into the star nut in the fork (C). Tighten the bolt until all the parts are snug and settled. The stem should rotate freely, but there should be no fore/aft free play in the system.

- Pull front brake and rock the bike back-and-forth a few times with the stem bolts loosened to make sure everything is well seated
- If necessary re-tighten the headset top cap (C).
- Torque the stem bolts to the recommended torque setting.

ADJUSTMENT POINT	CHAINSTAY LENGTH	BOTTOM BRACKET HEIGHT	HEAD TUBE ANGLE
HORST ADJUSTABLE PIVOT (HIGH)	+ 0 mm	+ 0 mm	+ 0°
HORST ADJUSTABLE PIVOT (LOW)	+ 5 mm	- 7 mm	- 0.5°
HEADSET ADJUSTABLE COLLAR (STD)	+ 0 mm	0 mm	+ 0°
HEADSET ADJUSTABLE COLLAR (SHORT)	+ 0 mm	- 2 mm	- 1°
HEADSET ADJUSTABLE COLLAR (LONG)	+ 0 mm	+ 2 mm	+ 1°

13. AIR SHOCK SETUP



When setting suspension, always set the shock first and fork second for air pressure, rebound, then compression.



Make sure you're wearing all gear that would normally be worn on a ride (shoes, helmet, hydration pack if used, etc.).



Please visit the suspension calculator tool at www.specialized.com. The suspension calculator provides a personalized baseline suspension setup recommendation based upon your specific height and weight. The baseline information should be considered as a suspension setup starting point. Adjust your suspension as needed based on your experience/preference and terrain conditions.

13.1. SETTING AIR PRESSURE

- Set the shock compression lever or knob (blue) to the full open or off position, and set the rebound knob to the middle of the click range.
- Attach a high-pressure shock pump to the air valve and set your shock pressure based on the personalized baseline suspension setup from the suspension calculator.

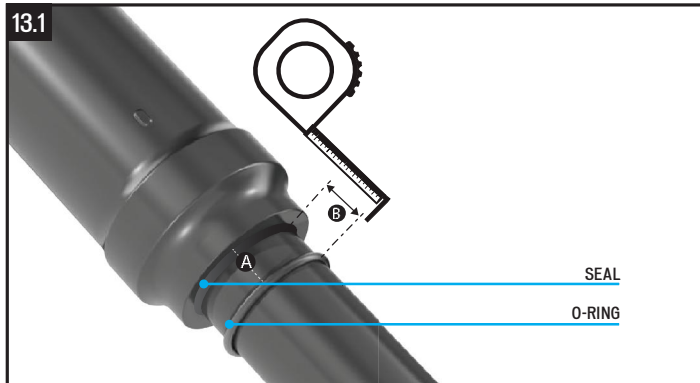


Fig 13.1

- To check the sag, push the o-ring against the seal (A), then mount the bicycle while propped up against a wall and sit in the saddle in a normal riding position, without bouncing the suspension. Do not set sag while riding!
- Check the sag by measuring the distance between the shock seal and the o-ring (B). Once the sag is close to the desired setting, increase or decrease the pressure as needed in 5psi increments until the desired sag is achieved.



Sag is measured as the distance between the o-ring and the shock body's seal, after the rider's weight has been applied to the bicycle, with no bounce. When the pressure is correctly set, sag should measure approximately **13.75 mm** of stroke, depending on rider experience/preference and terrain conditions. If the rider is approaching 300 lbs, sag may exceed the bicycle's prescribed amount.



To equalize the air pressure, cycle the shock or fork anytime after the air pressure has been adjusted.



CAUTION: Do not exceed the shock manufacturer's maximum pressure. Refer to the shock manufacturer specifications for maximum shock pressures.

13.2. ADJUSTING REBOUND

Rebound damping (red knob) controls the rate at which the shock returns after it has been compressed. Each rear shock has a range of rebound clicks to fine-tune the rebound return rate.

- Adjust the rebound based on the range provided in the suspension setup tool for your bicycle setup and rider weight, as well as other factors like rider experience/preference and terrain conditions, then fine-tune during the ride if necessary. If you do not have access to the suspension setup tool, start in the middle of the click range.
- Clockwise for slower rebound (heavier riders, slow speed, bigger hits).
- Counter-clockwise for faster rebound (lighter riders, higher speeds, small bumps, more traction).



It is best not to veer too far from the recommended clicks, since being too far out of the accepted range can negatively impact the ride experience.

13.3. ADJUSTING COMPRESSION

Compression damping (blue knob) controls the amount of support of the shock platform. In other words, the shock's ability to resist low-speed pedaling forces while still being able to absorb high-speed compression forces.

Please refer to the suspension manual for specifics about the compression options provided by your suspension. Typically, a suspension is equipped with some or all of the following settings:

- **OPEN:** Low-speed compression setting optimized for the perfect balance of control and plushness for steep, aggressive descents.
- **PEDAL (certain models):** Moderate low-speed compression setting is activated for an optimal blend of pedaling efficiency and bicycle control on variable terrain.
- **LOCK:** The firmest low-speed compression setting is activated for maximum pedaling

14. DERAILLEUR HANGER



WARNING! Correct grease application is critical to rider safety. **ONLY** apply grease as instructed.

INSTALLATION PROCEDURE:

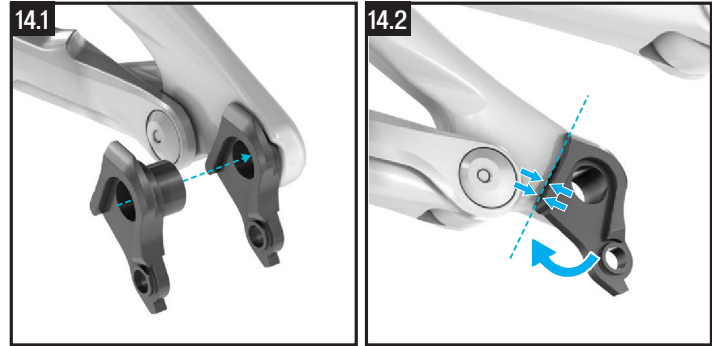


Fig. 14.1

- Install the UDH hanger assembly into the frame dropout.

Fig. 14.2

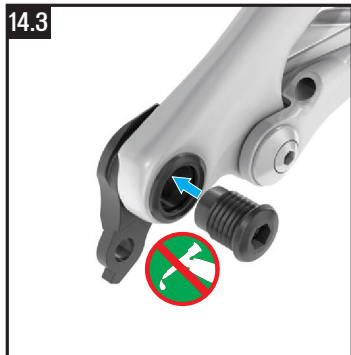
- Rotate the UDH hanger forward until it is completely seated in the hanger pocket or contacts the rotational stop tab.



Apply grease **ONLY** to the thru-axle threads. Do **NOT** apply grease to the frame, UDH hanger or UDH bolt threads.



The hanger must be completely seated in the hanger pocket or against the frame stop tab when tightened to the specified torque.



14.3



14.4

Fig.14.3

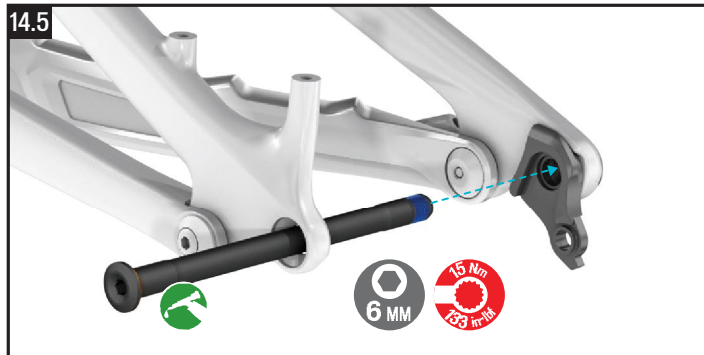
- Install the UDH washer, then thread the UDH bolt through the washer and into the hanger.

Fig.14.4

- Tighten the bolt to 221 in-lbf / 25 Nm. The UDH hanger bolt is left-hand threaded.



A reversible (left-hand and right-hand thread) torque wrench **MUST** be used to ensure proper left-hand thread bolt torque.



14.5

Fig.14.5

- Apply grease to the thru-axle threads before axle installation.

Fig.14.5

- Install the thru-axle and wheel, then torque the rear axle to 133 in-lbf / 15 Nm.



WARNING! Regularly check and confirm the UDH hanger is tight and has not moved before and after riding the bicycle.

15. RANGE EXTENDER (RE)

Your KENEVO SL is compatible with the Range Extender (RE) to further increase range and ride time. The RE is securely held in the recommended bottle cage (Zee Cage II - Right) and the Specialized battery retention band supplied with the RE. The RE connects to the motor through a dedicated power cable that plugs into the charge port. The low weight of the RE allows you to carry more REs to boost autonomy. One RE adds 160Wh to the system which lasts for about 1h of riding in Turbo mode (flat / slight gradient).

Refer to section 10 for general information about handling, using and charging the RE.

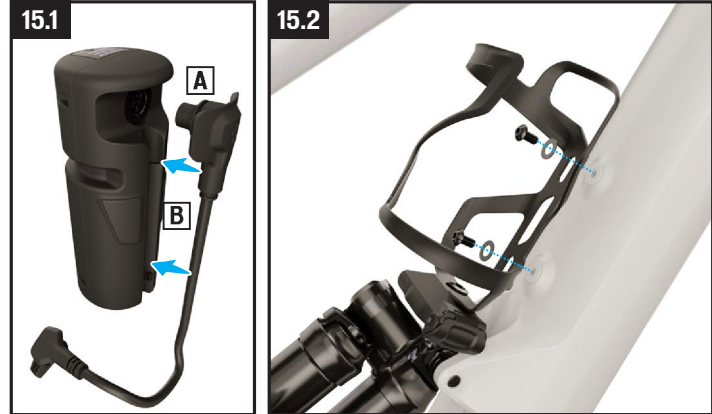
Please see your Authorized Specialized Retailer to get your RE(s) and the recommended bottle cage.



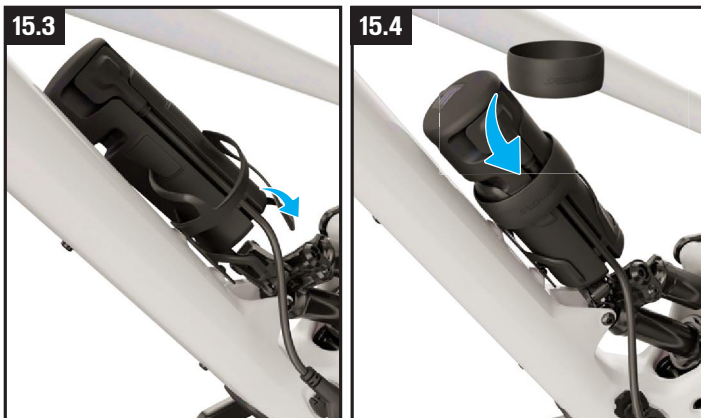
WARNING! Due to the portable nature of the RE, handle it carefully during installation and removal and do not drop it. Do not use or charge an RE that has sustained a significant impact (e.g. from a drop or crash) or is otherwise damaged as it may not be safe to charge or use.

15.1. USING THE RE

- Power off your KENEVO SL bicycle and RE.

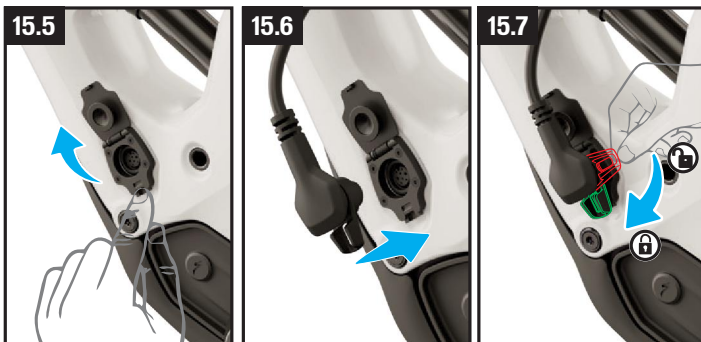


- Fig. 15.1a: Insert the end of the power cable with the rounded cover into the port on the RE. The KENEVO SL requires the **285 mm** RE cable to connect to your bicycle.
- Fig. 15.1b: Clip the cable into the channel located in the RE housing.
- Fig. 14.2: Install the cage onto the bicycle on the downtube location. Only use the recommended bottle cage (Zee Cage II, Right) for the RE.



■ Fig. 15.3: Install the RE in the bottle cage.

■ Fig. 15.4: Secure the RE into the bottle cage using the supplied Specialized battery retainer band.



- Fig. 15.5 Locate the charge port on the non-drive-side of the frame, near the bottom bracket.
- Fig. 15.5: Open the charge port lid and insert the RE plug into the charge port (Fig. 14.6).
- Fig. 15.7: Once the plug is seated correctly, twist the lever on the connector clockwise to lock the cable in place.
- To verify the RE is successfully connected to the system, check that the battery level is indicated on the TCU 2.



WARNING: When riding with a RE, always keep the RE cable plugged and locked into the charge port of the bicycle. A loose cable can cause damage to your bicycle and the RE and can become an obstruction which may cause you to lose control and fall.

CAUTION: When installing the bottle cage make sure to use the supplied screws, longer screw heads can cause damage to the RE.



WARNING: Use of a non specified bottle cage can cause the RE to come loose and fall out, causing damage to both the bicycle and the RE, it may also cause you to lose control and fall.

15.2. MISSION CONTROL INTEGRATION

- When the RE is plugged in, the system default is to discharge both the RE and the internal battery simultaneously. Using the Mission Control App, you can adjust the default to completely discharge the RE(s) first. This will require you to restart the bike to take effect.
- When riding in “RE first” mode, once the RE reaches a low state of charge, the power assistance will be reduced, even if the internal battery is fully charged. This reduction is due to the BMS protecting the RE from high currents which can damage the RE. Once the RE is completely drained, the TCD will display a 3% drop in range

15.3. CHARGING YOUR RANGE EXTENDER

When charging the RE use the standard charger supplied with your bicycle to charge the RE.

If you want to charge both the internal battery and the RE at the same time, an optional Y-splitter cable can be plugged into the charger.

Please refer to the section 10 of this manual for charging instructions.



CAUTION: Always turn off the bicycle before plugging or unplugging the charger or RE!



INFO: The Y-Splitter cable will **ONLY** produce a charge if it's connected to one RE and one internal battery at the same time. The charger will not charge if the Y-splitter cable is connected to two REs or two internal batteries, or if more than one Y-splitter cable is connected to the same charger.



INFO: The Y-Splitter cable is available through your Authorized Specialized Retailer.



INFO: Please note that Li-ion batteries gradually lose capacity depending on age and use. Strongly reduced operating time after fully charging can be a sign that the RE is reaching the end of its useful life and has to be replaced. Provided the bicycle has been used properly, approximately 75% of the RE's original capacity should remain after 300 charging cycles or two years. Replacement batteries can be purchased from your Authorized Specialized Retailer.

15.4. CHARGE LEVEL DISPLAY WITH RANGE EXTENDER BATTERY

When the RE is attached to the bicycle, the charge level is displayed on the TCU 2, the optional TCD and in the Mission Control App. The displays adapt to show the state of charge for both internal and RE batteries.

15.8

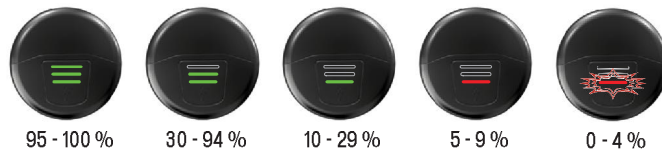


Fig. 15.8. (RE)

When the RE is attached to the bicycle, the charge level is displayed on the top of the RE with three colored bars.

To check the state of charge when not connected to the bike, power on the RE by pressing the button on the top. If the RE has been powered off for more than 2 hours, the RE will need a long push to wake it from deep sleep mode.

15.9



Fig. 15.9. (TCU 2)

When the RE is connected to the bicycle the TCU 2 will reflect the charge of both batteries added together. The RE has half the capacity of the internal battery and will when fully charged it will add 50% to the charge level. With a full internal battery and a full RE connected, the TCU 2 will show a maximum charge level of 150%.

16. REGULATORY STATEMENTS

RoHS:

Specialized Bicycle Components, Inc. Certifies that this product and its packaging are in compliance with European Union Directive 2011/65/EU on the Restriction of the Use of Certain Hazardous Substances in Electrical and Electronics Equipment, commonly known as RoHS.

FCC Statement:

This device complies with Part 15 of the FCC Rules.

Caution: If any changes or modifications not expressly approved by the party responsible for compliance could void the user's authority to operate the equipment.

Operation is subject to the following two conditions: (1) This device may not cause harmful interference, and (2) This device must accept any interference received, including interference that may cause undesired operation.

The grantee is not responsible for any changes or modifications not expressly approved by the party responsible for compliance. Such modifications could void the user's authority to operate the equipment.

The RF Exposure Compliance distance is 20 millimeters.

NOTE: This equipment has been tested and found to comply with the limits for a Class B digital device, pursuant to part 15 of the FCC Rules. These limits are designed to provide reasonable protection against harmful interference in a residential installation. This equipment generates, uses and can radiate radio frequency energy and, if not installed and used in accordance with the instructions, may cause harmful interference to radio communications. However, there is no guarantee that interference will not occur in a particular installation. If this equipment does cause harmful interference to radio or television reception, which can be determined by turning the equipment off and on, the user is encouraged to try to correct the interference by one or more of the following measures:

- Reorient or relocate the receiving antenna.
- Increase the separation between the equipment and receiver.
- Connect the equipment into an outlet on a circuit different from that to which the receiver is connected.
- Consult the dealer or an experienced radio/TV technician for help.

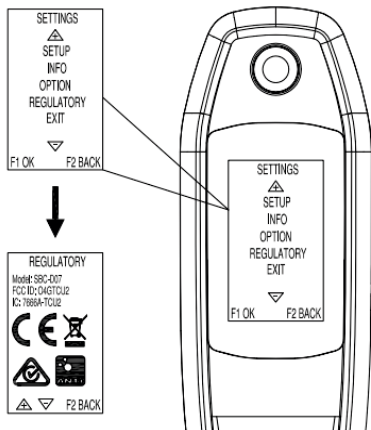
ISED Statement

This device complies with Innovation, Science and Economic Development Canada license-exempt RSS standard(s). Operation is subject to the following two conditions: (1) this device may not cause interference, and (2) this device must accept any interference, including interference that may cause undesired operation of the device. CAN ICES-3(B)/NMB-3(B) The device meets the exemption from the routine evaluation limits in section 2.5 of RSS 102 and compliance with RSS-102 RF exposure, users can obtain Canadian information on RF exposure and compliance.

This transmitter must not be co-located or operating in conjunction with any other antenna or transmitter. This equipment should be installed and operated with a minimum distance of 20 millimeters between the radiator and your body.

How to check regulation information/marks on screen:

SETTING ---> REGULATION



17. EC - DECLARATION OF CONFORMITY

The manufacturer:

Specialized Bicycle Components Inc.
15130 Concord Circle
Morgan Hill, CA 95037, USA
Tel: +1 408 779-6229



Hereby confirms for the following products:

Product description: EPAC (Electrically Power Assisted Cycle)
KENEVO SL SW LTD / KENEVO SL SW CARBON /
KENEVO SL PRO CARBON / KENEVO SL EXPERT
CARBON / KENEVO SL COMP ALLOY / KENEVO SLALLOY


The conformity with all applicable directives from the guideline: Machines (2006/42/EC).

The machine also conforms to all the directives in the guidelines: Electromagnetic Compatibility (2004/108/EC).
Radio Equipment (2014/53/EU)

The following harmonizing norms were applied to the product: EN 15194:2017 Cycles - Electrically power assisted cycles
- EPAC Bicycles

Serial number: Frame decal adhered to the back page of the user manual

Technical documentation by: Specialized Europe GmbH
Werkstattgasse 10 6330 Cham, Switzerland

Signature:  Jan Talavasek
(Sr. Director Turbo)

Specialized Europe GmbH, 6330 Cham, Switzerland, April 1st, 2020

NOTE: THIS DECLARATION OF CONFORMITY APPLIES ONLY TO BICYCLES SOLD IN COUNTRIES FOLLOWING THE CE MARKING DIRECTIVES.

NOTE: IN ORDER TO CONNECT THE BICYCLE AND THIS USER MANUAL TOGETHER, THE YELLOW SERIAL NUMBER DECAL LOCATED ON THE FRAME OF THE BICYCLE MUST BE PLACED OVER THE FACSIMILE OF THE DECAL ON THE BACK PAGE OF THIS USER MANUAL.

