

Antenna Specification Datasheet

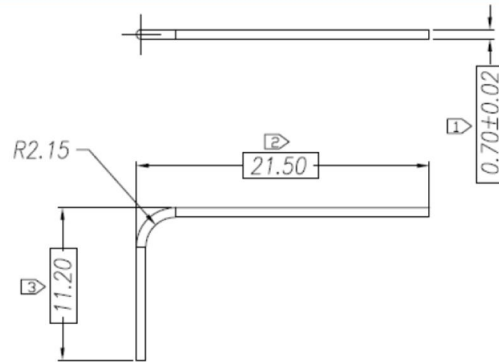
Manufacturer : DAYTON INDUSTRIAL CO., LTD
Address : 2-12 Kwan Fat Road, 11-A Kwai Chung, New Territories, Hong Kong

Model No. / Part No : 23-5960PG

Antenna Specification

Frequency Range	2400 – 2480 MHz
Antenna Material	Metal
Antenna Type	Rod Antenna
Max. Gain	0 dBi

Dimension



產品要求:

須符合Rohs及Reach的安全規格.

电镀規格: 鍍金0.01-0.04um.

☐☐☐☐為必檢尺寸.

抗腐測試: 浸8小時5%鹽水.

Performance / Test Graph

BLE	E-Plane	H-Plane
0	-5.9	-3.2
15	-4.8	-0.8
30	-2.1	-2.9
45	-3.6	-1.6
60	-0.5	-0.5
75	-2.9	-1.2
90	-1.5	-0.7
105	-0.6	-1.2
120	-0.5	-3.5
135	-7.2	-1.5
150	-7.6	-0.8
165	-7.2	-0.6
180	-14.1	-1.5
195	-11.2	-1.8
210	-2.4	-0.3
225	-1.6	-2.1
240	-2.5	-5.3
255	-0.8	-9.8
270	0	-3.2
285	-2.8	-2.8
300	-4.2	-1.8
315	-13.7	-0.3
330	-6.1	-4.7
345	-6.5	-8.7

