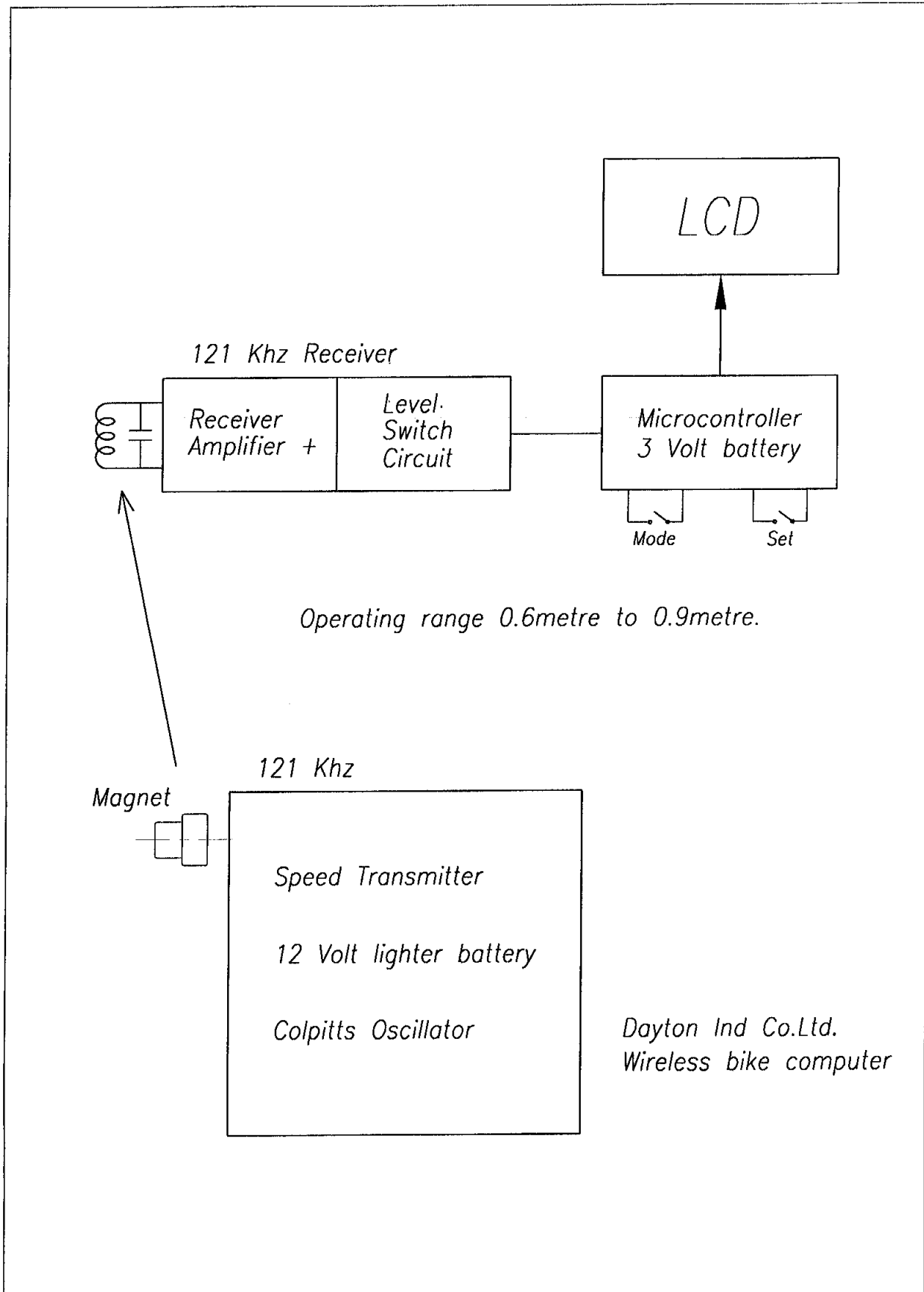


# Block Diagram & Circuit



2000/07/04 15:51

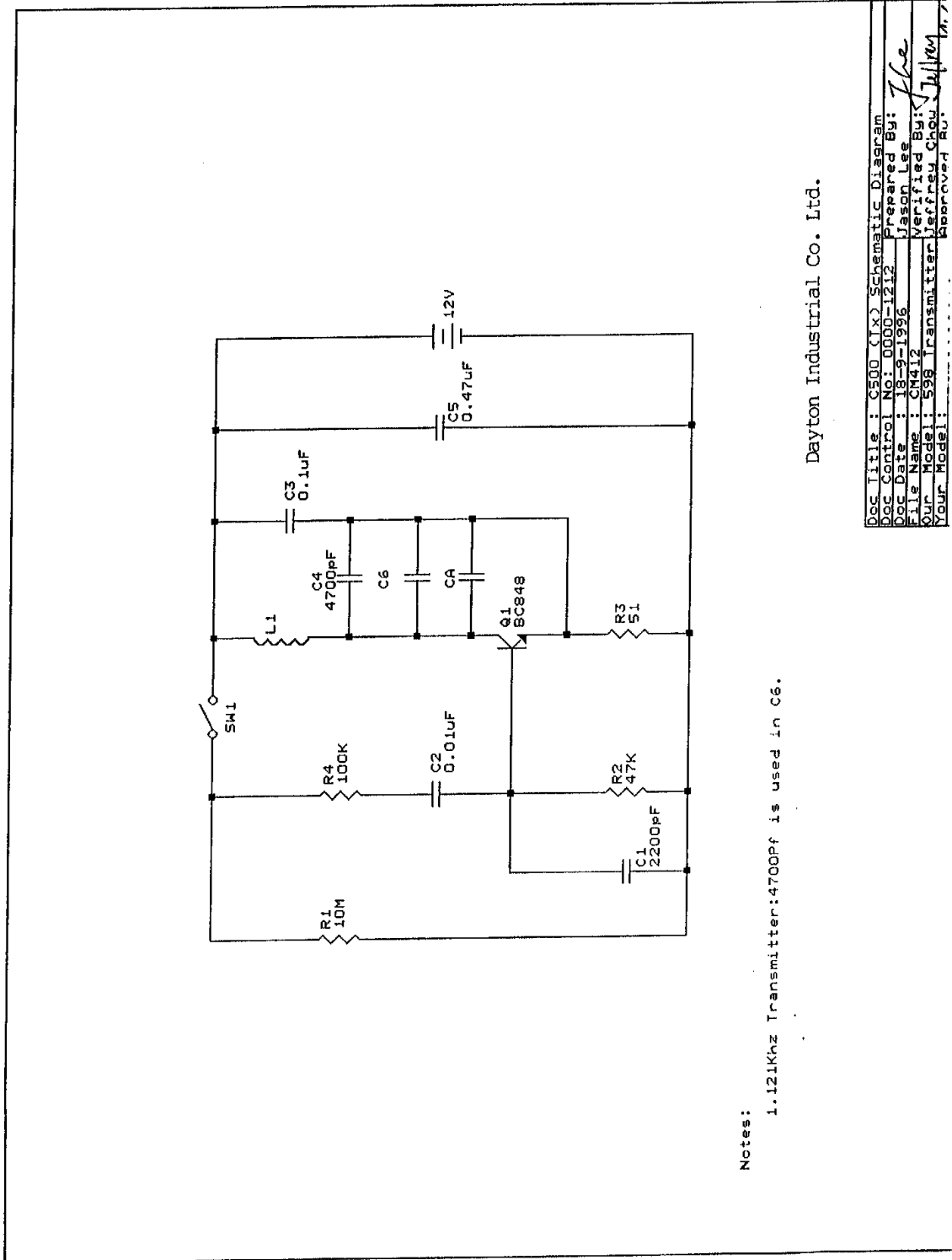
FAX:

P.001

(TX+RX)

CO.: DAYTON Des: Speedzone Team Wireless Test : FCC Part 15 Ver. 1/13

*speed zone team*



Notes: 1.121KHz Transmitter:4700PF is used in C6.

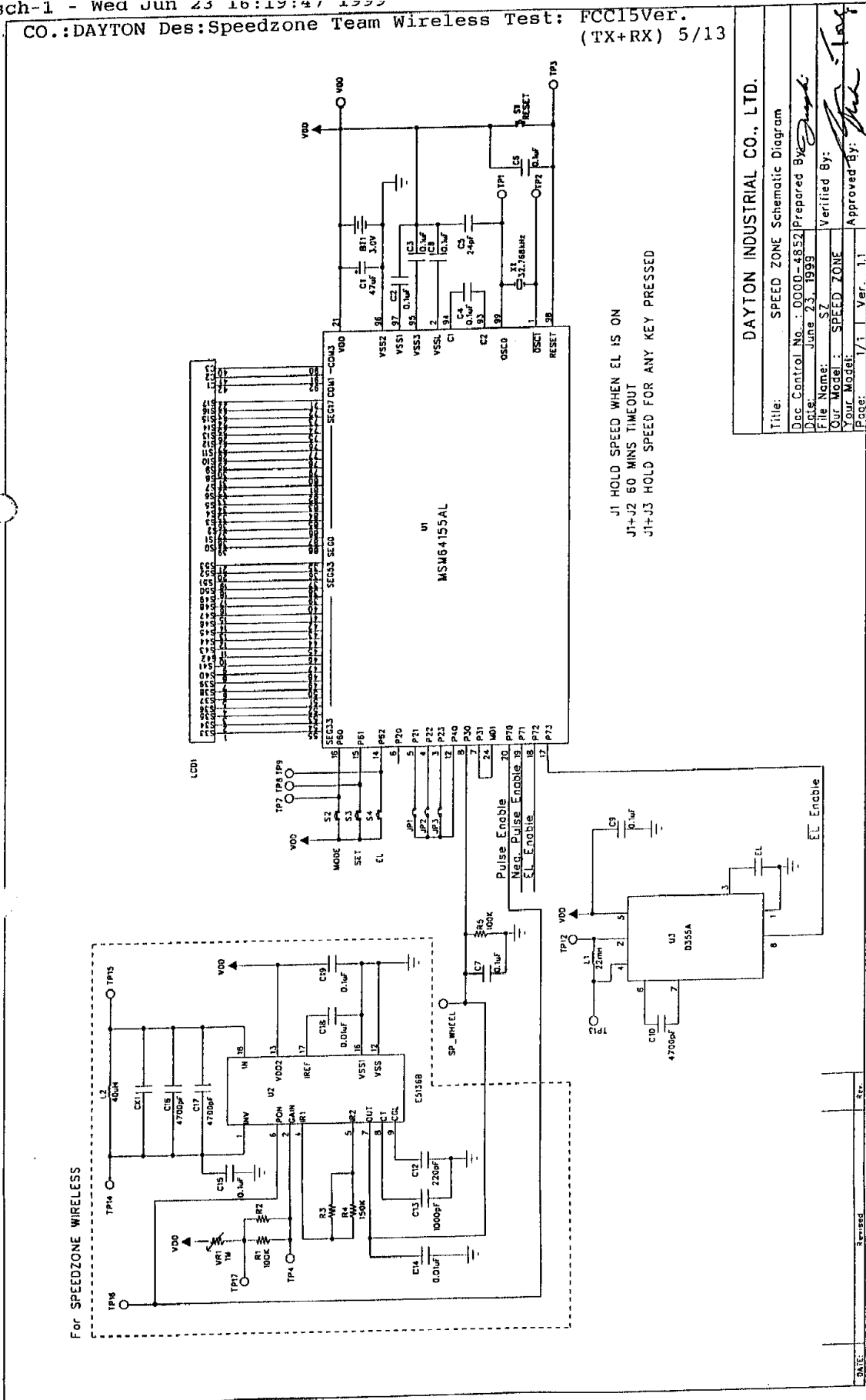
Dayton Industrial Co. Ltd.

Doc Title:	C500 (TX) Schematic Diagram
Doc Control No:	0000-1212
Doc Date:	18-9-1996
File Name:	CM412
Doc Model:	598 Transmitter
Doc Model:	Approved AU: <i>J. Lee</i>
Doc Model:	Approved AU: <i>J. Lee</i>

2000/07/04 15:52 FAX: Sz.sch-1 - Wed Jun 23 16:19:47 1999

P.002

CO.:DAYTON Des:Speedzone Team Wireless Test: FCC15Ver. (TX+RX) 5/13



J1 HOLD SPEED WHEN EL IS ON  
JT+J2 60 MINS TIMEOUT  
JT+J3 HOLD SPEED FOR ANY KEY PRESSED

DAYTON INDUSTRIAL CO., LTD.	
Title:	SPEED ZONE Schematic Diagram
Doc Control No.:	0000-4852 Prepared By: <i>[Signature]</i>
Date:	June 23, 1999
File Name:	SZ
Our Model:	SPEED ZONE
Your Model:	
Page:	1/1 Ver. 1.1