

A

B

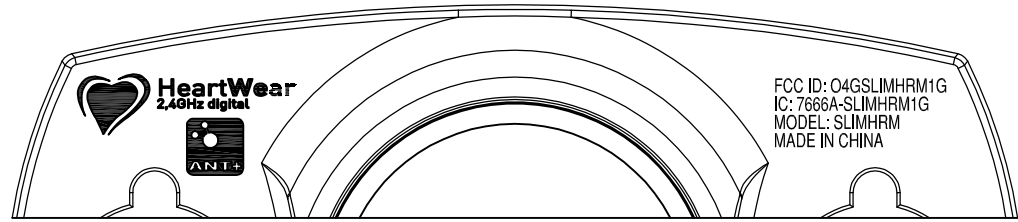
C

D

E

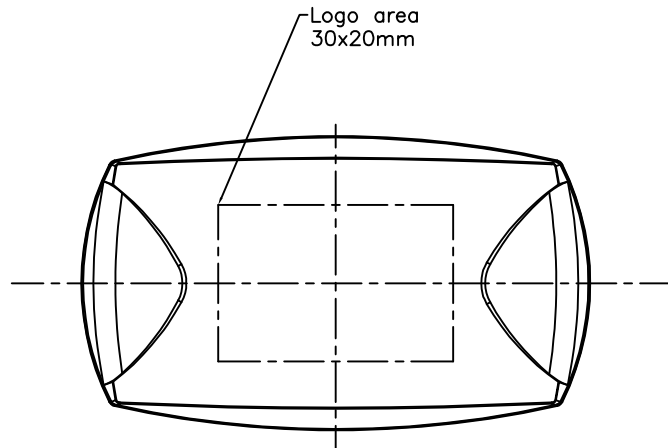
1

1

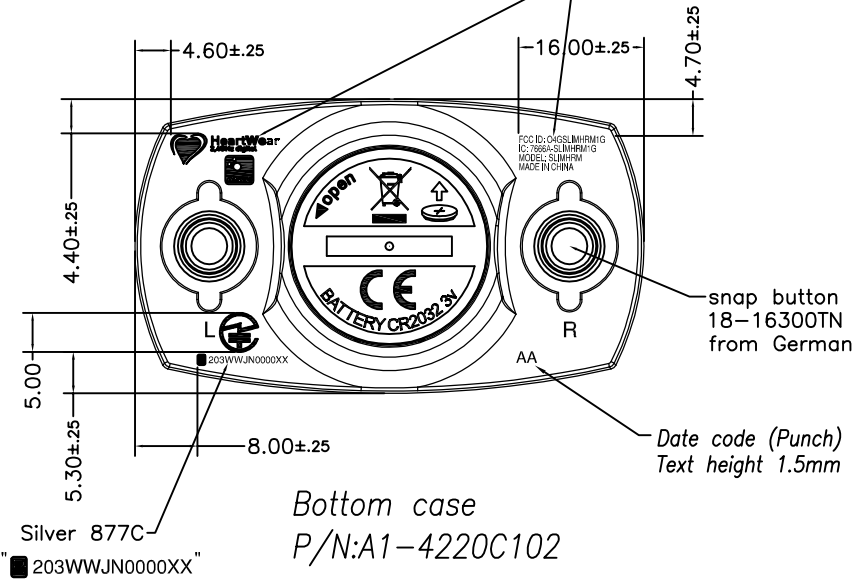


Scale 2:1

Silver 877C



Logo area
30x20mm



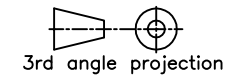
Top case
P/N:17-4210BABK

Bottom case
P/N:A1-4220C102

○ All must be check for above

ALL DIMENSIONS IN MM

DAYTON INDUSTRIAL CO. LTD.
KENDY ENTERPRISE LTD.



LINEAR ± 0.10
ANGULAR ± 0.50
UNSPECIFIED TOLERANCE

TITLE: Cosmetic		MODEL NAME: SLIMHRM		VERSION NO: 1.0
PART NO: B4-4210B00DA		MODEL NO: DA57100		DATE: 28/7/2011
MAT'L: /	SCALE: 1:1	DOC CONTROL NO: 004-		SHEET 1 OF 1
FINISH: /	QTY: 1	DWN	CHKD	APPD

REV.	REVISIONS	DATE	FINISH: /	QTY: 1	DWN	CHKD	APPD
------	-----------	------	-----------	--------	-----	------	------

A

B

C

D

E

4

4