

A

B

C

D

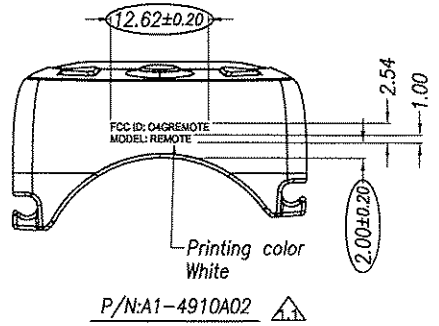
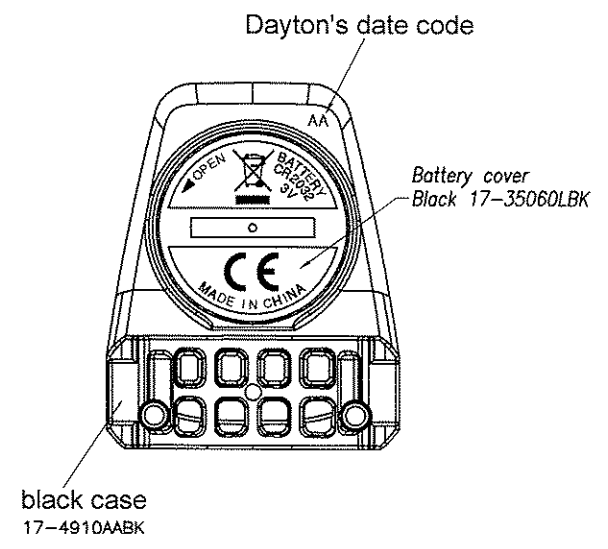
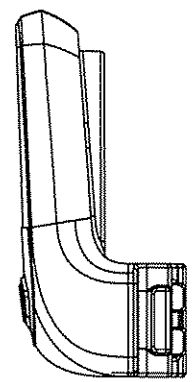
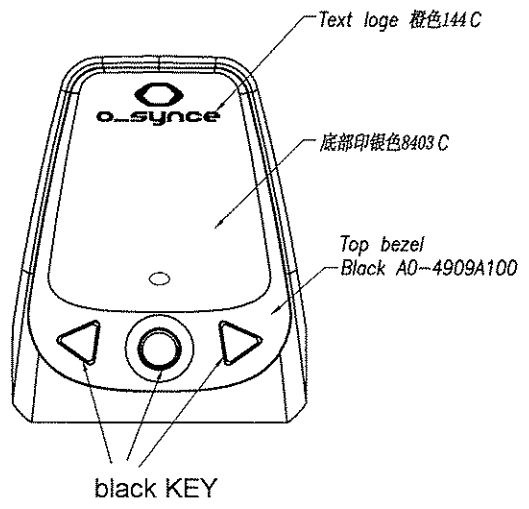
E

1

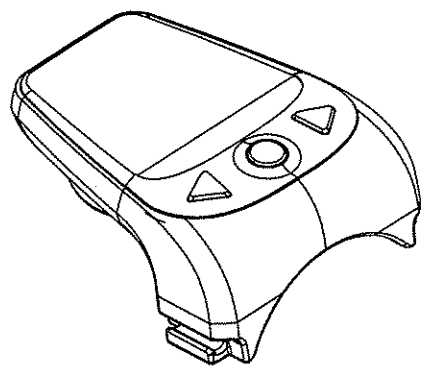
2

3

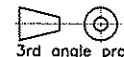
4



FCC ID: O4GREMOTE
MODEL: REMOTE
Scale 2:1



防水測試：用0.6Bar內压浸水看汽泡。

DAYTON INDUSTRIAL CO. LTD.		 unit: mm		LINEAR ± 0.10
KENDY ENTERPRISE LTD.				ANGULAR ± 0.50
				UNSPECIFIED TOLERANCE
TITLE: Cosmetic	MODEL NAME: O_synce Ant+/BLE remote			VERSION NO: 1.0
PART NO: B9-MS1630000	MODEL NO: MS16300			DATE: 21/Feb/2014
MAT'L: ABS	SCALE: 1:1	DOC CONTROL NO: 005-1395	SHEET 1 OF 1	
FINISH: /	QTY: 1	DWN	CHKD	APPD

REV.	REVISIONS	date

A

B

C

D

E

1

2

3

4