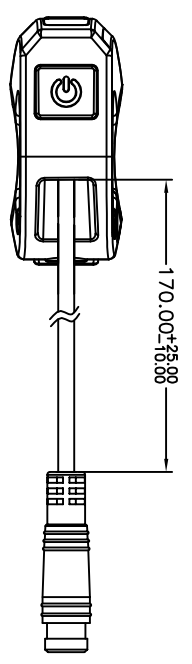
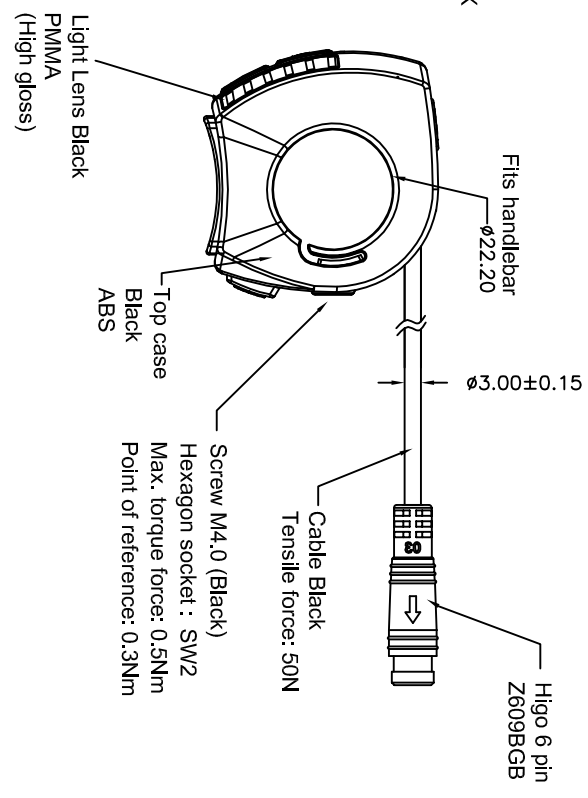
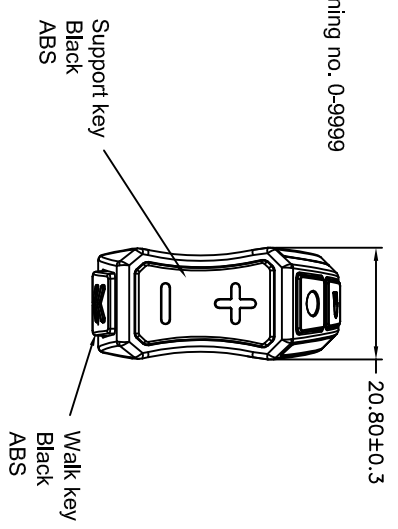
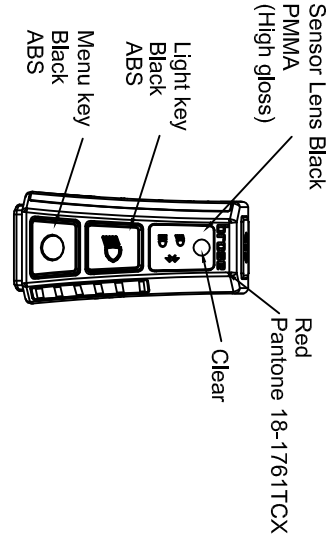
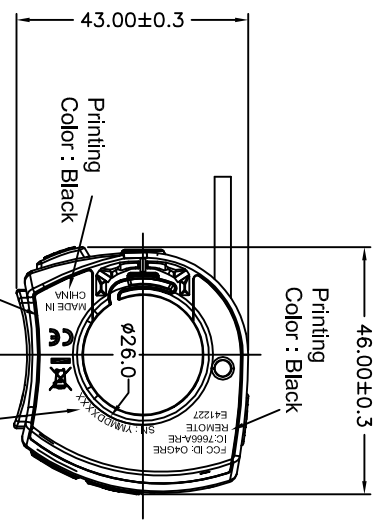
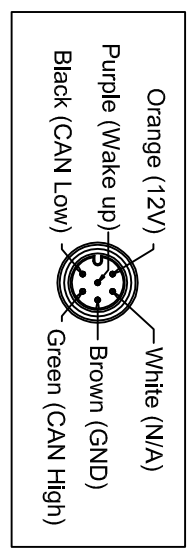
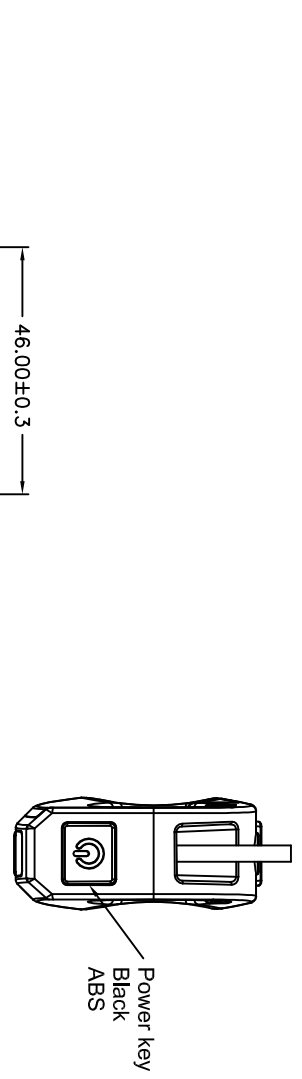


A B C D E



Remarks:

- Estimated weight: 24g
- Housing and buttons complete with grain (TR13)
- No glossy marks
- Cleanliness: no visible particle inside on lense
- IPX7
- No condensation inside on lens at low temperature
- Locking screw must not move freely in housing
- No visible and non removable dust and scratch on unit
- Sensor lens with protection film covered

<p>DAYTON INDUSTRIAL CO. LTD. KENDY ENTERPRISE LTD.</p>		<p>3rd angle projection</p>		<p>ALL DIMENSIONS IN MM</p>	
TITLE:	Cosmetic	MODEL NAME:	Remote E41227-100	VERSION NO.:	1.0
PART NO.:	B9-BR4420000	MODEL NO.:	BR44200	DATE:	4/Dec/19
MAT'L.:	Specified in the parts	SCALE:		SHEET	1 OF 1
FINISH:	Specified in the parts	QTY:	1	CHKD	
REV.	REVISIONS	DATE	DWN	APPD	

4 3 2 1

A B C D E