

A

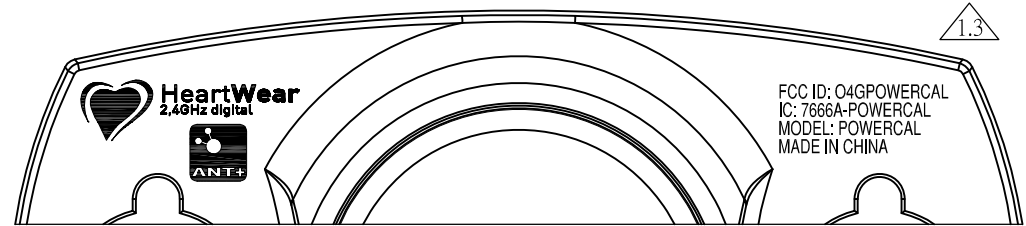
B

C

D

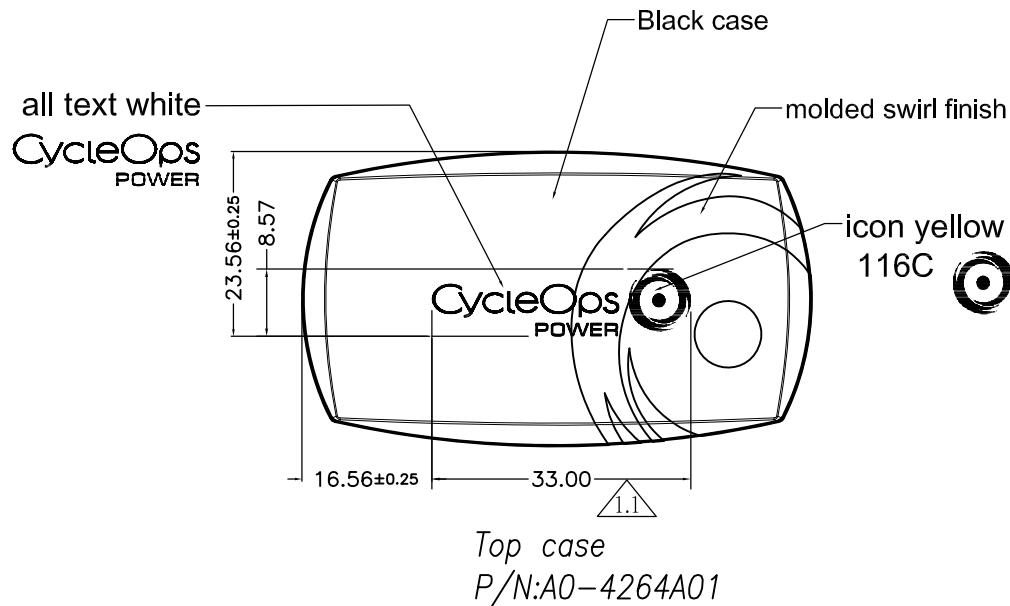
E

1

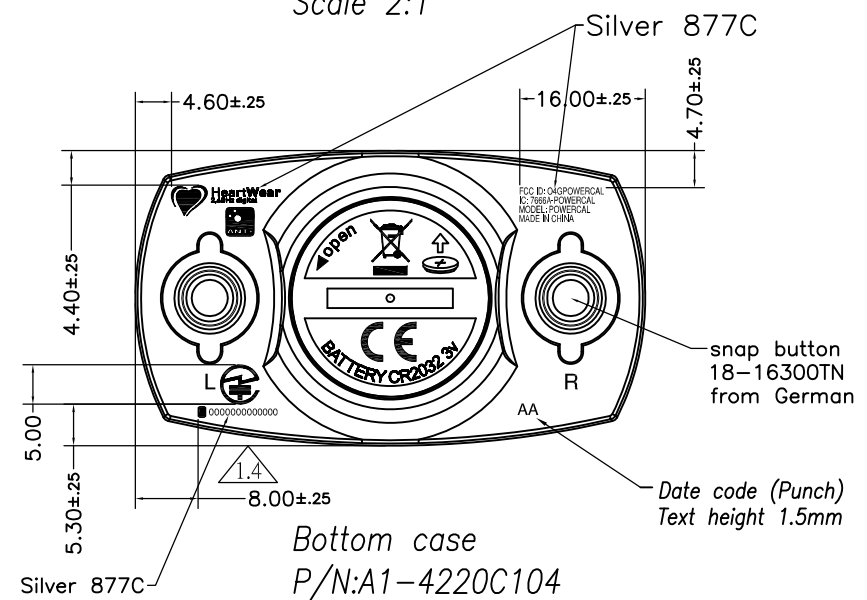


1.3

Scale 2:1



Top case
P/N:A0-4264A01



Bottom case
P/N:A1-4220C104

○ All must be check for above

ALL DIMENSIONS IN MM

1.4	Revise bott. case printing	6/5/11	DAYTON INDUSTRIAL CO. LTD. KENDY ENTERPRISE LTD.		 3rd angle projection	LINEAR ± 0.10	
1.3	Revise bott. case printing	28/4/11				TITLE: Cosmetic	MODEL NAME: Saris Smart Belt
1.2	use german button	26/1/2011	PART NO: B4-4264A03GR	MODEL NO: GR57700	DATE: 6/5/2011	UNSPECIFIED TOLERANCE	
1.1	Revise top case logo	20/1/11	MAT'L: /	SCALE: 1:1	DOC CONTROL NO: 004-2243	VERSION NO: 1.4	
REV.	REVISIONS	DATE	FINISH: /	QTY: 1	DWN	CHKD	DATE: 6/5/2011
							SHEET 1 OF 1
							APPD

A

B

C

D

E

4

4