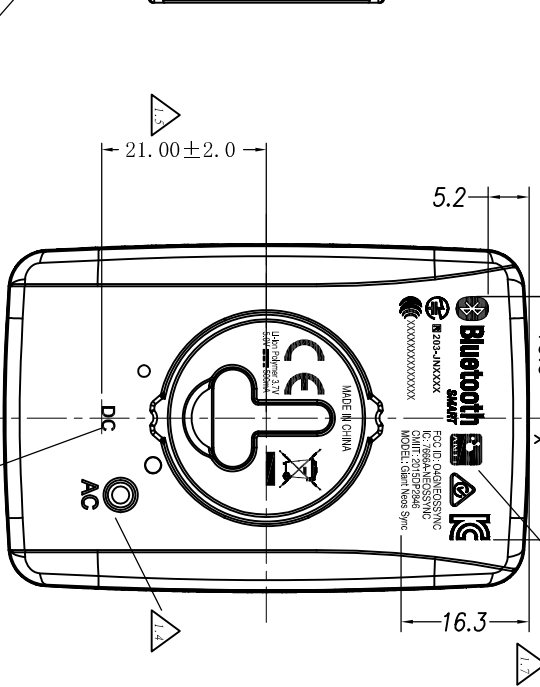
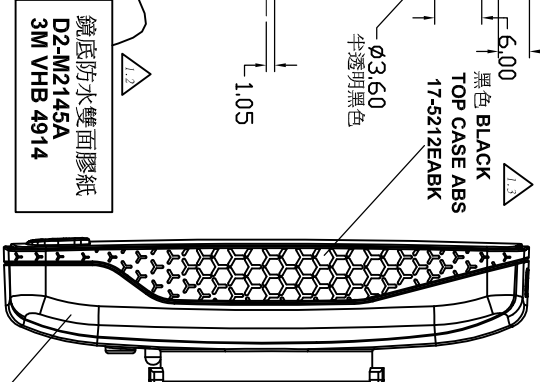
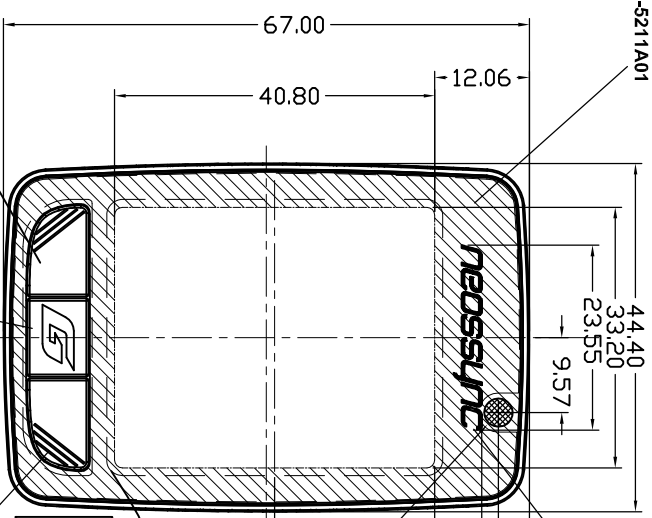


Lens PMMA  
黑色  
A6-5211A01

**neos** — Cyan C 蓝色  
**sync** — 877C 银色  
**neossync**

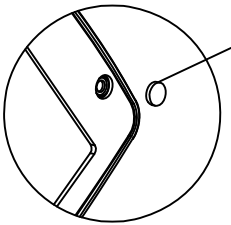
**Bluetooth SMART**  
203-JNXXXX  
XXXXXXXXXXXXX  
DETAIL "X"

FCC ID: O4GENOSSYNC  
IC: 766A-NEOSSYNC  
CMIIT: 2015DPP2846  
MODEL: Giant Neos Sync



黑色噴油要到斜邊上.

Round Lens  
17-52710YCL01



Left Button (ABS)  
17-5351AABK 黑色(鏡面光身,字底火花紋)  
PIN:48-16440T X1PC  
O-RING:38-0160BKO X1PC  
SPRING: 23-199AS  
E-RING:87-005T X1PC

Middle Button (ABS)  
17-5352AABK 黑色(鏡面光身,字底火花紋)  
PIN:48-16440T X1PC  
O-RING:38-0160BKO X1PC  
SPRING: 23-199AS  
E-RING:87-005T X1PC

Right Button (ABS)  
17-5353AABK 黑色(鏡面光身,字底火花紋)  
PIN:48-16440T X1PC  
O-RING:38-0160BKO X1PC  
SPRING: 23-199AS  
E-RING:87-005T X1PC

黑色 BLACK  
BOTTOM CASE ABS  
A1-5213E01

鏡底防水雙面膠紙  
D2-M2145A  
3M VHB 4914

1.8	Reverse bottom case printing	27/Jun/15
1.7	Revise bottom case printing	23/Jun/15
1.6	加型號 Model no. G172401	16/APR/15
1.5	日期碼位置更新	09/APR/15
1.4	Reset位更新	11/Mar/15
1.3	取消超聲線	22/JAN/15
1.2	改用3M防水雙面膠紙	2/JAN/15
REV.	REVISIONS	DATE

P/N: A0-5212E301 CASE+LENS+KEYS ASSEMBLY

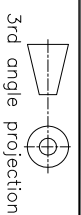
**DAYTON INDUSTRIAL CO. LTD.**  
**KENDY ENTERPRISE LTD.**

TITLE: Cosmetic Drawing

PART NO: MODEL NAME: Giant BLE/ANT Bike Computer

MAT'L: SCALE: DOC CONTROL NO: 005-3005

FINISH: QTY: 1 DWN



3rd angle projection  
LINEAR ± 0.10  
ANGULAR ± 0.5  
UNSPECIFIED TOLERANCE

ALL DIMENSIONS IN MM

MODEL NO:	G172400/G172401	DATE:	28/JUN/15
SCALE:	DOC CONTROL NO: 005-3005	SHEET	1 OF 1
QTY:	1	CHKD	APPD

A

B

C

D

E

4

3

2

1

4

3

2

1