



FITNESS

BLUE

wahoo

HR

Blue 298C  
with white background

Silver 877C

Top case Black



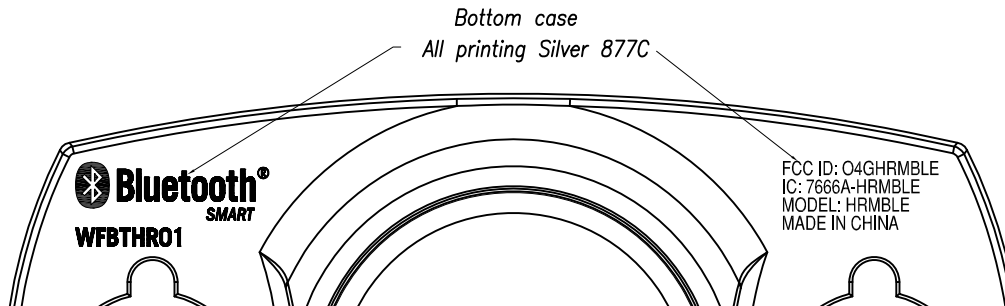
Top case  
P/N:A0-4210B06  $\triangle 1.1$

測試規範

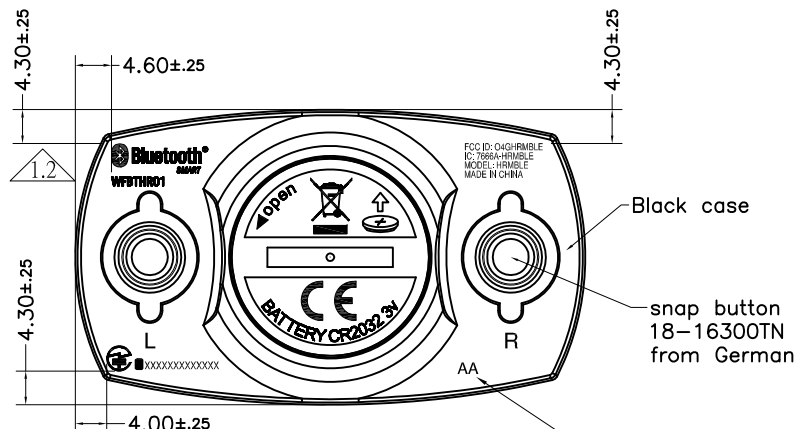
絲印黏附力測試: 用3M透明膠紙(#600) 壓貼在表面拉3次。

抗腐測試(SUS304L): 浸24小時5%鹽水後不可出現腐蝕現象。

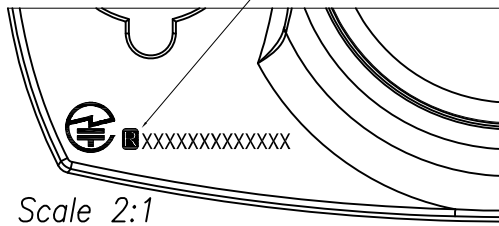
成品防水測試: 用1Bar內壓浸水看汽泡



Scale 2:1



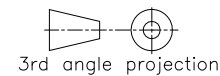
All printing Silver 877C



Bottom case  
P/N:A1-4220D108  $\triangle 1.1$

$\circ$  All must be check for above ALL DIMENSIONS IN MM

DAYTON INDUSTRIAL CO. LTD.  
KENDY ENTERPRISE LTD.



LINEAR  $\pm$  0.10  
ANGULAR  $\pm$  0.50  
UNSPECIFIED TOLERANCE

TITLE: Cosmetic	MODEL NAME: Wahoo Bluetooth Low energy	VERSION NO: 1.2
PART NO: B4-4210B00WA	MODEL NO: WA59500	DATE: 29/10/2011
MAT'L: /	SCALE: 1:1	DOC CONTROL NO: 004-4377
FINISH: /	QTY: 1	DWN
		CHKD
		APPD

1.2	Add bluetooth logo	29/10/11
1.1	Change logo & P/N	25/10/11
REV.	REVISIONS	DATE