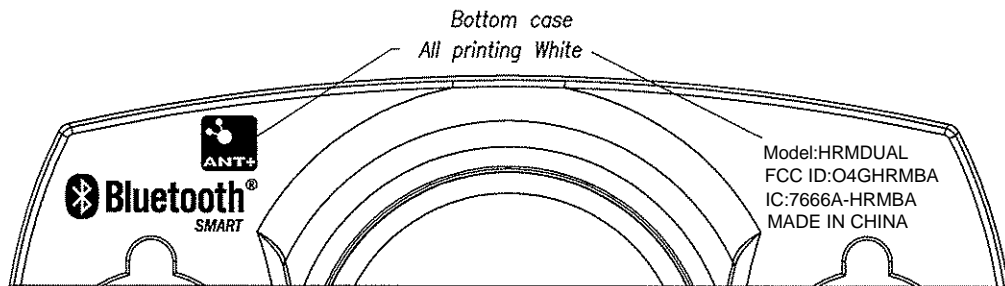
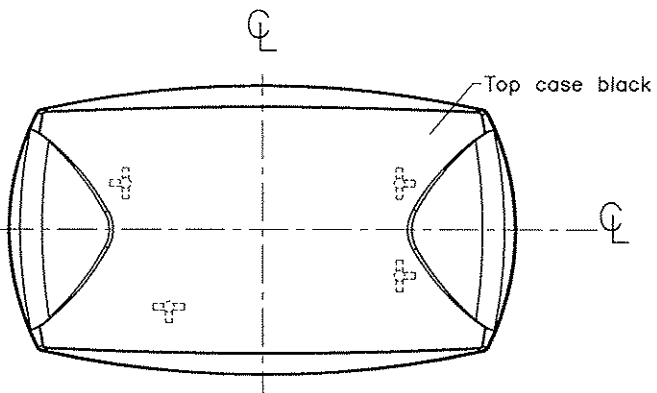


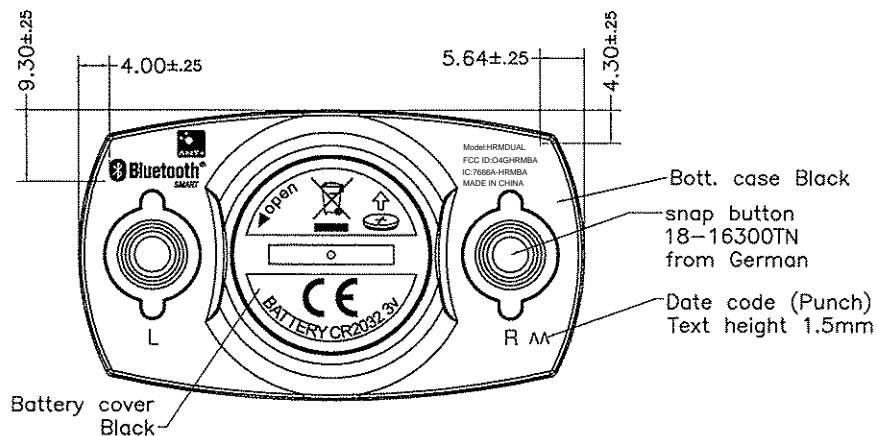
A B C D E



Scale 2:1



Top case
P/N:17-4210BABK



Bottom case P/N:A1-4220E137

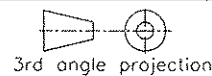
1
2
3
4

must be check for above

用3M透明膠紙(#600)壓貼在表面拉3次。
 (L): 浸24小時5%鹽水後不可出現腐蝕現象。
 : 用1Bar內壓浸水看汽泡

ALL DIMENSIONS IN MM

DAYTON INDUSTRIAL CO. LTD.
 KENDY ENTERPRISE LTD.



LINEAR ± 0.10
 ANGULAR ± 0.50
 UNSPECIFIED TOLERANCE

TITLE: Cosmetic	MODEL NAME: Dayton Dual HR strap	VERSION NO: 1.0
PART NO: B4-4210B04DA	MODEL NO: DA21700	DATE: 29/5/2014
MAT'L: ABS	SCALE: 1:1	DOC CONTROL NO: 005-1884
FINISH: /	QTY: 1	SHEET 1 OF 1
REV.	REVISIONS	DATE
	DWN	CHKD
		APPD

A B C D E