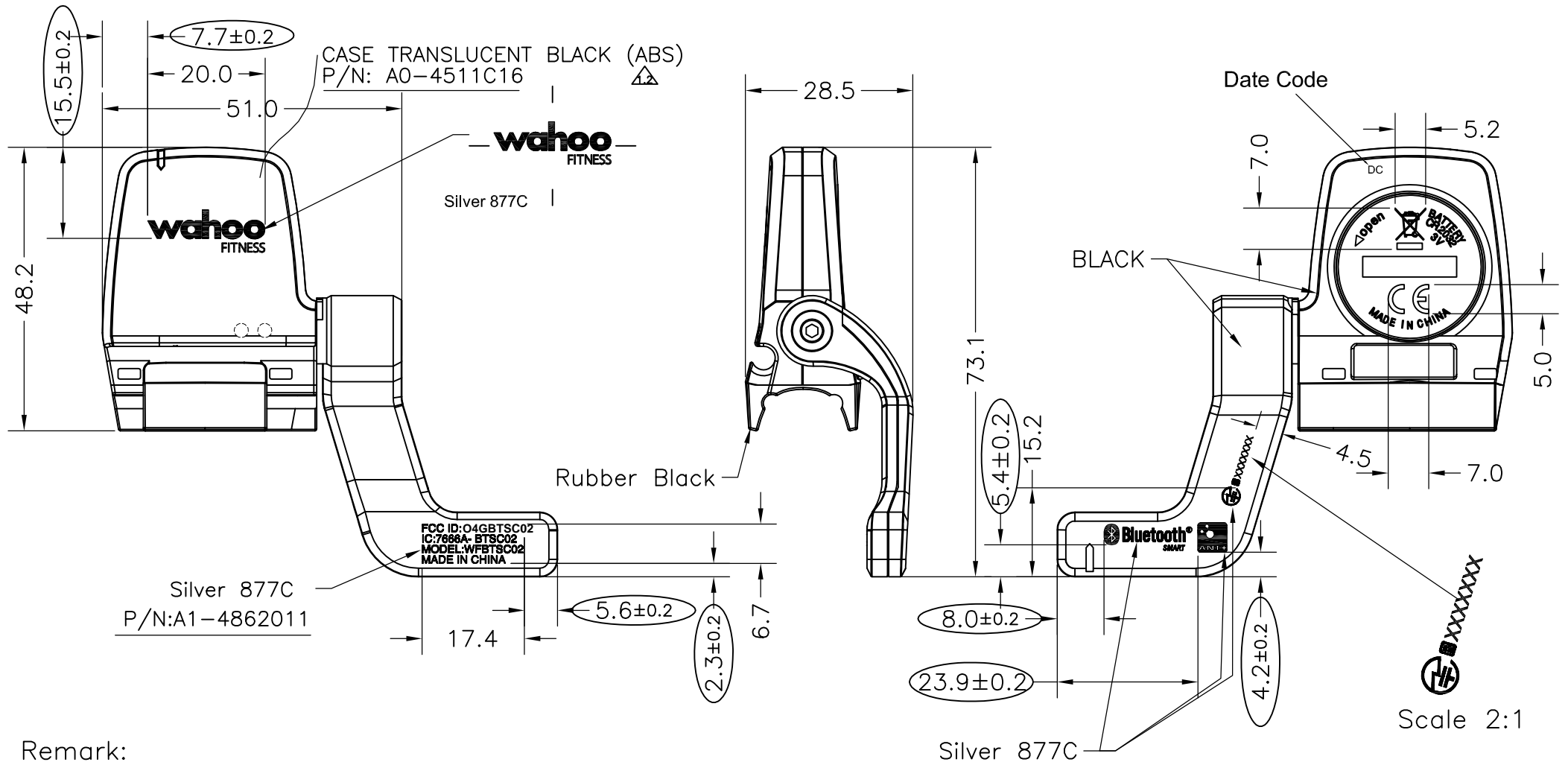


FOR REF. ONLY



Remark:

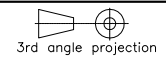
所有物料須符合 RoHS 規格  
 所有  $\bigcirc$  內尺寸均須檢測

絲印黏附力測試: 用3M透明膠紙(#600)壓貼在表面拉3次。

Silver 877C  
 P/N:A0-4406A16

DO NOT SCALE DRAWING

DAYTON INDUSTRIAL CO. LTD.  
 KENDY ENTERPRISE LTD.



LINEAR  $\pm 0.10$   
 ANGULAR  $\pm 1.0$   
 UNSPECIFIED TOLERANCE

|        |                             |             |                          |              |           |         |                 |           |       |        |
|--------|-----------------------------|-------------|--------------------------|--------------|-----------|---------|-----------------|-----------|-------|--------|
| TITLE: | COSMETIC DRAWING            | MODEL NAME: | Wahoo BLE/Ant+ Combo TX. | VERSION NO:  | 1.2       |         |                 |           |       |        |
| 1.2    | Revisie top material to ABS | 10/9/14     | PART NO:                 | B9-WA4550000 | MODEL NO: | WA45500 | DATE:           | 10/9/2014 |       |        |
| 1.1    | Revisie top material to PC  | 31/7/14     | MAT'L:                   | ABS          | SCALE:    | 1:1     | DOC CONTROL NO: | 005-1983  | SHEET | 1 of 1 |
| REV.   | REVISIONS                   | DATE        | FINISH:                  | QTY:         | DWN       | CHKD    | APPD            |           |       |        |