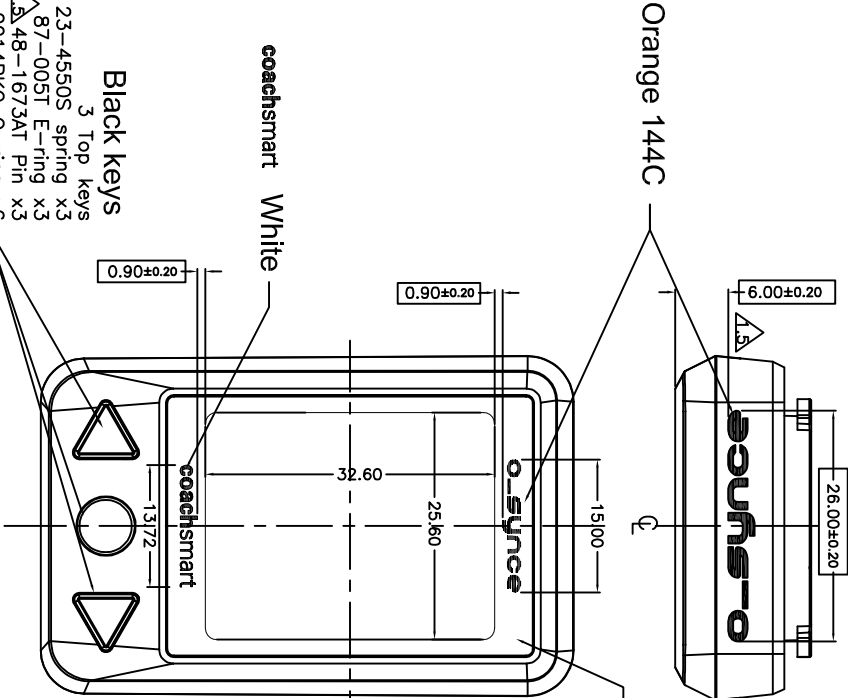
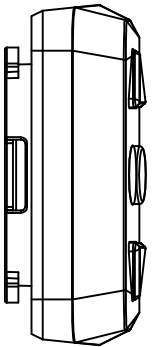
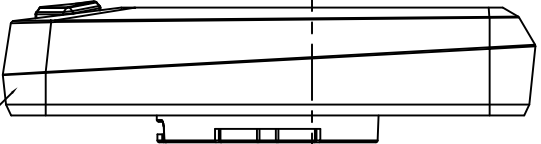


????:
 ????: ?0.6Bar??????
 ????: ?95%????500g????50?
 須符合Rohs及Reach的安全規格。
 為必檢尺寸

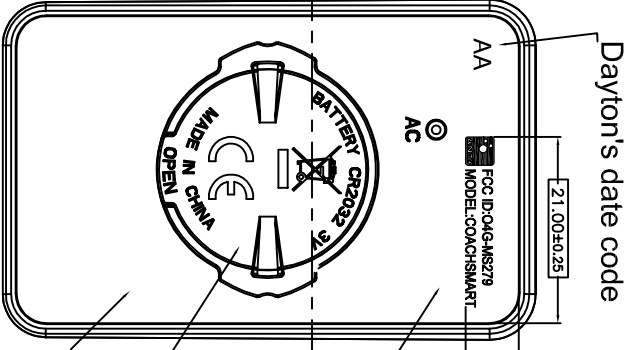
Black keys
 3 Top keys
 23-4550S spring x3
 87-005T E-ring x3
 48-1673AT Pin x3
 38-0014BK0 O-ring x6



P/N:A6-3649023
 Lens w/printing
 black
 Background



black top case



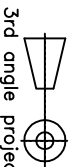
P/N:A1-5318C01

Text White
 black batt door
 black bottom case

P/N: A0-5317A304 Top case+lens+keys

ASSY
 ALL DIMENSIONS IN MM

DAYTON INDUSTRIAL CO. LTD.
KENDY ENTERPRISE LTD.



3rd angle projection

1.6	Update model no.	1/9/15
1.5	Revise silk screen & key pin	23/12/14
1.4	Update battery door	10/12/14
1.3	bottom case changed	11/11/14
1.2	revise AC hole & printing position	25/9/14
1.1	Update P/N	16/9/14
REV.	REVISIONS	DATE

TITLE:	Cosmetic	
PART NO:	B9-MS2790000/B9-MS2790300	MODEL NAME: Coachsmart
MAT'L:	/	SCALE: 1:1
FINISH:	/	QTY: 1
		DWN
		CHKD
		APPD

LINEAR ± 0.10
 ANGULAR ± 0.50
 UNSPECIFIED TOLERANCE
 VERSION NO: 1.6
 DATE: 1/9/2015
 SHEET 1 OF 1