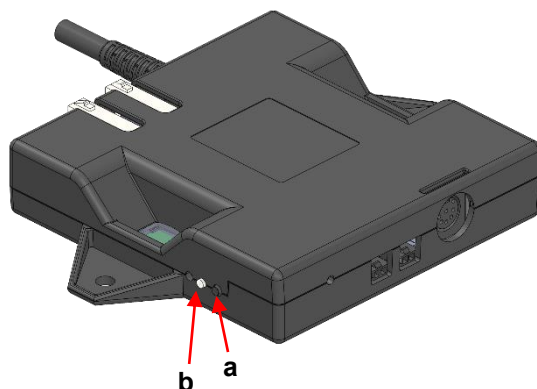
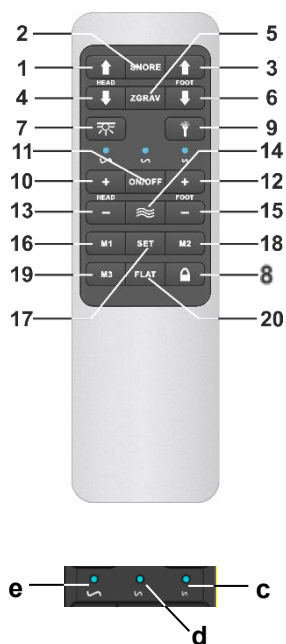


## CU458-2



## RF1058



## GB

### For wireless operation of your motorized comfort bed system

Wireless, ergonomic, reliable, easy handling, elegant design

Activate the pairing mode at the CU458-2.

#### Example for a Pairing method:

1. Press the pairing button **(a)** at the CU458-2 **2x** until the LED **(b)** turns on. You now have 60s for the pairing process.
  2. Press button **(1)** and **(20)** of the RF1058 simultaneously. If the pairing LED or the LED SET flashes **2x**, the programming has been completed.
  3. According to this method you can pair an external Power Socket or a second CU458-2 by using button **(3)** and **(20)**.
- **Note:** The distance between transmitter and receiver should be less than two meters for pairing.

Button	Function
1	Drive M1 up (HEAD)
2	Memory timer (SNORE)
3	Drive M2 up (FOOT)
4	Drive M1 down (HEAD)
5	Memory position (ZGRAV)
6	Drive M2 down (FOOT)
7	Under Bed Light on/off
9	Flashlight on/off
10	HEAD massage higher level
11	Massage on/off
12	FOOT massage higher level
13	HEAD massage lower level
14	Massage wave
15	FOOT massage lower level
16	Memory position <b>M1</b>
17	SET memory
18	Memory position <b>M2</b>
19	Memory position <b>M3</b>
20	Memory position (FLAT)
8	Button LOCK
1 + 20	Pairing System 1
3 + 20	Pairing System 2
13 + 15	Activate: press & release
17 + 20	Activate: press & hold

LED	Function of massage
c	Fast
d	Medium
e	Slow

#### FCC Warning:

Any Changes or modifications not expressly approved by the party responsible for compliance could void the user's authority to operate the equipment.  
This device complies with part 15 of the FCC Rules. Operation is subject to the following two conditions: (1) This device may not cause harmful interference, and (2) this device must accept any interference received, including interference that may cause undesired operation.  
This equipment complies with FCC radiation exposure limits set forth for an uncontrolled environment.

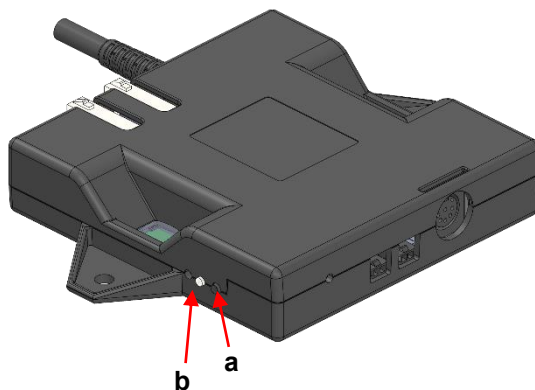
#### ISED C Warning:

This device complies with Innovation, Science, and Economic Development Canada licence-exempt RSS standard(s). Operation is subject to the following two conditions:  
(1) this device may not cause interference, and  
(2) this device must accept any interference, including interference that may cause undesired operation of the device.  
Le présent appareil est conforme aux CNR d'Innovation, Sciences et Développement économique Canada applicables aux appareils radio exempts de licence.  
L'exploitation est autorisée aux deux conditions suivantes :  
(1) l'appareil ne doit pas produire de brouillage, et  
(2) l'utilisateur de l'appareil doit accepter tout brouillage radioélectrique subi, même si le brouillage est susceptible d'en compromettre le fonctionnement.

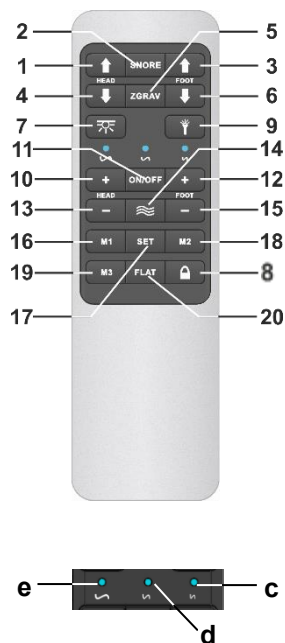
The device is compliance with RF exposure guidelines, users can obtain Canadian information on RF exposure and compliance.

Le présent appareil est conforme Après examen de ce matériel aux conformité ou aux limites d'intensité de champ RF, les utilisateurs peuvent sur l'exposition aux radiofréquences et la conformité and compliance d'acquérir les informations correspondantes.

CU458-2



RF1058



## D

### Zur kabellosen Bedienung Ihres motorisierten Komfortbettes

Kabellos, ergonomisch, zuverlässig, einfache Bedienung, elegantes Design

Aktivieren Sie den Pairing-Modus an der CU458-2.

#### Beispiel für eine Pairing-Methode:

1. Drücken Sie 2x die Pairing-Taste (a) an der CU458-2 bis die LED (b) leuchtet. Der Pairing-Prozess ist für die nächsten 60sec aktiv.
  2. Drücken Sie gleichzeitig die Tasten (1) und (20) am RF1058. Wenn die Pairing LED bzw. die LED-Set 2x blinkt ist das Einlernen abgeschlossen.
  3. Mit den Tasten (3) und (20) können Sie nach der gleichen Methode eine Funksteckdose oder eine zweite CU458-2 pairen.
- **Hinweis:** Für den Pairing-Prozess sollte der Abstand zwischen Sender und Empfänger weniger als zwei Meter betragen.

Taste	Funktion
1	Antrieb M1 auf (HEAD)
2	Memoryposition (SNORE)
3	Antrieb M2 auf (FOOT)
4	Antrieb M1 ab (HEAD)
5	Memoryposition (ZGRAV)
6	Antrieb M2 ab (FOOT)
7	Unterbettbeleuchtung ein/aus Lange drücken; Dimmfunktion
9	Taschenlampe an/aus
10	Massageintensität + (HEAD)
11	Massage ein/aus
12	Massageintensität + (FOOT)
13	Massageintensität - (HEAD)
14	Massage WAVE wechseln
15	Massageintensität - (FOOT)
16	Memoryposition <b>M1</b>
17	Memoryspeichertaste (SET)
18	Memoryposition <b>M2</b>
19	Memoryposition <b>M3</b>
20	Memoryposition (FLAT)
8	Tastensperre
1 + 20	Pairing System 1
3 + 20	Pairing System 2
13 + 15	Aktiviert: Press & Release
17 + 20	Aktiviert: Press & Hold

LED	Massagefunktion
c	Schnell
d	Mittel
e	Langsam

#### FCC Warning:

Any Changes or modifications not expressly approved by the party responsible for compliance could void the user's authority to operate the equipment.  
This device complies with part 15 of the FCC Rules. Operation is subject to the following two conditions: (1) This device may not cause harmful interference, and (2) this device must accept any interference received, including interference that may cause undesired operation.  
This equipment complies with FCC radiation exposure limits set forth for an uncontrolled environment.

#### ISED/C Warning:

This device complies with Innovation, Science, and Economic Development Canada licence-exempt RSS standard(s). Operation is subject to the following two conditions:  
(1) this device may not cause interference, and  
(2) this device must accept any interference, including interference that may cause undesired operation of the device.  
Le présent appareil est conforme aux CNR d'Innovation, Sciences et Développement économique Canada applicables aux appareils radio exempts de licence. L'exploitation est autorisée aux deux conditions suivantes :  
(1) l'appareil ne doit pas produire de brouillage, et  
(2) l'utilisateur de l'appareil doit accepter tout brouillage radioélectrique subi, même si le brouillage est susceptible d'en compromettre le fonctionnement.

The device is compliant with RF exposure guidelines, users can obtain Canadian information on RF exposure and compliance.

Le présent appareil est conforme Après examen de ce matériel aux conformité ou aux limites d'intensité de champ RF, les utilisateurs peuvent sur l'exposition aux radiofréquences et la conformité and compliance d'acquérir les informations correspondantes.