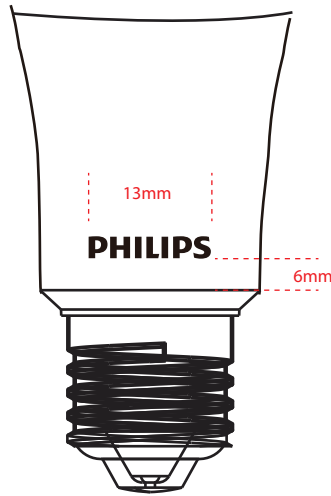
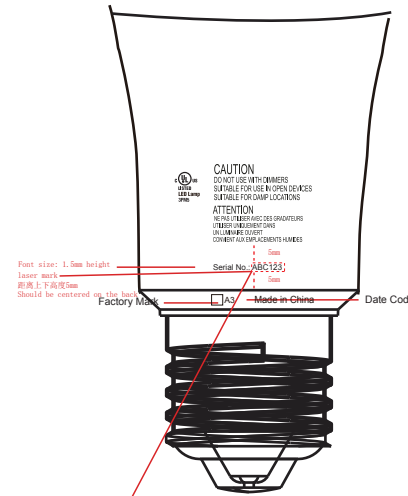
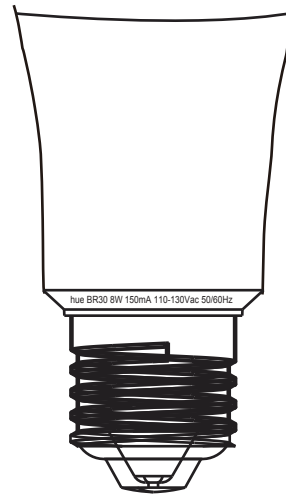


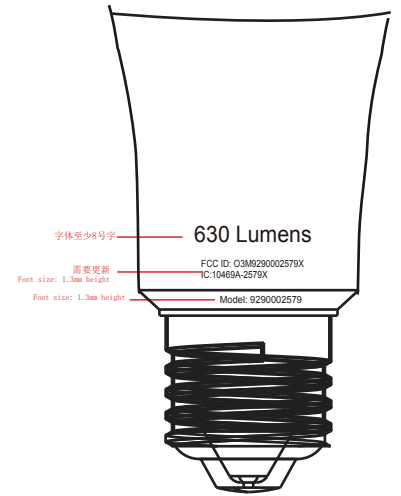
# Notam BR30




FRONT



BACK



 **CAUTION** — 字体高度大于2MM  
 DO NOT USE WITH DIMMERS  
 SUITABLE FOR USE IN OPEN DEVICES  
 SUITABLE FOR DAMP LOCATIONS > 字体高度大于1.5MM  
**ATTENTION** — 字体高度大于2MM  
 NE PAS UTILISER AVEC DES GRADATEURS  
 UTILISER INDIVIDUEMENT DANS  
 UN LUMINAIRE OUVERT > 字体高度大于1.5MM  
 CONVIENT AUX EMPLACEMENTS HUMIDES

COLOR: PANTONE DARK GREY 433U  
 建议最长弧度为20mm

this is a custom laser  
 mark and the heat  
 sink manufacturer  
 should not print it on  
 the heat sink