

FAULTLESS[®]

◀ SECURITY • TECHNOLOGY ▶

USER'S GUIDE



IMPORTANT SAFETY INSTRUCTION



1. To prevent damage to the finish, DO NOT use any abrasives, sharp objects or harsh chemical products containing alcohol, petroleum solvents, acids or acetone to clean this lockset.
2. To prevent damage to the sensitive electronic components, DO NOT allow any liquids to enter lockset while installing or cleaning.



1. Do not attempt to disassemble any internal components of this lockset as this WILL void the limited warranty.
2. Do not drop or hit /strike the lockset as excessive shock may result in permanent damage.
3. Do not use sharp objects to press key buttons.
4. It is Strongly recommended that you always create a written backup of the programming code and individual user codes. Please use the last page of this booklet as your reference.
5. For your Security, please remember to change this lockset's factory default programming code to a PERSONAL programming code prior to normal day to day use of this product.
6. It is STRONGLY recommended that you use only ALKALINE BATTERIES to operate this product.

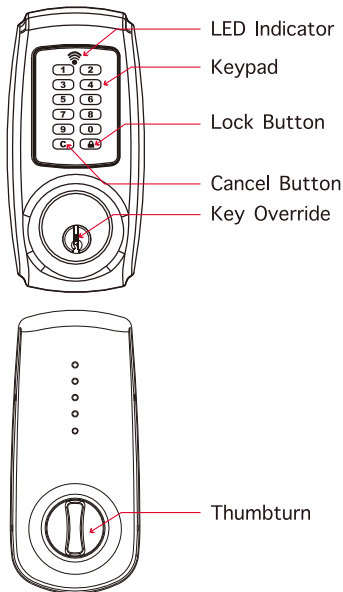
CONTENTS

MAIN OPERATING INSTRUCTIONS	03
PROGRAMMING CODE AND USER CODE	05
COMPONENTS	06
INSTALLATION INSTRUCTIONS	08
SETUP MODE	
01. HOW TO CHANGE PROGRAMMING CODE	25
02. HOW TO ADD AN USER CODE	26
03. HOW TO ADD A PROXIMITY CARD (RFID)	27
04. HOW TO ADD A REMOTE CONTROL (RADIO FREQUENCY, RF)	28
05. HOW TO ADD A SINGLE-USE USER CODE/ PROXIMITY CARD/ REMOTE CONTROL	29
06. HOW TO DELETE AN INDIVIDUAL EXISTING USER CODE	31
07. HOW TO DELETE AN INDIVIDUAL EXISTING PROXIMITY CARD	32
08. HOW TO DELETE AN INDIVIDUAL EXISTING REMOTE CONTROL	33
09. HOW TO DELETE ALL EXISTING USER CODES AT ONCE	34
10. HOW TO DELETE ALL EXISTING PROXIMITY CARDS/ REMOTE CONTROLS AT ONCE	35

CONTENTS

11. HOW TO DISABLE ALL EXISTING USER CODES / PROXIMITY CARDS / REMOTE CONTROLS (VACATION MODE)	36
12. HOW TO DISABLE BUTTON SOUND (MUTE MODE)	37
13. HOW TO ENABLE AUTO-LOCK MODE	38
14. HOW TO SETUP AUTO-LOCK TIME DELAY	39
15. HOW TO ENABLE DOUBLE AUTHORIZATION MODE	40
16. HOW TO RESTORE FACTORY SETTING	41
17. HOW TO REPLACE A BATTERY OF REMOTE CONTROL	42
 OPERATION MODE	
01. HOW TO LOCK (i.e. TO ENABLE AUTO-LOCK)	43
02. HOW TO UNLOCK	44
03. SAFE MODE	45
TRUBLESHOOTING GUIDELINE	46
DECLARATIONS AND SAFETY STATEMENTS	51
DATA RECORDS	52

MAIN OPERATING INSTRUCTIONS



LED Indicator

Keypad

Lock Button

Cancel Button

Key Override

Thumbturn

This manual is intended for both Proximity Card Electronic Deadbolt and Remote Control Electronic Deadbolt.

Any description which is related to proximity card (RFID technology) can only be applied on Proximity Card Electronic Deadbolt.



Any description which is related to remote controller (RF technology) can only be applied on Remote Control Electronic Deadbolt.

LED Indicator

1. Green light: Code entered is valid.
2. Red light: Code entered is invalid / Under setup mode.
3. Yellow light: Low battery warning.

※ All batteries should be replaced if yellow light flashes.

Keypad

1. To unlock the lockset by entering a valid code.
2. To program the lockset.
3. When mis-typing codes during any process, press Cancel Button  to cancel the wrong codes and re-enter the correct codes if the yellow light is on or keeps flashing.
4. To lock the lockset by pressing Lock Button  .

Key Override

To unlock the lockset by a valid key.

Thumbturn

To lock or unlock the lockset manually.

Inductive Zone & RFID Card :

(only available for Proximity Card Electronic Deadbolt)

1. Inductive zone is around the keypad.
2. The proximity card we offer is the latest Radio Frequency Identification (RFID) technology, compatible with standard Mifare -13.56 MHz.
3. Unlock the door by touching the inductive zone with the proximity card.

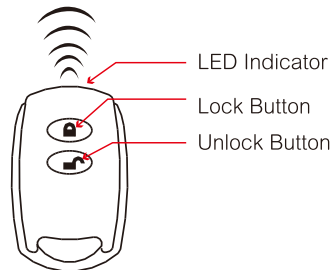


Remote Control :

(Radio Frequency, RF)

(only available for Remote Control Electronic Deadbolt)

1. There is one unlock button and one lock button on the remote control.
2. Effective range of the controller is designed to be within 15 meters (50 feet). However, the range could be affected by ambient temperature and humidity.
3. The LED light of the remote control will be turned on when holding the Lock Button for over 3 seconds.



PROGRAMMING CODE

1. Only one programming code will be allowed. The lockset can be programmed only by entering the programming code.
2. A programming code is restricted to 6-digits in length only.
The pre-set programming code is **1-2-3-4-5-6** (factory setting).
Please change it before operating the lockset.
3. The programming code can be used to unlock the lockset.

USER CODE

1. A user code can be from four (4) to six (6) digits in length.
2. A user code can be changed (added or deleted) by accessing the setup mode.
3. The lockset cannot be programmed by entering any of the user codes.
4. The lockset will be unlocked by entering one user code.

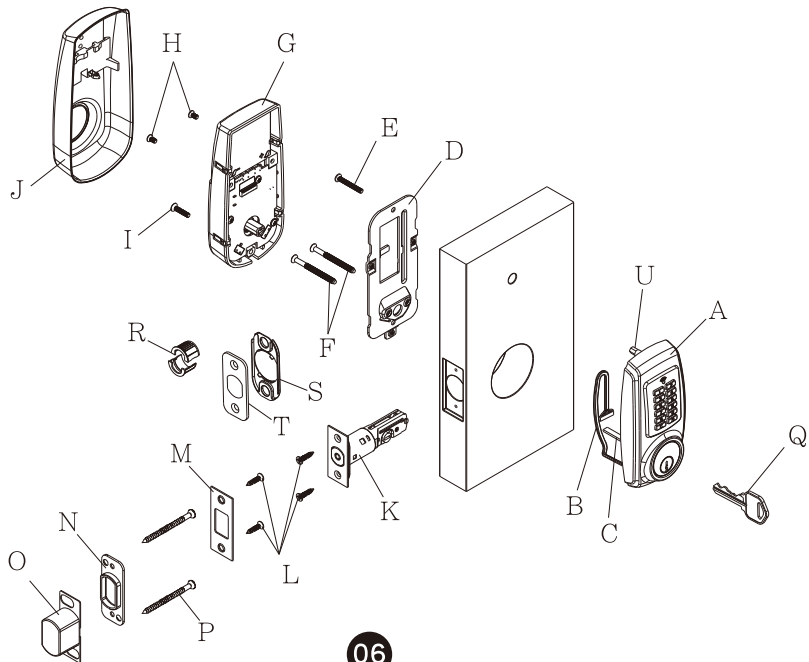
Note:

User code capacity: 10 sets maximum.

Proximity card capacity: 10 sets maximum.

Remote control capacity: 10 sets maximum.

COMPONENTS



COMPONENTS

A. Exterior Assembly

B. Cable

C. Tailpiece

D. Mounting Plate

E. 1-1/4" (32mm) Screw (1)



F. 2-1/8" (54mm) Mounting Bolt (2)



G. Interior Assembly

H. 5/16" (7.8mm) Screw (2)



I. 13/16" (20mm) Screw (1)



J. Decorative Cover

K. Adjustable Latch

(Square or radius faceplate or drive-in)

L. 6/8" (19mm) Wood Screw (4)



M. Strike Plate

N. Reinforced Strike Plate

O. Dust Box

P. 3" (76mm) Wood Screw (2)

Q. Key (2)

R. Drive in Collar (Optional)

S. Bottom Plate (Optional)

T. Square or Radius Faceplate (Optional)

U. Screw post

INSTALLATION INSTRUCTIONS

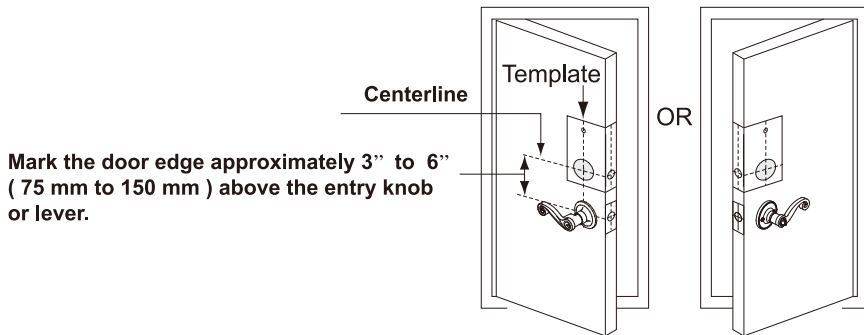
1 Mark the Door with a Template Sheet (attached separately)

Note: If the door is pre-drilled, please begin with page 13.

a. Use TEMPLATE to mark centerline on door for for deadbolt about 3" to 6"

(75 mm to 150 mm) above the existing knob or lever.

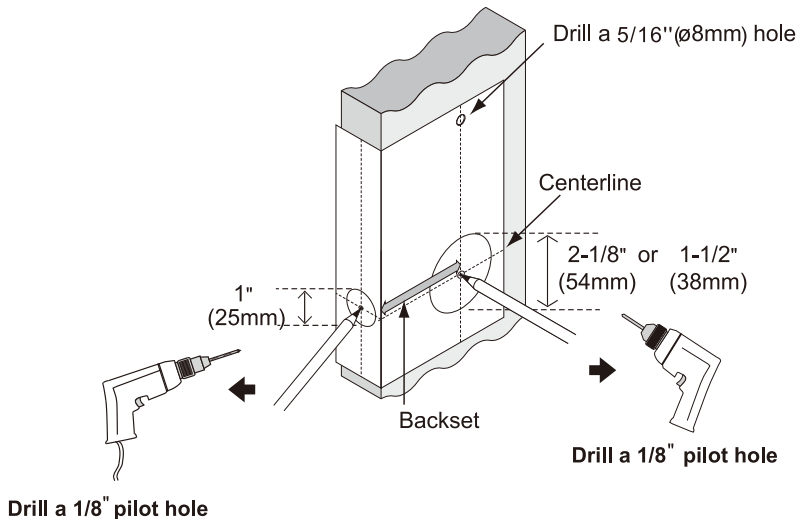
b. Stand so door swings towards you. Align template on centerline and fold template as shown.



INSTALLATION INSTRUCTIONS

2 DRILL PILOT HOLES

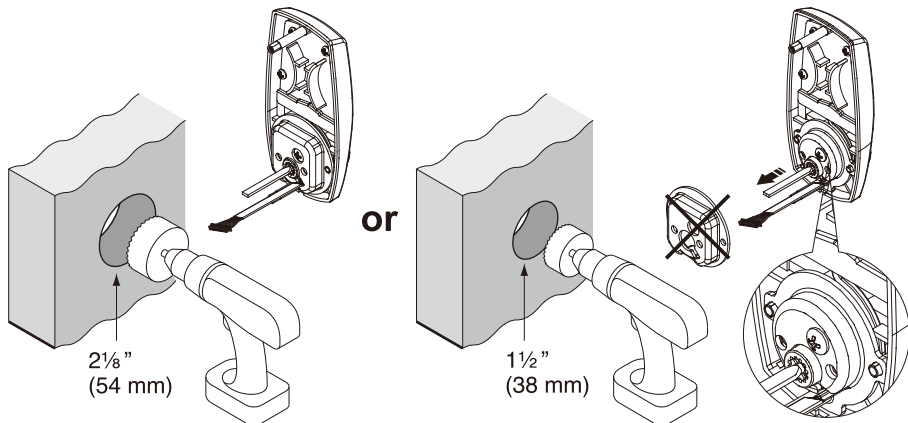
Select a backset. Mark and drill pilot holes as shown below.



INSTALLATION INSTRUCTIONS

3-1 DRILL HOLES

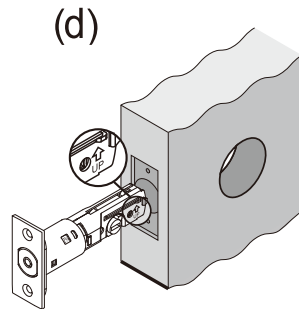
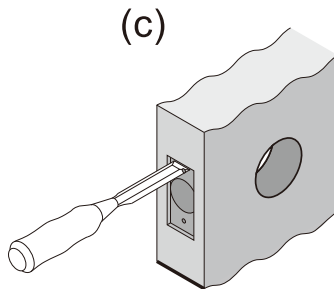
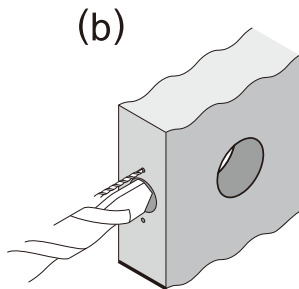
a. Drill a 2-1/8" (54 mm) or 1-1/2" (38 mm) hole on the door face from both sides to avoid wood splitting.



3-2

DRILL HOLES

- b. Drill a 1" (25 mm) hole on the door edge for the latch.
- c. Use the faceplate as a template for mortise and pilot holes. Chisel 1/8" (3 mm) deep. Faceplate should fit flush.
- d. Install the appropriate latch type as shown below.



Note: For a drive-in latch, please refer to page 14.

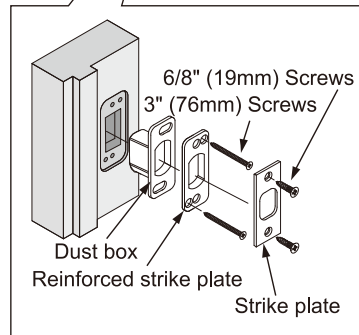
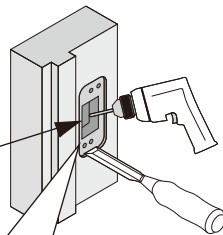
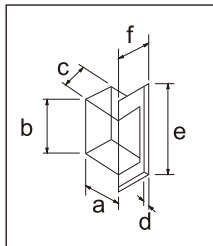
4 PREPARE DOOR JAMB AND INSTALL STRIKE PLATE

Door jamb hole dimension

- a. 1-3/16" (30mm)
- b. 1-9/16" (40mm)
- c. 1" (25mm)

Strike dimension

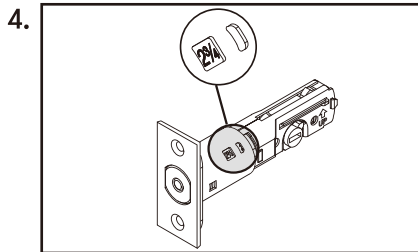
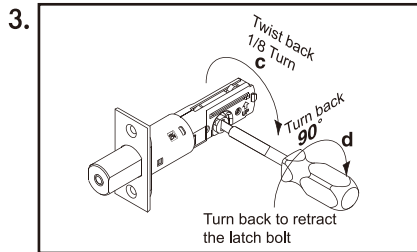
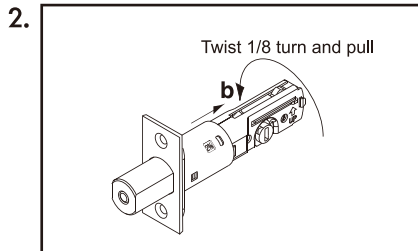
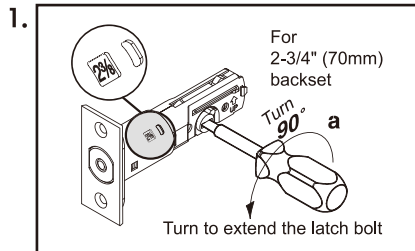
- d. 5/32" (4mm)
- e. 2-3/4" (70mm)
- f. 1-1/8" (28mm)



Note: The dust box and reinforced strike plate are optional. It is recommended to install both of them for maximum security.

1A LATCH BACKSET ADJUSTMENT

Latch backset adjustment only needs to be made if your door needs a 2-3/4" (70 mm) backset. Please follow diagrams below as referece.
 (Skip this if your door has a 2-3/8" (60 mm) backset)

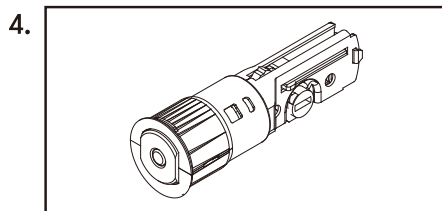
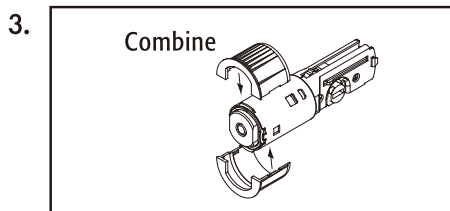
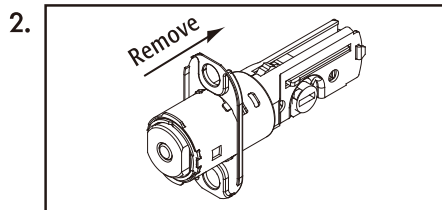
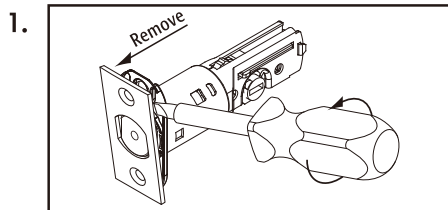


INSTALLATION INSTRUCTIONS

1B DRIVE-IN COLLAR or FACEPLATE ADJUSTMENT

In addition to 2-3/8" (60 mm) or 2-3/4" (70 mm) adjustable backset, you may change the faceplate to drive-in collar.

(If your door is not a drive-in latch type, please skip this step.)



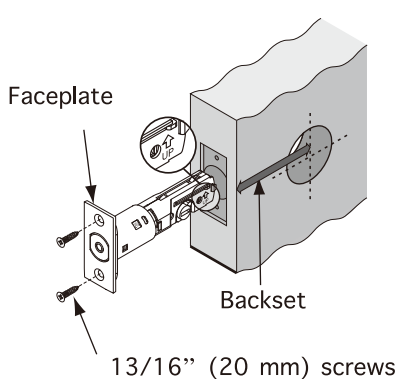
Note: Reverse the above steps if you need to change the drive-in collar to the faceplate.

INSTALLATION INSTRUCTIONS

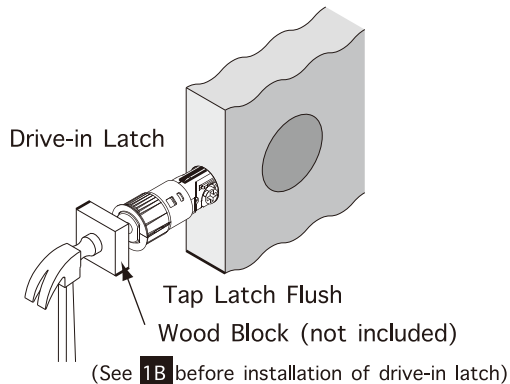
2 INSTALL LATCH IN MORTISED AREA OR INSTALL DRIVE-IN LATCH

If the door is designed for a standard type latch, please install the latch with 13/16" (20mm) screws provided.

If a drive-in latch is used, please tap it into the appropriate position.



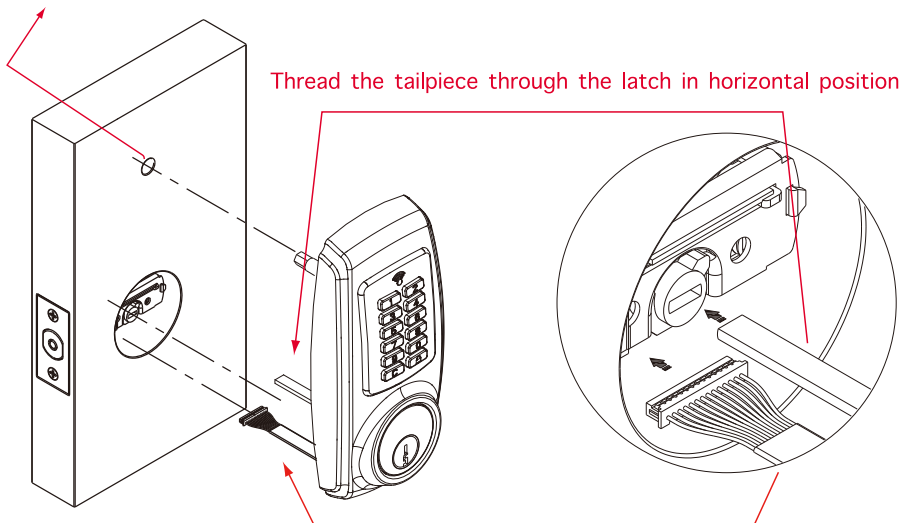
or



Note: Make sure that the latch moves into and out of the strike plate smoothly. This lock has a motorized bolt and must not drag or bind when moving.

INSTALLATION INSTRUCTIONS

- 5** Drill a 5/16" (Ø 8mm) hole on the door when the screw post is installed.

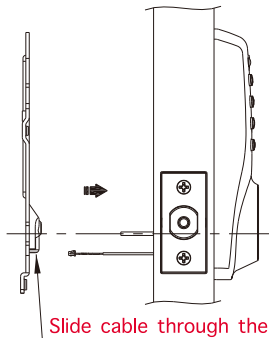


Thread the tailpiece through the latch in horizontal position.

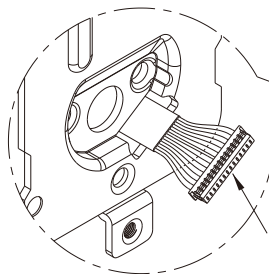
Thread the cable through the hole and under the latch.

INSTALLATION INSTRUCTIONS

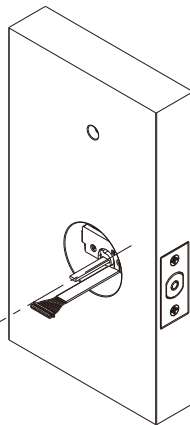
6



Slide cable through the notch of mounting plate.

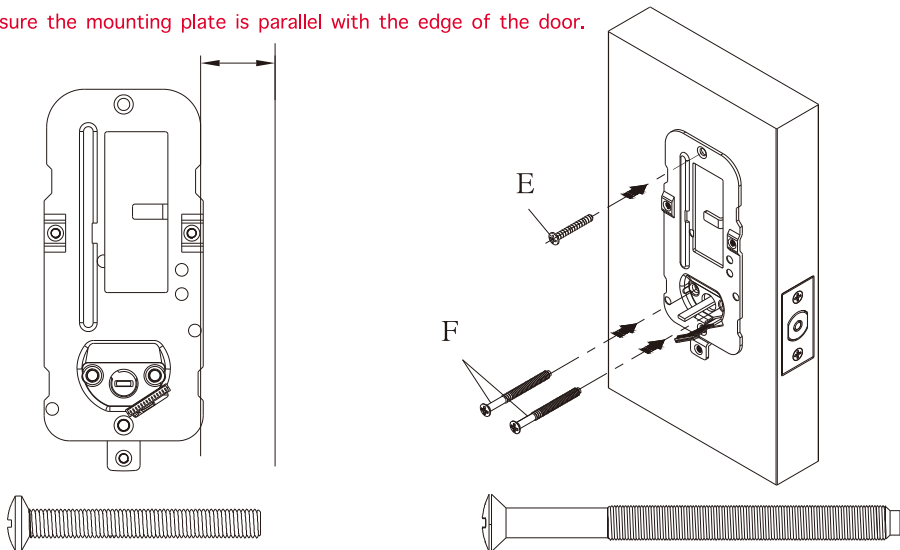


The bulged part of mounting plate must face toward the door.



7

Make sure the mounting plate is parallel with the edge of the door.



Fasten the mounting plate with 2-1/8" (54mm) screws*2 and 1-1/4" (32mm) screw*1.

Note: Screw (E) is an optional screw. We recommend using screw (E) for the stability of the lockset.

8 REMOVE THE DECORATIVE COVER

1. Hold on the lip of the decorative cover.

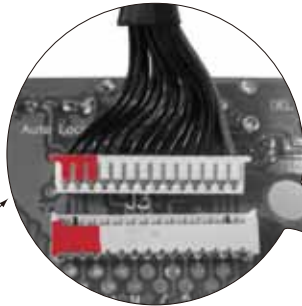


2. Put the thumbs on the thumbturn.



3. Remove the decorative cover by pushing the thumbturn.

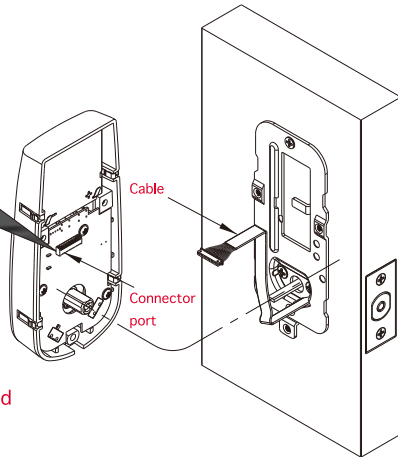




Connect the cable into the connector port firmly.
The metal connector side should face outside.

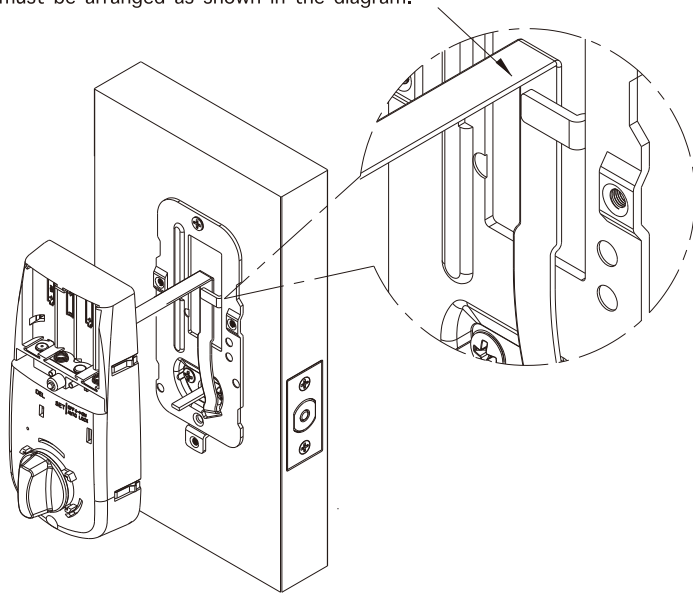
Note:

The red portion of the cable is aligned with the red portion of the connector port.



12

The cable must be arranged as shown in the diagram.



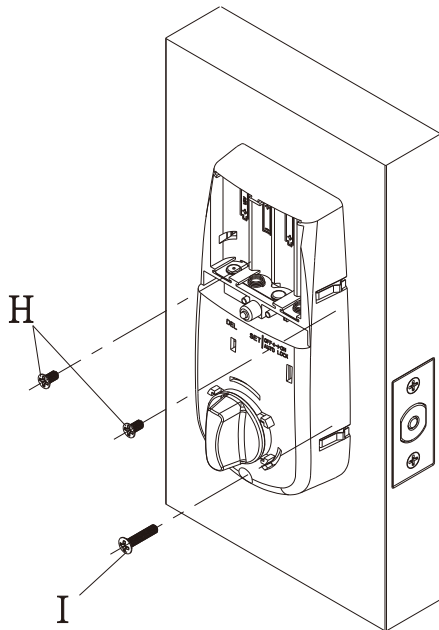
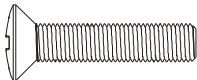
21

12

Insert 5/16" (7.8mm) screws (H) and tighten them.



Insert a 13/16" (20mm) screw (I) and tighten it.





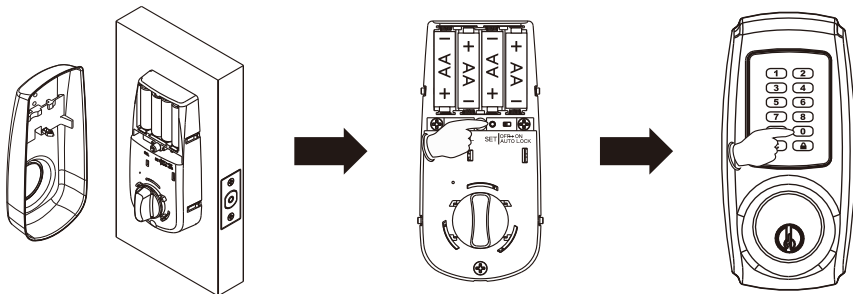
INSTALLATION INSTRUCTIONS

AUTOMATIC - BOLT DIRECTION DETERMINATION

Note:

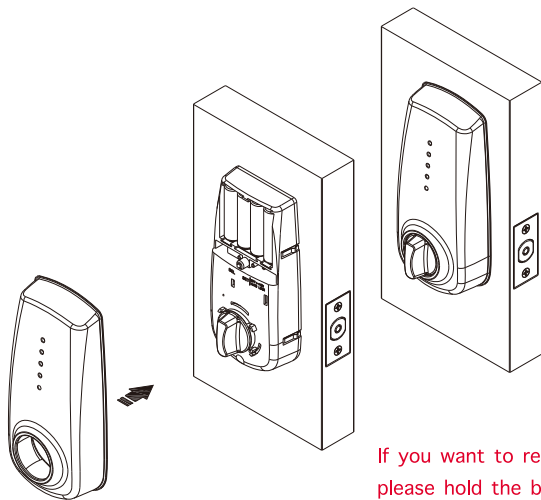
After installing the lock on the door, do the bolt direction determination first and then restore it to the factory setting.

1. Press and hold [SET] button for over 2 seconds. The Red LED will light up and beep twice. You are now under setup mode.
2. Enter 123456 (or current programming code) and then press  button. Enter [00] and press  button. The Red LED will light up for 10 seconds. The lockset will have the bolt direction set.



INSTALLATION INSTRUCTIONS

We recommend to re-install the decorative cover after completing setup mode in page 25 to page 42.



If you want to remove the decorative cover,
please hold the bottom of the decorative cover and pull it
toward yourself.

HOW TO CHANGE PROGRAMMING CODE

Important:

The pre-set programming code is 1-2-3-4-5-6.

Please change the programming code before operating the lockset.

Steps are as follows:

1. Press and hold [SET] button for over 2 seconds. The Red LED will light up and beep twice.

You are now under setup mode.

2. Enter 123456 (or current programming code) and then press button  .

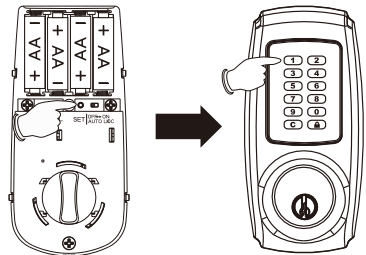
Enter [10] and press button  .

Enter new programming code (six digits) and press button  .

The Red LED will light up for 10 seconds. The lockset will have the new programming code set.

Note:

1. The lockset will go back to the standby status if no button is pressed in 10 seconds after accessing setup mode.
2. If you enter new programming code in 10 seconds after accessing setup mode, the last programming code will be stored in the lockset.



HOW TO ADD AN USER CODE


Steps are as follows:

1. Press and hold [SET] button for over 2 seconds. The Red LED will light up and beep twice.


You are now under setup mode.

2. Enter 123456 (or current programming code) and then press button .

Enter [20] and press button .

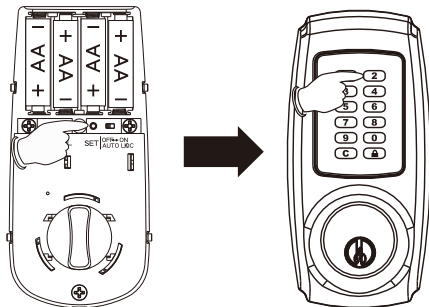
Enter new user code (four to six digits) and press button .

The Red LED will light up for 10 seconds. The lockset will have the new user code set.

(If a number of user codes are to be added at the same time, enter new user code and press , and repeat above step prior to the indicator light timing out 10 seconds after the last press of a keypad button.)

Note:

1. The lockset will go back to the standby status if no button is pressed in 10 seconds after accessing setup mode.



SETUP MODE

HOW TO ADD A PROXIMITY CARD (only available for Proximity Card Electronic Deadbolt)

Steps are as follows:

1. Press and hold [SET] button for over 2 seconds.

The Red LED will light up and beep twice. You are now under setup mode.

2. Enter 123456 (or current programming code) and then press button  .

Enter [20] and press button  . Touch the inductive zone with the card.

The Red LED will light up for 10 seconds. The lockset will have the new card set.

(If a number of proximity cards are to be added at the same time, use new card to touch the inductive zone, and repeat above step prior to the indicator light timing out 10 seconds after the last press of a keypad button.)

Note:

1. The lockset will go back to the standby status if no button is pressed in 10 seconds after accessing setup mode.
2. Please use or purchase proximity cards compatible with standard Mifare -13.56 MHz if you want to have more than one proximity card.
3. Proximity card capacity: 10 sets maximum.

