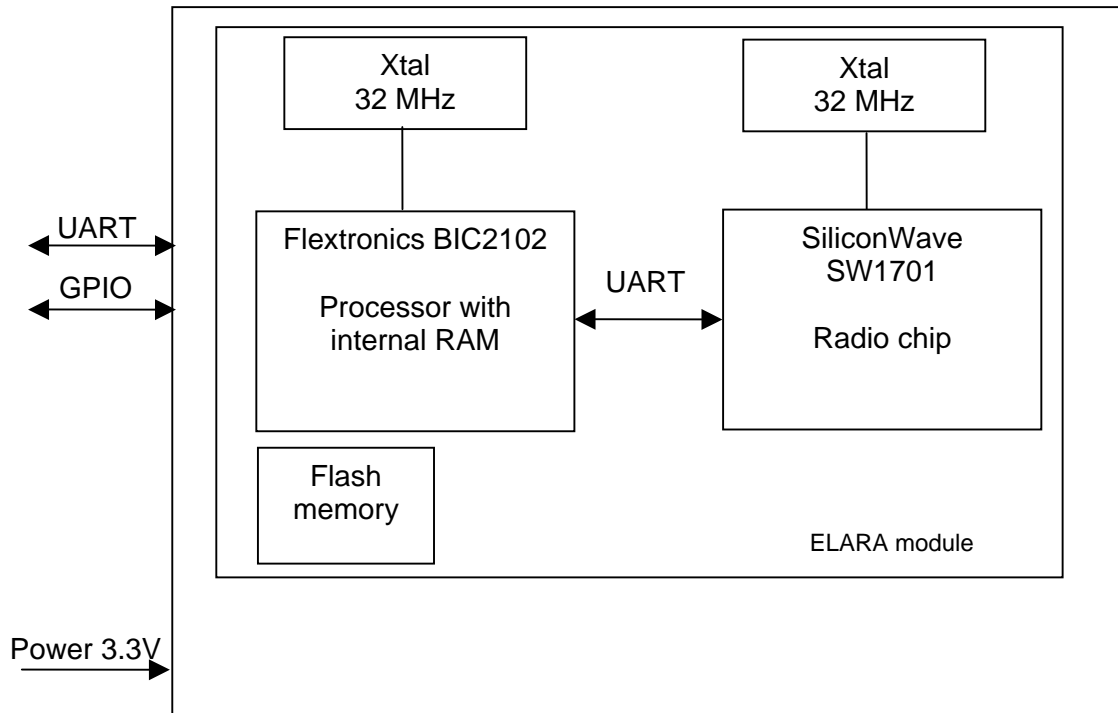


2 BLUETOOTH MODULE V2

2.1 Block diagram



2.2 Schematics

See Schema BTV1.2 + ECR.pdf

2.3 Pictures

See BTV2.jpg

See BTV2_backside.jpg