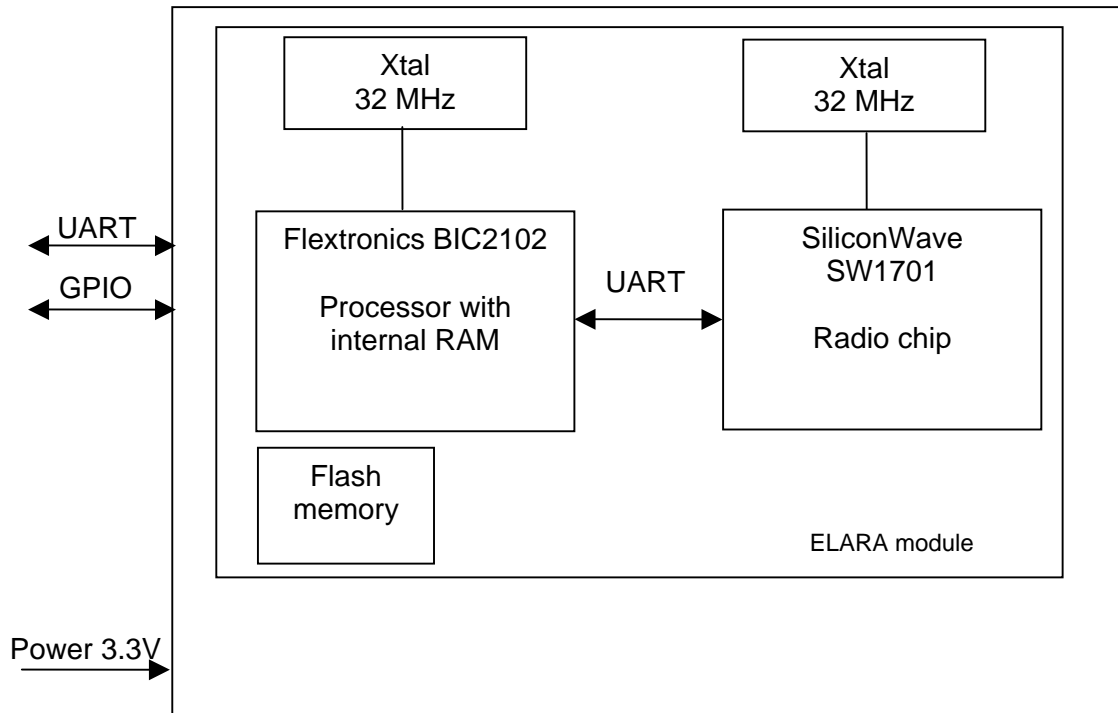


## 2 BLUETOOTH MODULE V2

### 2.1 Block diagram



### 2.2 Schematics

See Schema BTV1.2 + ECR.pdf

### 2.3 Pictures

See BTV2.jpg

See BTV2\_backside.jpg