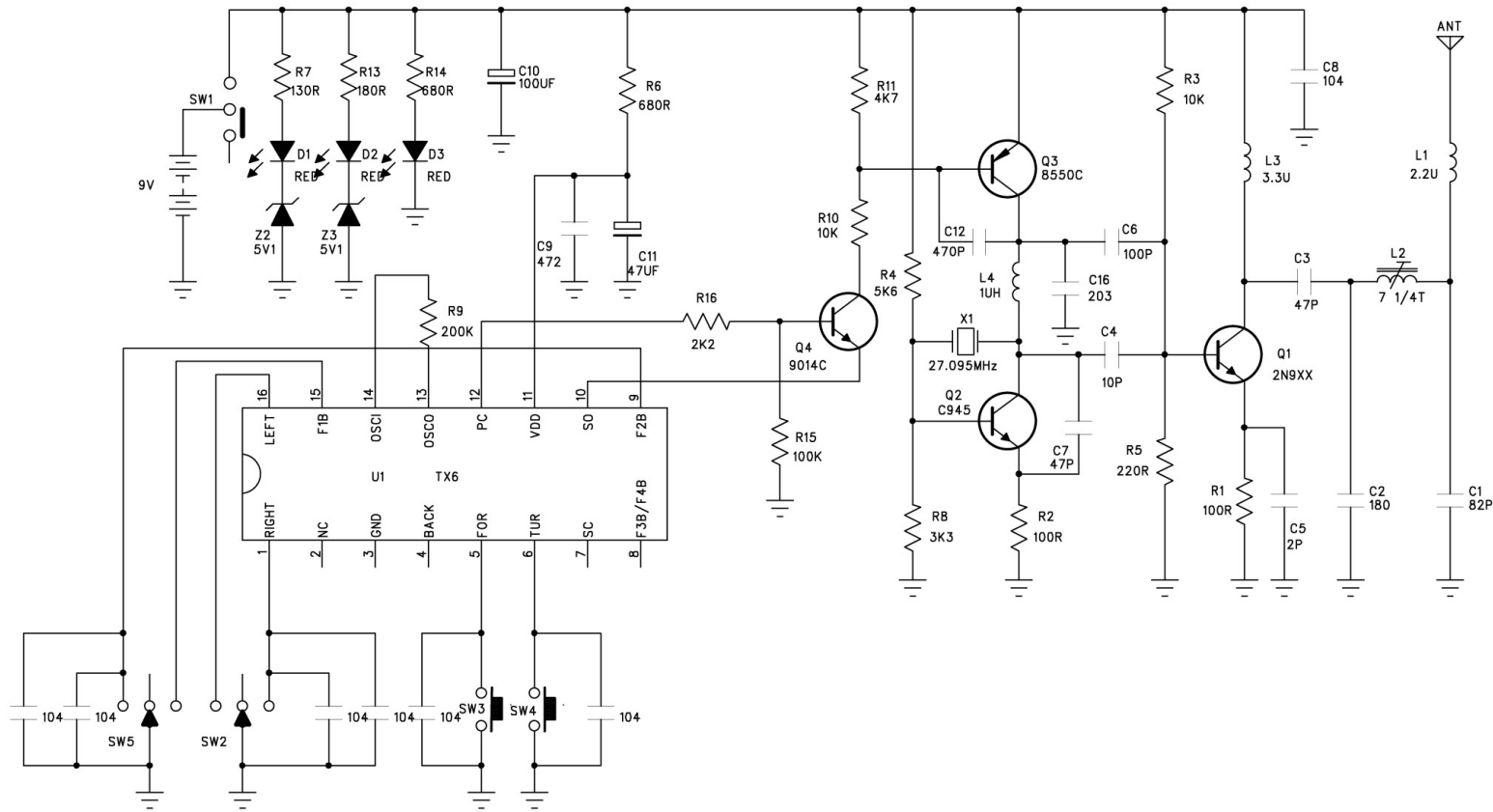


27.095 MHz



GOLDEN BRIGHT MANUFACTURER LTD		
ITEM NAME:9805 TX.SCH		REV: 00
PCB NO: 9805 TX-00	DWG NO:	00
DRAWN: 曾小	DATE:2005/10/17	SHEET: 1 OF 1
APP.BY:ZXP 曾小	DATE:2006/2/23	