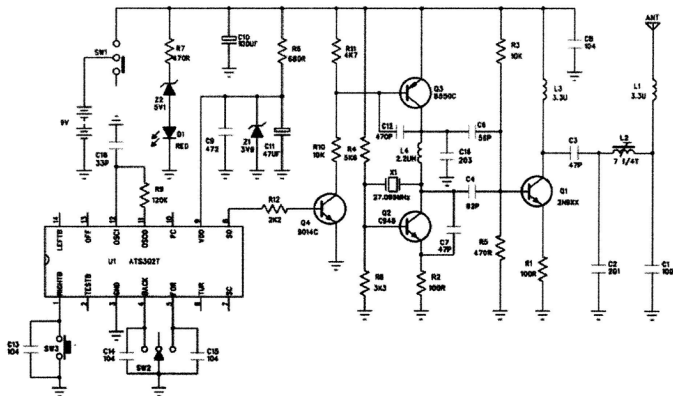


26.96-27.28 MHz



9804 TX Block Diagram of Application Circuit (27.095MHz)

GOLDEN BRIGHT MANUFACTURER LTD		
ITEM NAME: SCH		REV:
ITEM NO: RX-00	DWG NO:	00
DRAWN: <i>[Signature]</i>	DATE: 2004/10/30	SHEET:
APP. BY: ZXP	DATE: 2005/1/28	1 OF 1