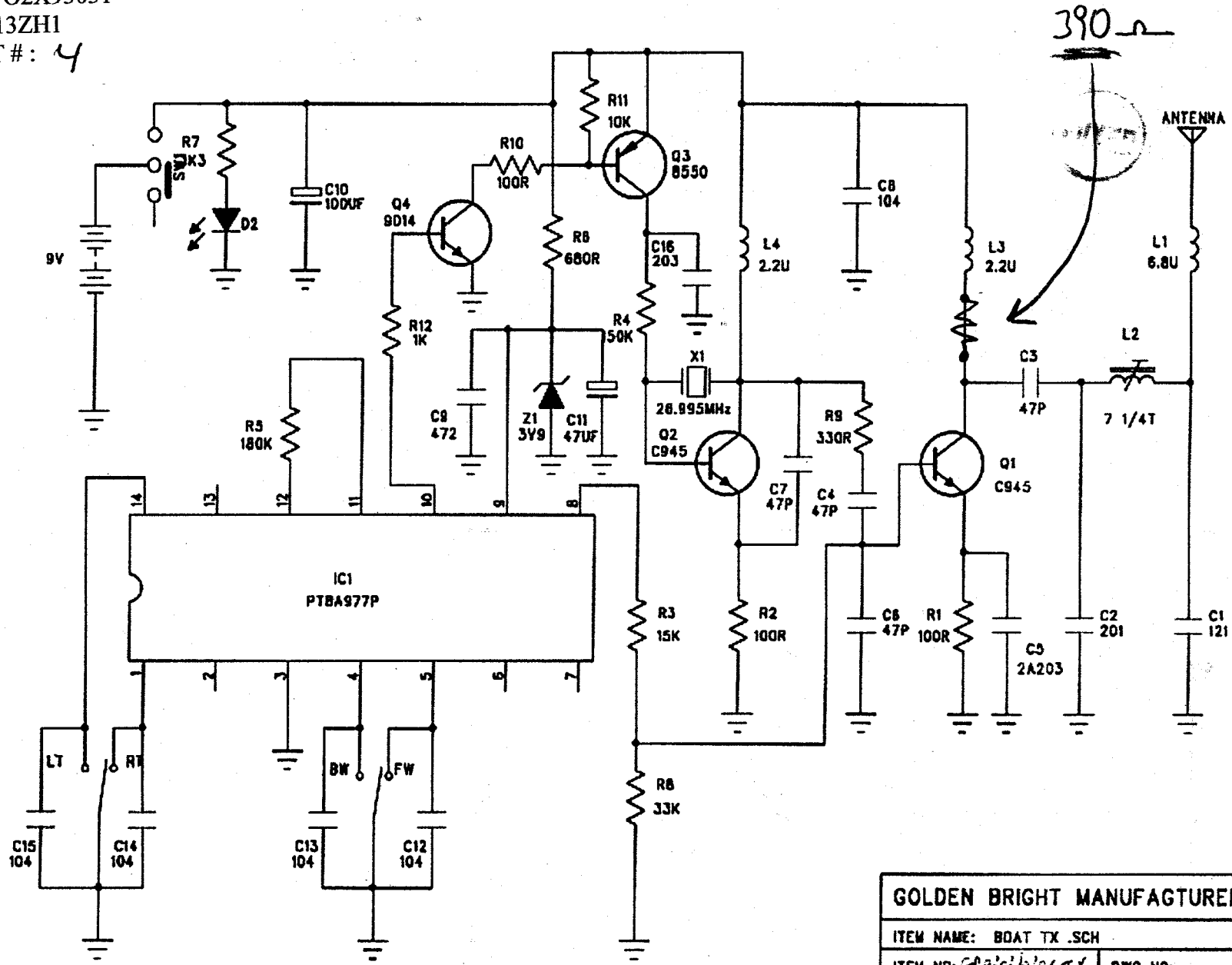


GOLDEN BRIGHT  
 FCC ID : O2X93031  
 JOB : 1113ZH1  
 EXHIBIT # : 4

PLACE A 390 OHM RESISTOR IN SERIES WITH L3



GOLDEN BRIGHT MANUFACTURER LTD		
ITEM NAME: BOAT TX .SCH		REV: 00
ITEM NO: <i>GP7103/204 TX</i>	DWG NO:	
DRAWN: ZXP	DATE: 20010927	SHEET:
APP BY: YXP	DATE: 20010927	1 OF 1