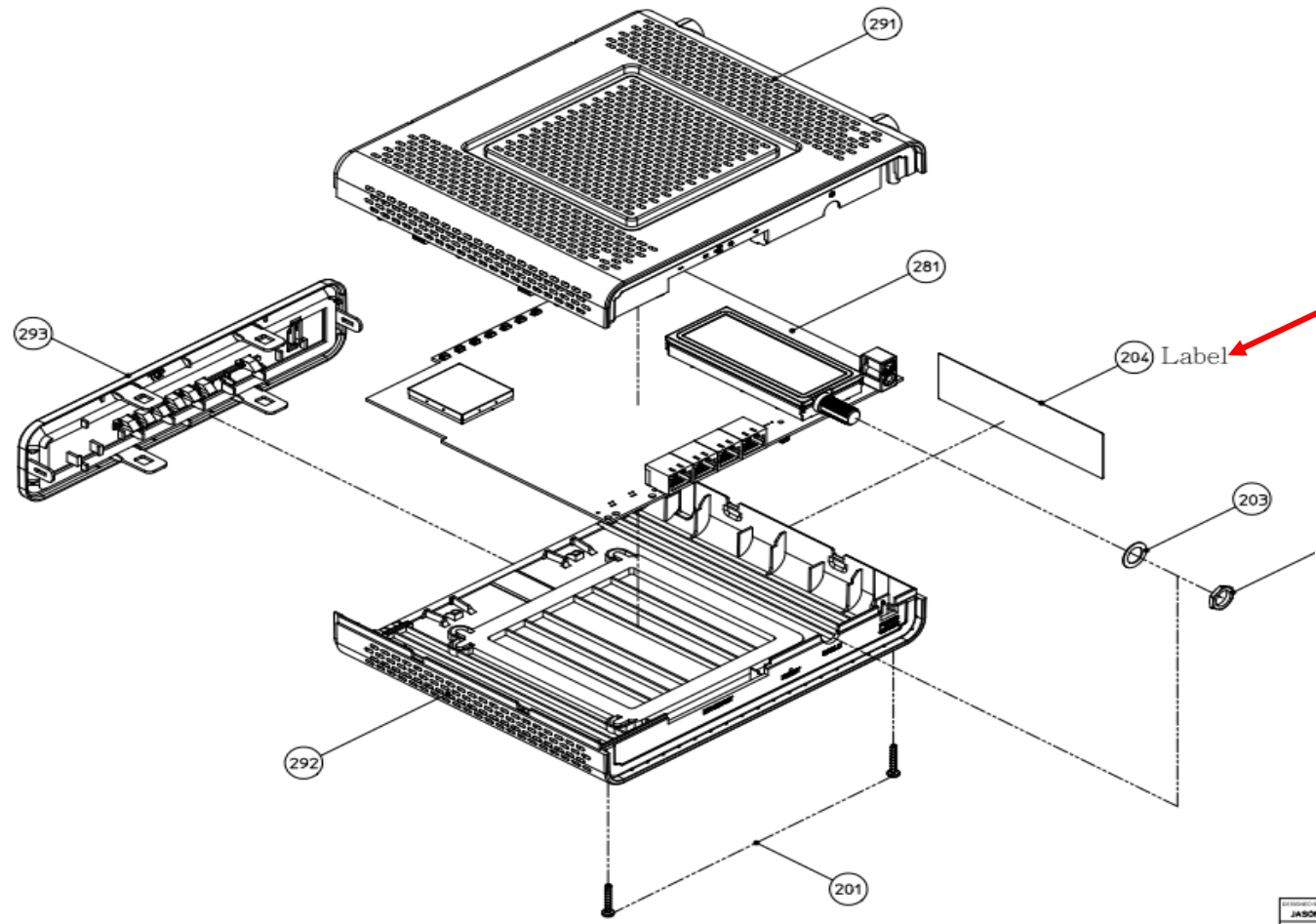




REV.	DATE	DESCRIPTION	BY	CHKD.
01		NEW RELEASE	JAL/30/2012	GVP CHANG





cbn
 Model: CG6640A
 DOSSIS 3.0

P/N: CCG866640000C
 Input Voltage: +12VDC

S/N: xxxxxxxxxxxxxxxxxxxxxxxx


HTC MAC ID: xxxxxxxxxxxxxxxx


FCC ID: O2UCG6640A

FC Model: CG6640
 Tested To Comply
 With FCC Standards
 FOR HOME OR OFFICE USE

Modem NO. 012345678
 ASSEMBLED IN CHINA

THIS DOCUMENT IS THE EXCLUSIVE PROPERTY OF CEMTEL (INDONESIA) PTY LTD AND SHALL NOT BE REPRODUCED OR COPIED OR TRANSMITTED IN ANY FORM OR BY ANY MEANS WITHOUT PERMISSION OF CEMTEL (INDONESIA) PTY LTD. ALL RIGHTS RESERVED.

DESIGNED BY	JASON CHU	DATE FILED	
DESIGNED BY	JASON CHU	CONFIG	CG6640A-86
APPROVED BY	GVP CHANG	MODEL NAME	CG6640A
DATE	JUL/30/2012	DATE	JUL/30/2012
REV.	01	PART NO.	CCG866640000C
		PAGE 1 OF 2	