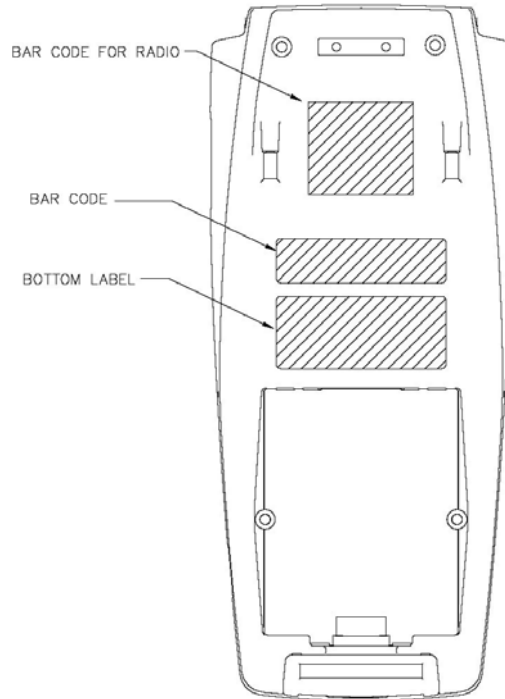


### 8.3 Attaching the Labels:

Stick the Barcode Label on the back of the Terminal in its proper location.

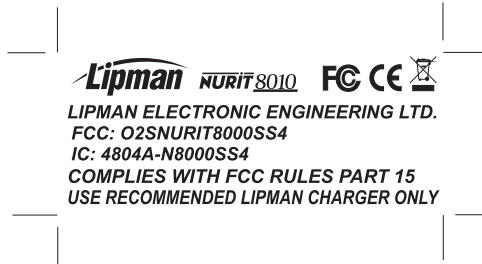
If there are additional labels specified on the Product Chart, they are to be attached to the base of the Terminal as shown below.



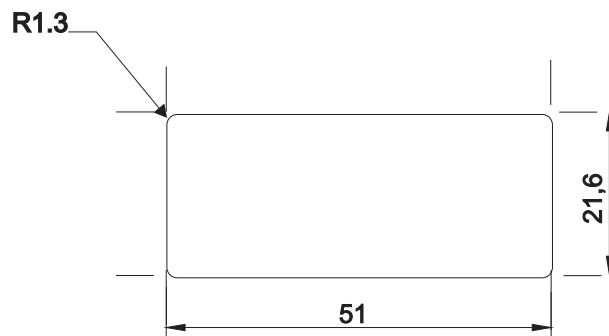
REVISIONS

ECN NO.	I.R	ZONE	LTR	DESCRIPTION	DATE	APPROVED
	X					

GRAPHICS



CUTTING DIMENSIONS



LIPMAN PART No: LBP095115-A

MATERIAL	POLYCARBONATE, MATTE, 0.25mm THICK
ADHESIVE	ON REVERSE SIDE OF LABEL
TEXT COLOR	BLACK
BACKGROUND COLOR	PANTONE 430C

△ PLEASE SUPPLY COPIES OF THIS LABEL ON INDIVIDUAL 28cm LONG STRIPS (THE NUMBER OF LABELS PER STRIP VARIES ACCORDING TO THE SPECIFIC LABEL SIDE)

CONTRACT NO.	SIGNATURE	DATE	LIPMAN ELECTRONIC ENGINEERING LTD. <b>TITLE</b> BOTTOM LABEL - NURIT 8010 (WITH RADIO TC-63)			
DRAWN	L.PRONMAN	09.03.06				
CHECK	S.LEPEL	09.03.06				
DESIGN	A.GLEMB	09.03.06				
DESIGN ACTIVITY			SIZE	FILE:	DWG NO.	REV.
			A	0958221A	0958221A	A1
			SCALE	RELEASE DATE	SHEET	
				09.03.06	1 OF 1	