

Technica House MFI-5GXM/ MILLENNIU-I Ver1.0 Schematics

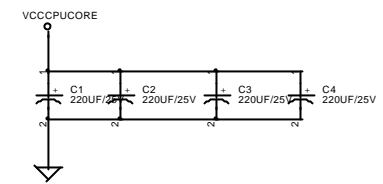
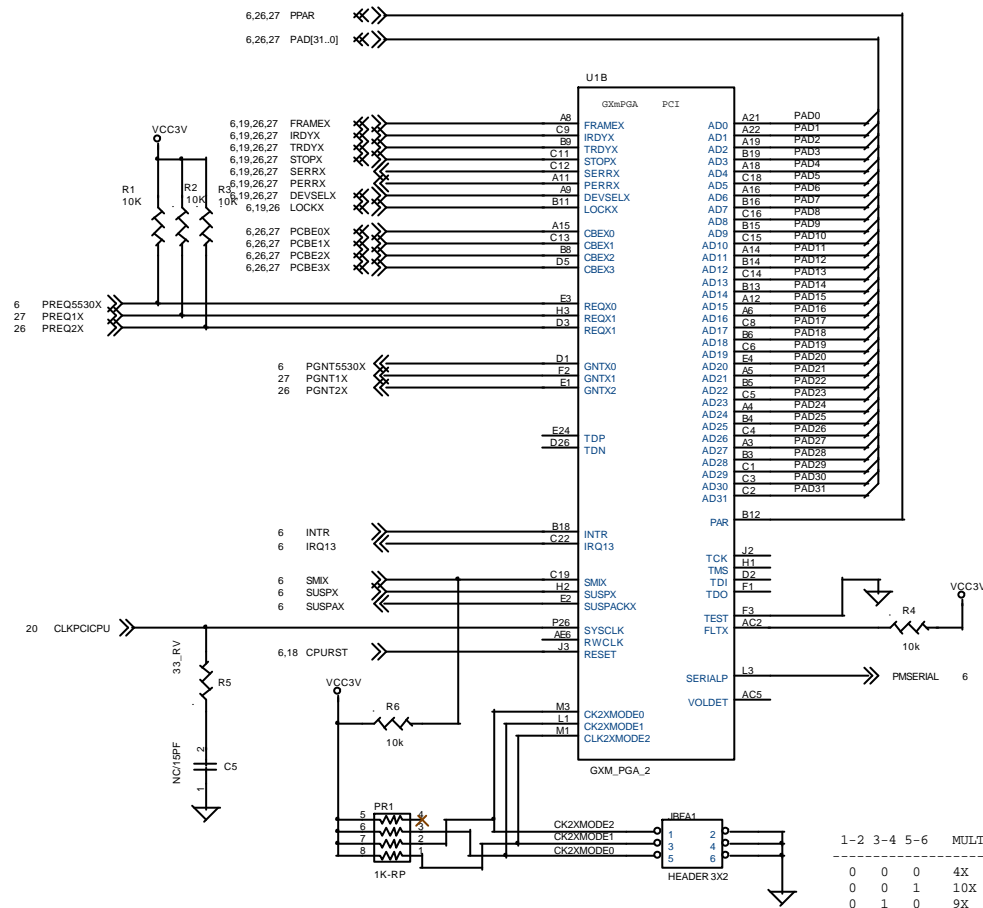
TITLE	SHEET
COVER SHEET	1
CYRIX GXM/G1	2,3,4,5
CYRIX CT5530	6,7,8
W83977F SUPER I/O	9
ON BOARD SDRAM	10
DIMM1	11
IDE CONNECTOR 0	12
COM1,2	13
KB/MS CONNECTOR	14
AUDIO CODEC	15
AUDIO PORT	16
VGA CONNECTOR	17
SYSTEM BIOS & DOC	18
PULL UP/DOWN RC	19
COLCK	20
TEMP. SONSER	21
BYPASS CAPACITORS	22
USB CONNECTOR 0,1	23
PARALLEL PORT	24
COM3,4	25
EXT. SLOT	26
LAN	27
POWER	28
RESET	29



TECHNICA HOUSE INCORPORATION **TECHNICA CONFIDENTIAL**

4F.No.9, Lane 235, Pao Chiao RD.,
Hsin Tien City, Taipei Taiwan

Title BLOCK DIAGRAM		
Size A	Document Number MFPM133	Rev 0.9
Date: Monday, June 17, 2002		Sheet 1 29 of



1-2	3-4	5-6	MULT
0	0	0	4X
0	0	1	10X
0	1	0	9X
0	1	1	5X
1	0	0	R
1	0	1	6X
1	1	0	7X
1	1	1	8X

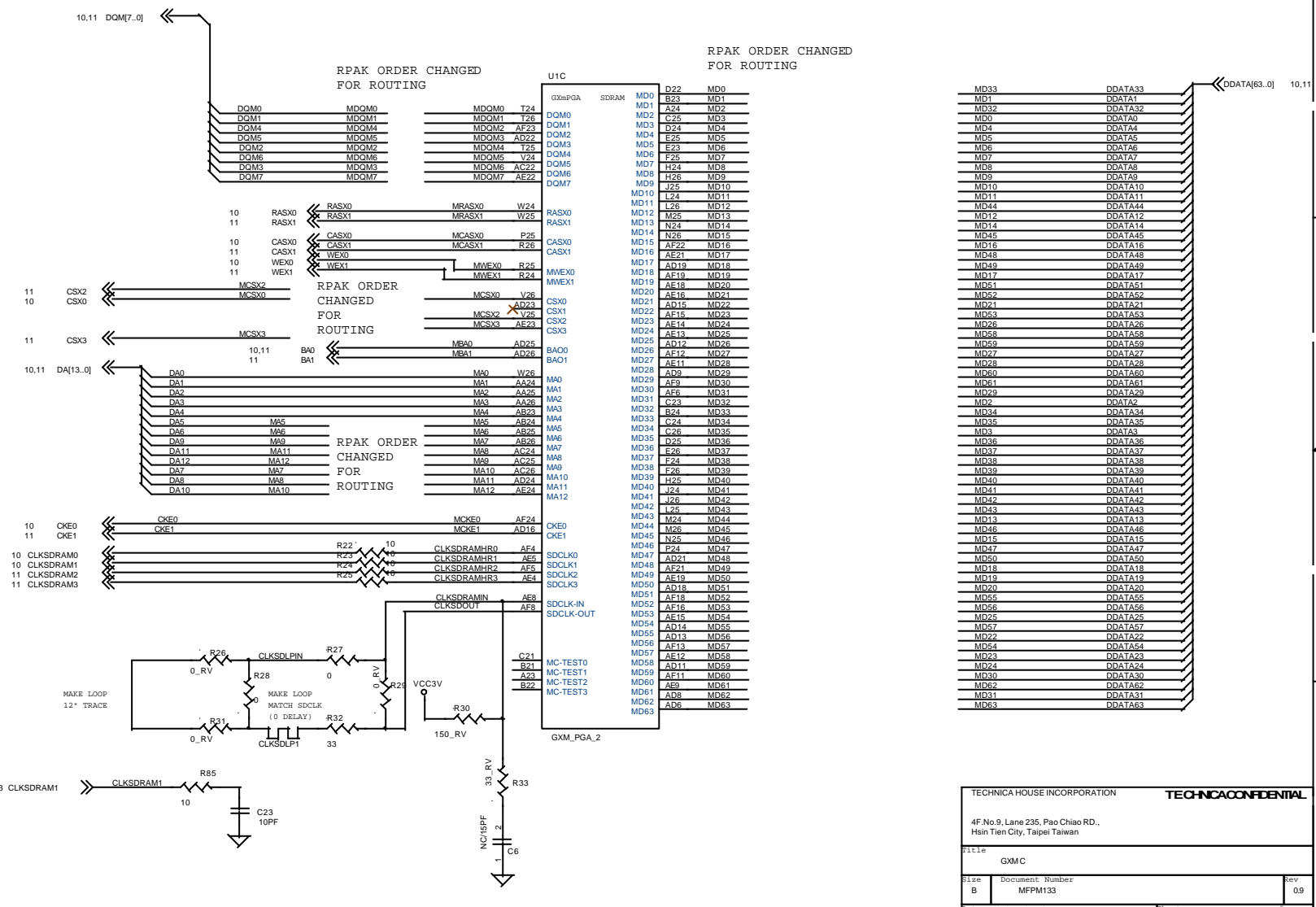
TECHNICA HOUSE INCORPORATION **TECHNICA CONFIDENTIAL**

4F.No.9, Lane 235, Pao Chiao RD.,
Hsin Tien City, Taipei Taiwan

Title: GXM B

Size: B	Document Number: MFPM133	Rev: 0.9
---------	--------------------------	----------

Date: Wednesday, June 28, 2000 Sheet: 2 of 29



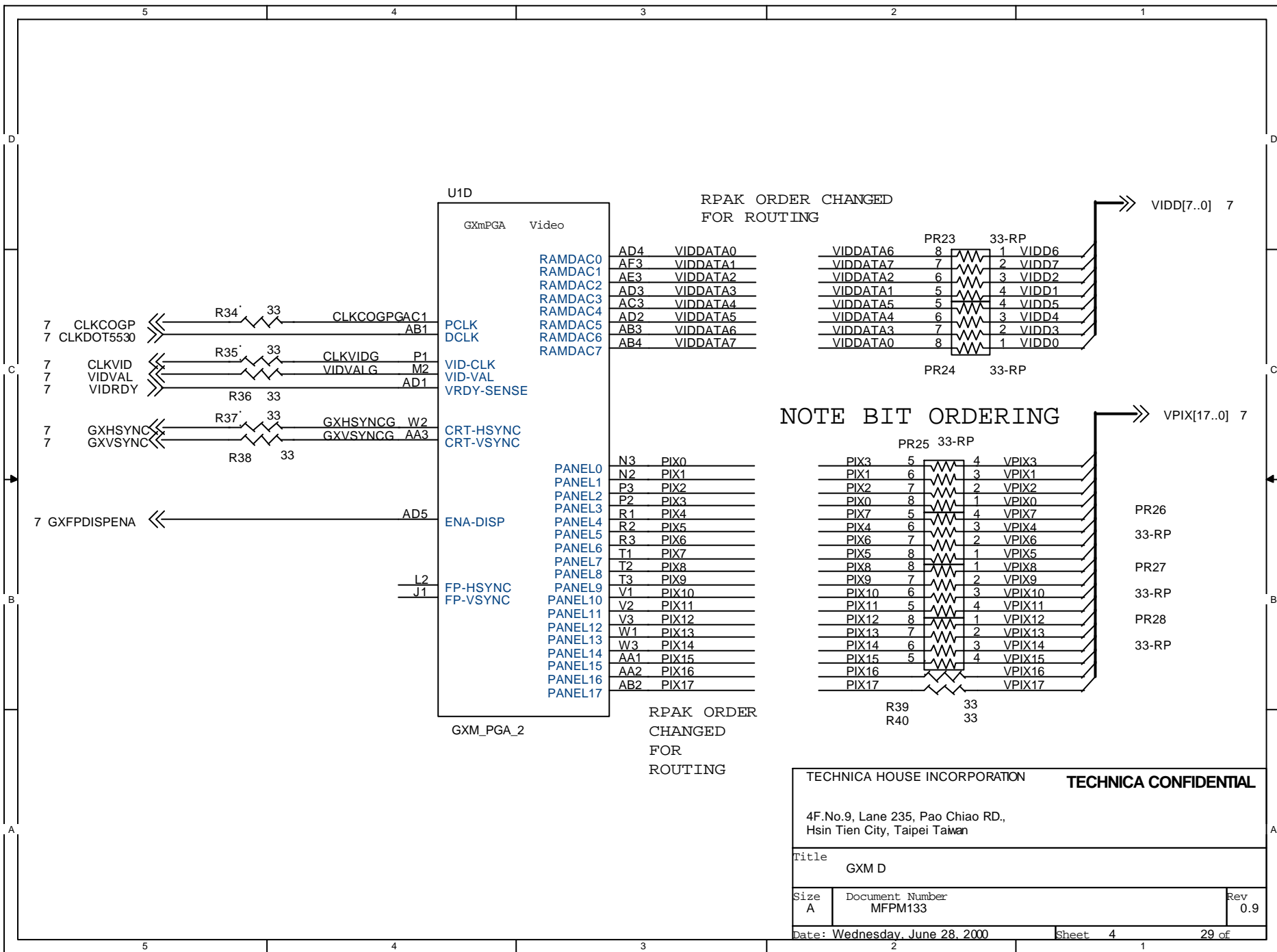
TECHNICA HOUSE INCORPORATION **TECHNICA CONFIDENTIAL**

4F.No.9, Lane 235, Pao Chiao RD.,
Hsin Tien City, Taipei Taiwan

Title: GXM C

Size: B Document Number: MFPM133 Rev: 0.9

Date: Wednesday, June 28, 2000 Sheet: 3 of 29



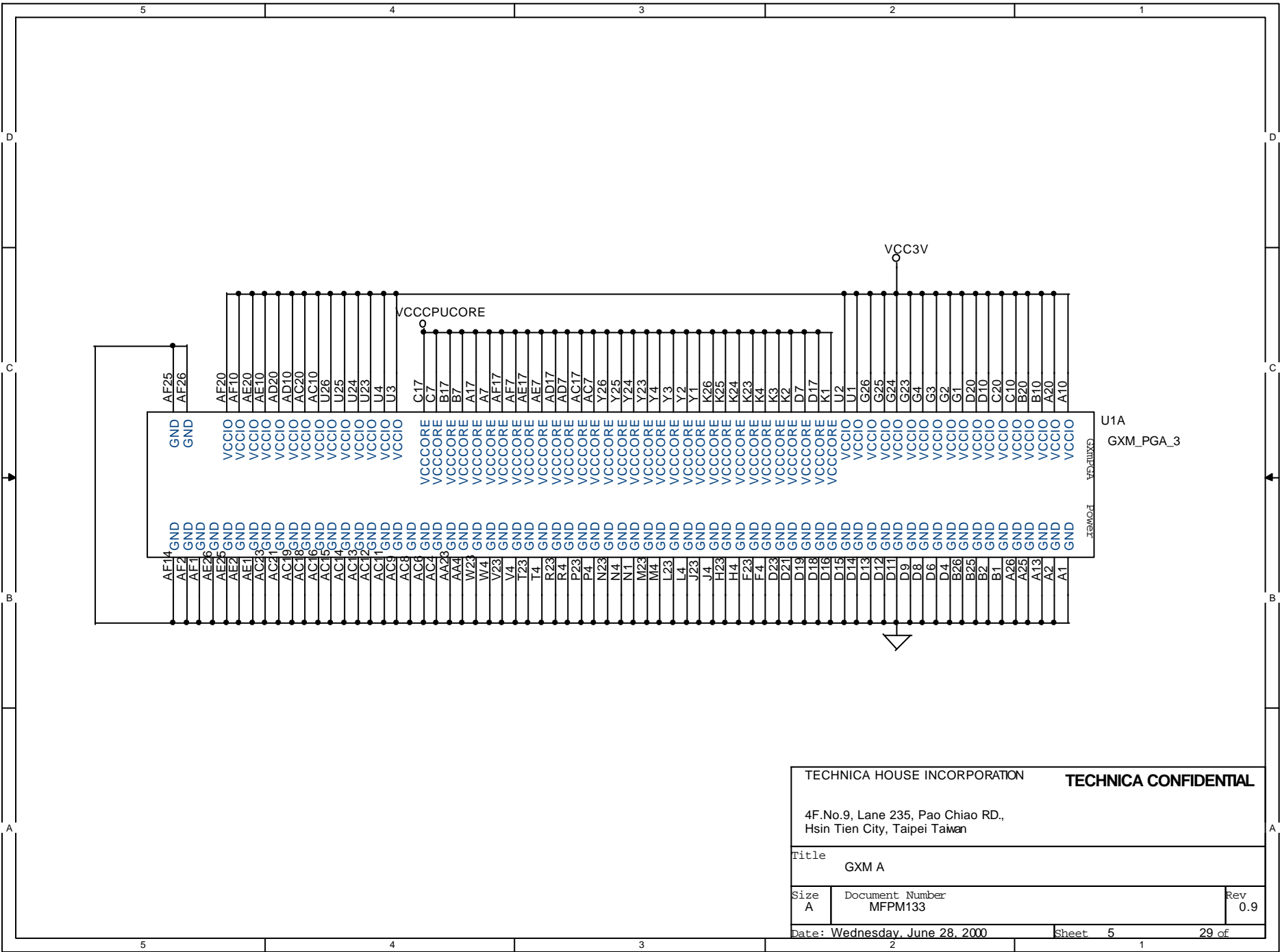
TECHNICA HOUSE INCORPORATION **TECHNICA CONFIDENTIAL**

4F.No.9, Lane 235, Pao Chiao RD.,
Hsin Tien City, Taipei Taiwan

Title: GXM D

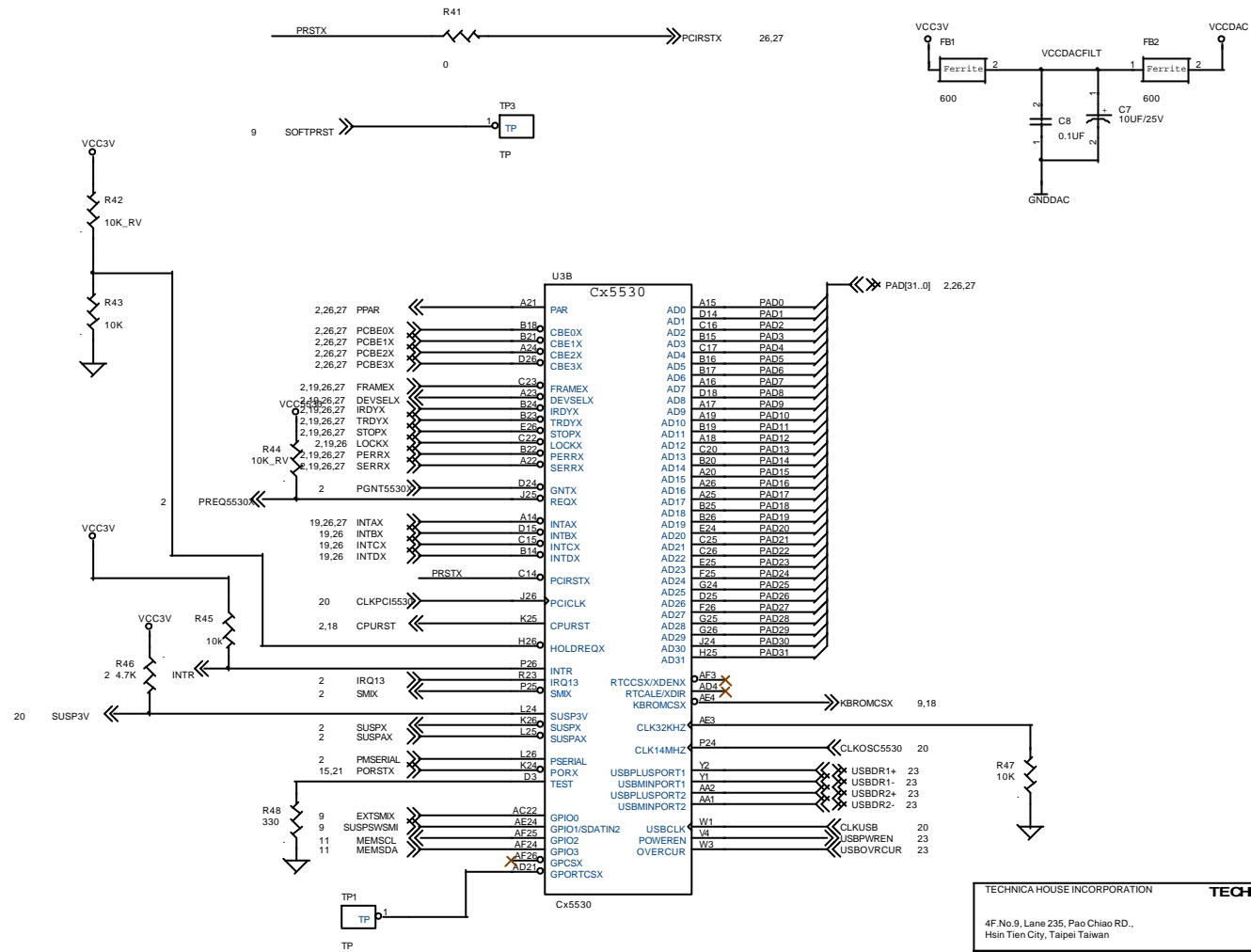
Size: A	Document Number: MFPM133	Rev: 0.9
---------	--------------------------	----------

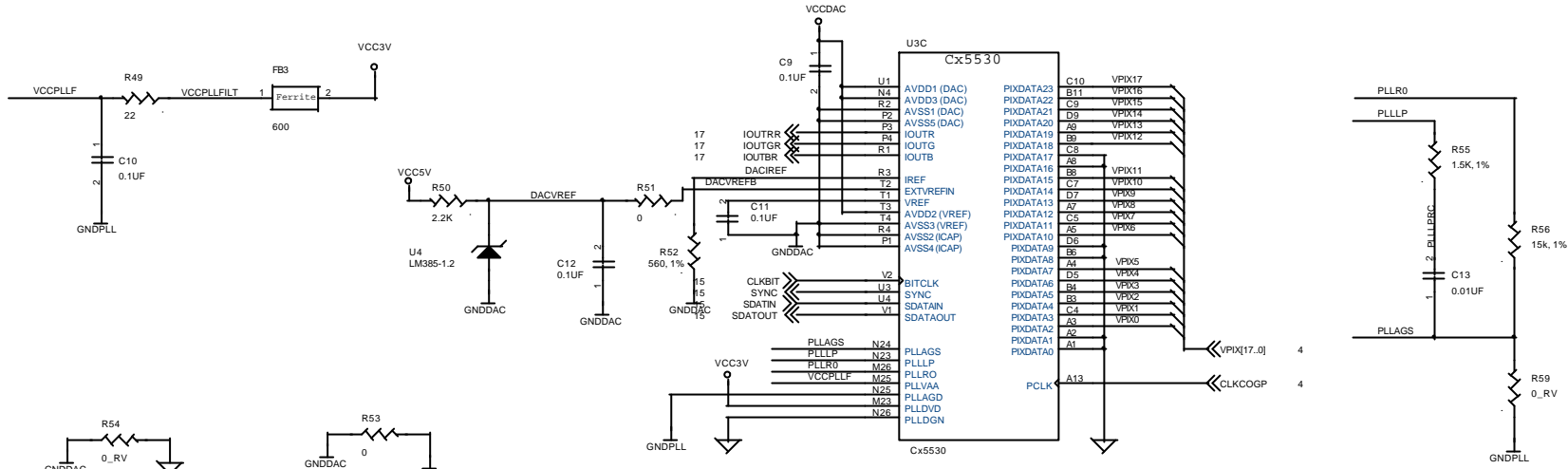
Date: Wednesday, June 28, 2000 Sheet: 4 29 of



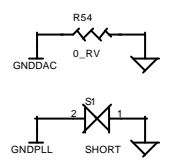
TECHNICA HOUSE INCORPORATION		TECHNICA CONFIDENTIAL
4F.No.9, Lane 235, Pao Chiao RD., Hsin Tien City, Taipei Taiwan		
Title GXM A		
Size A	Document Number MFPM133	Rev 0.9
Date: Wednesday, June 28, 2000		Sheet 5 29 of

Cx5530 PCI DEVICE ID STRAP	
HOLDREQX	FUNCTION
1	IDSEL = AD[27:26]
0	IDSEL = AD[29:28]

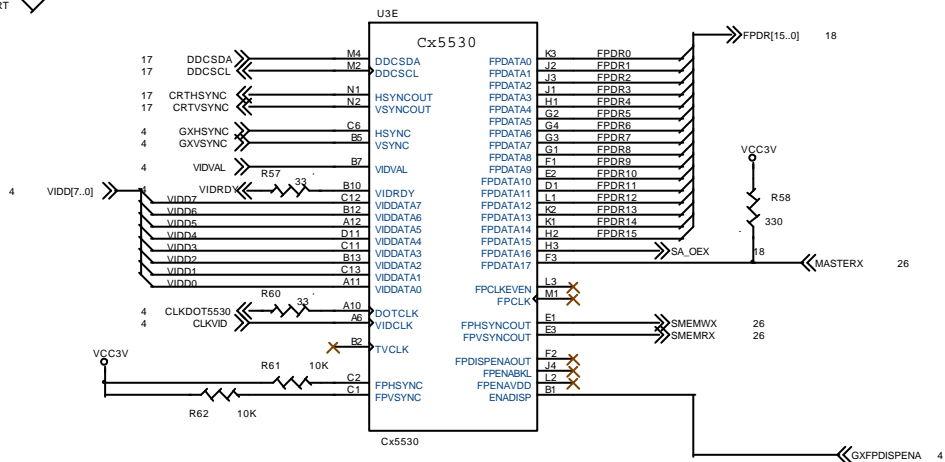




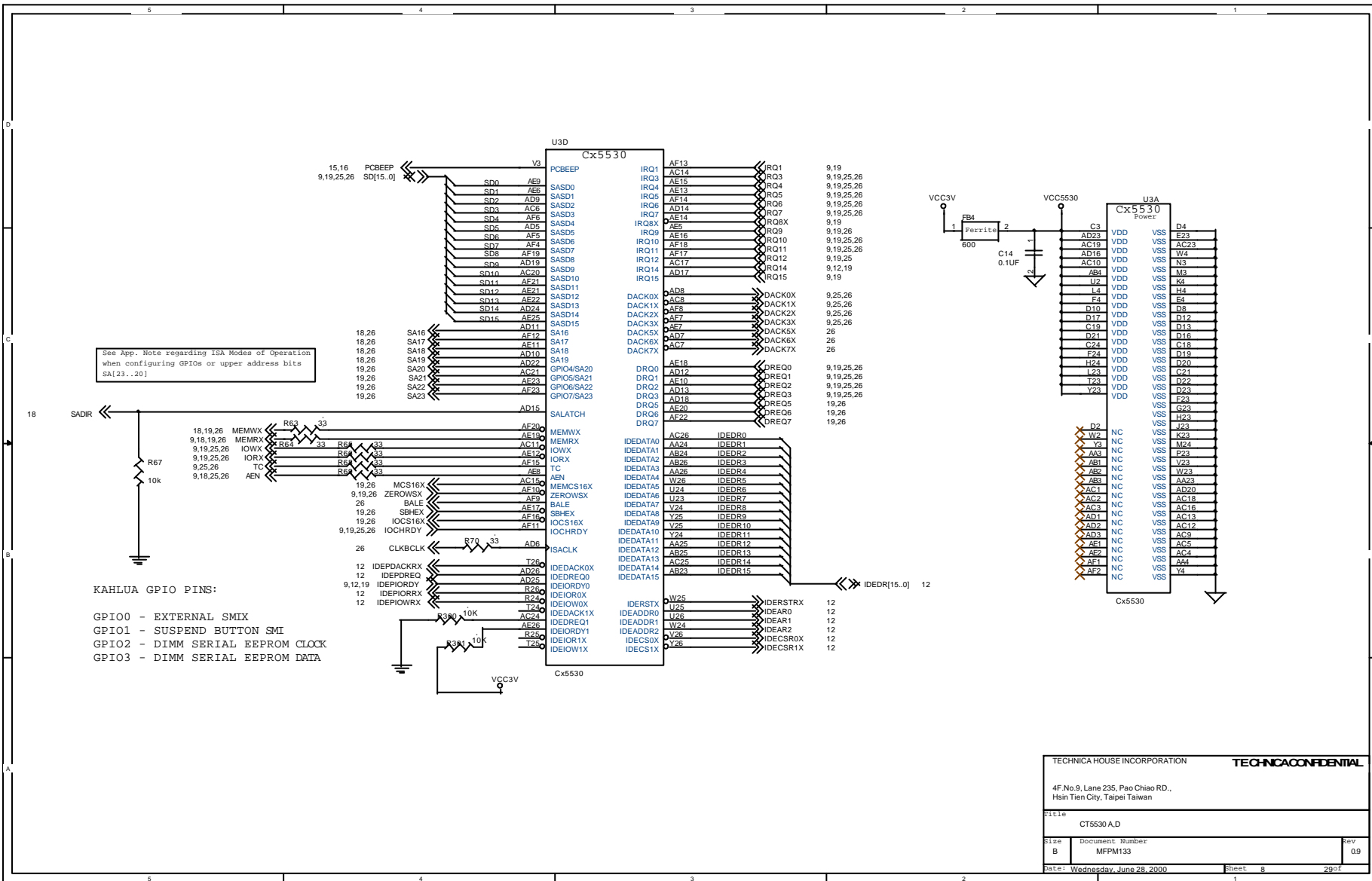
Cx5530 PLL LOOP FILTER

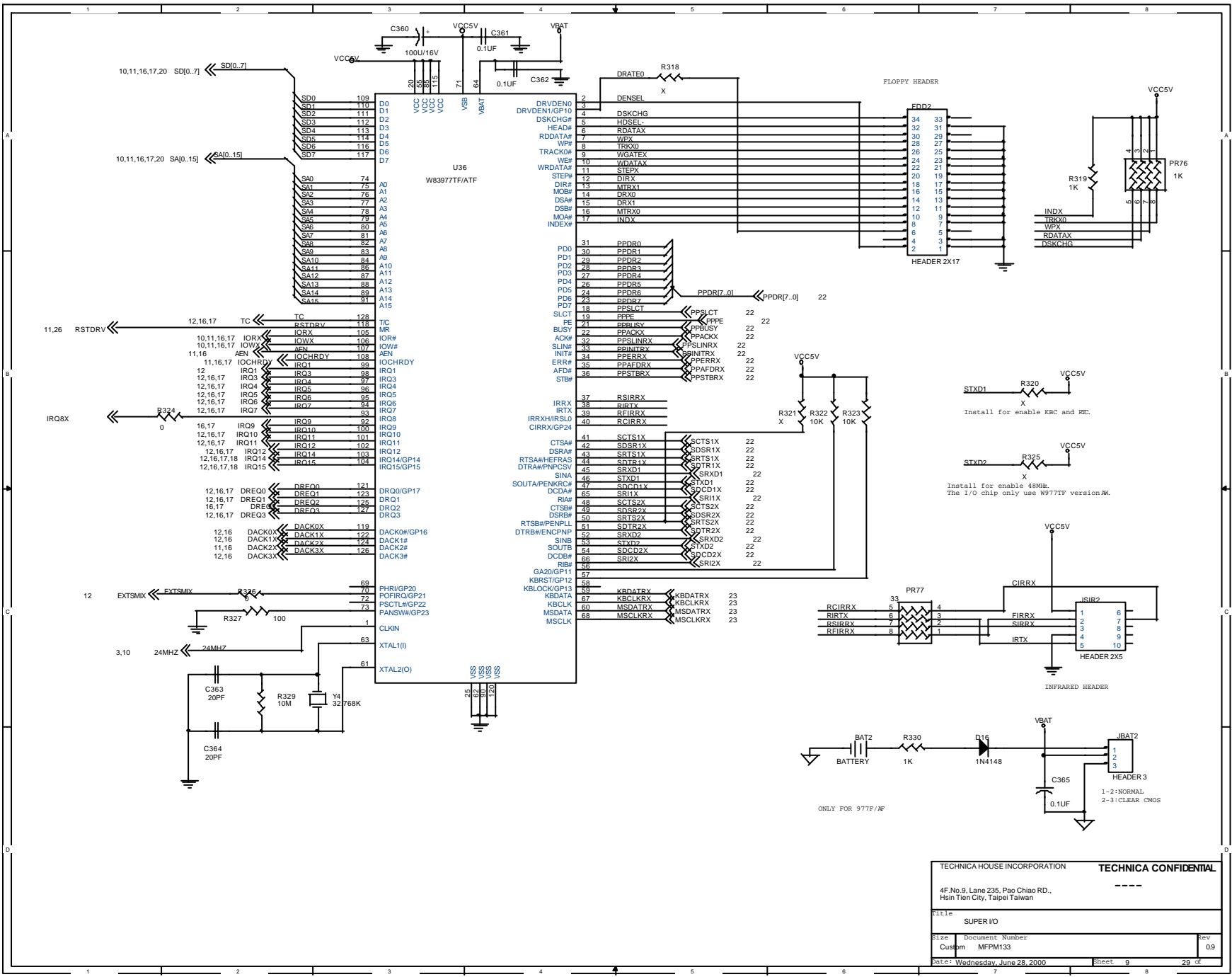


SINGLE-POINT GROUND CONNECTIONS



TECHNICA HOUSE INCORPORATION		TECHNICA CONFIDENTIAL	
4F.No.9, Lane 235, Pao Chiao RD., Hsin Tien City, Taipei Taiwan			
Title		CT5530 C,E	
Size	Document Number	Rev	
B	MFFM133	0.9	
Date: Wednesday, June 28, 2000		Sheet	7 of 29





TECHNICA HOUSE INCORPORATION TECHNICA CONFIDENTIAL

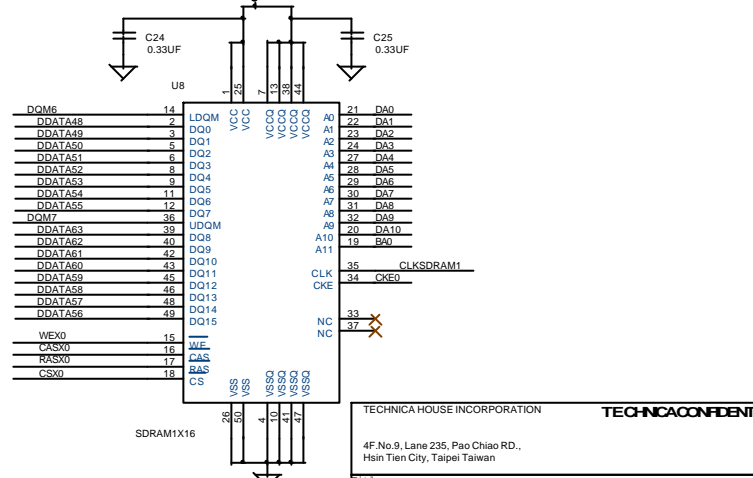
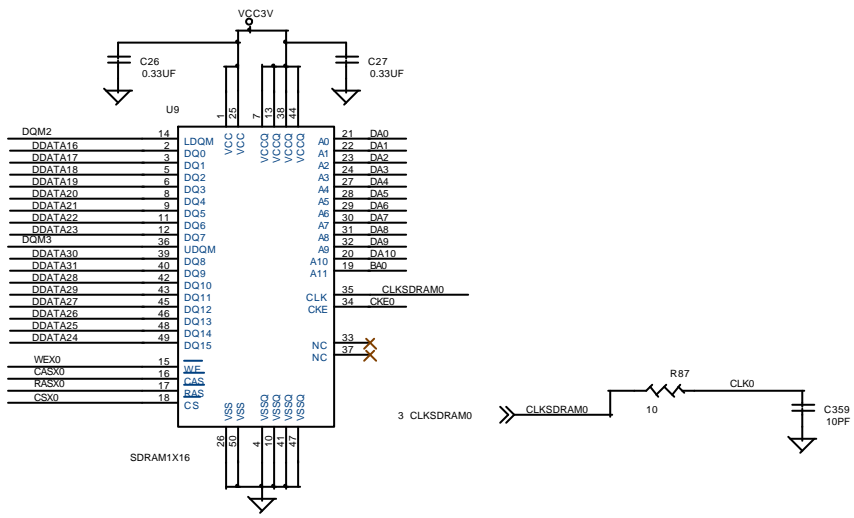
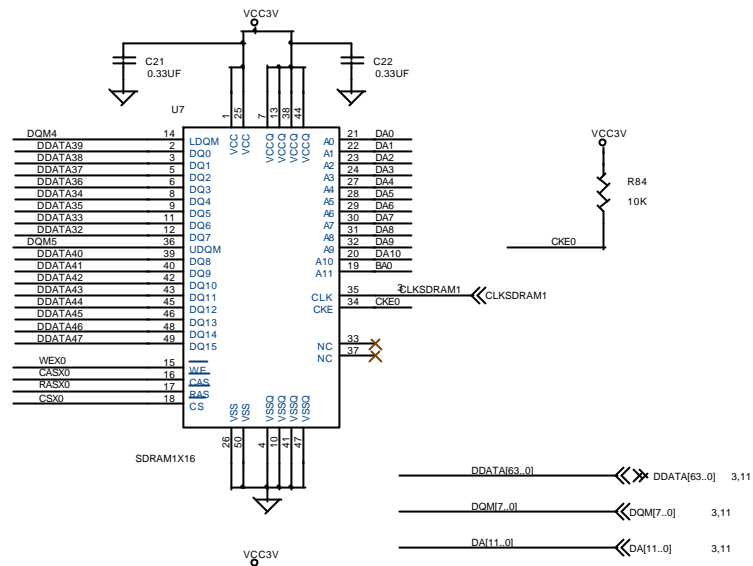
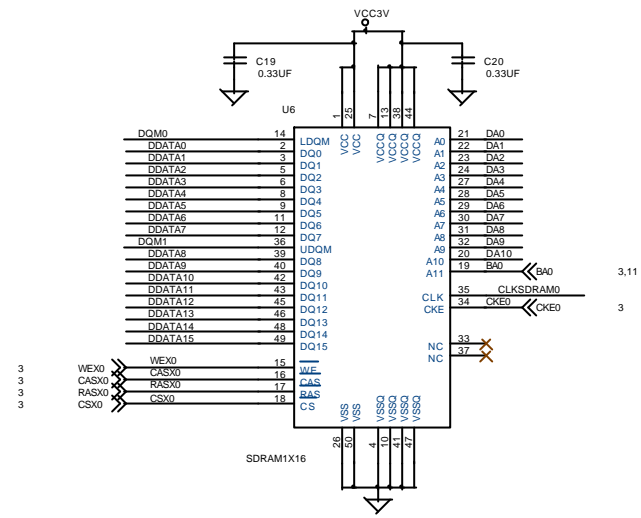
4F, No. 9, Lane 235, Pao Chiao RD.,
Hsin Tien City, Taipei Taiwan

Title: SUPER I/O

Size: Document Number

Custom: MFM133

Date: Wednesday, June 28, 2000 Sheet: 9 29 of 29



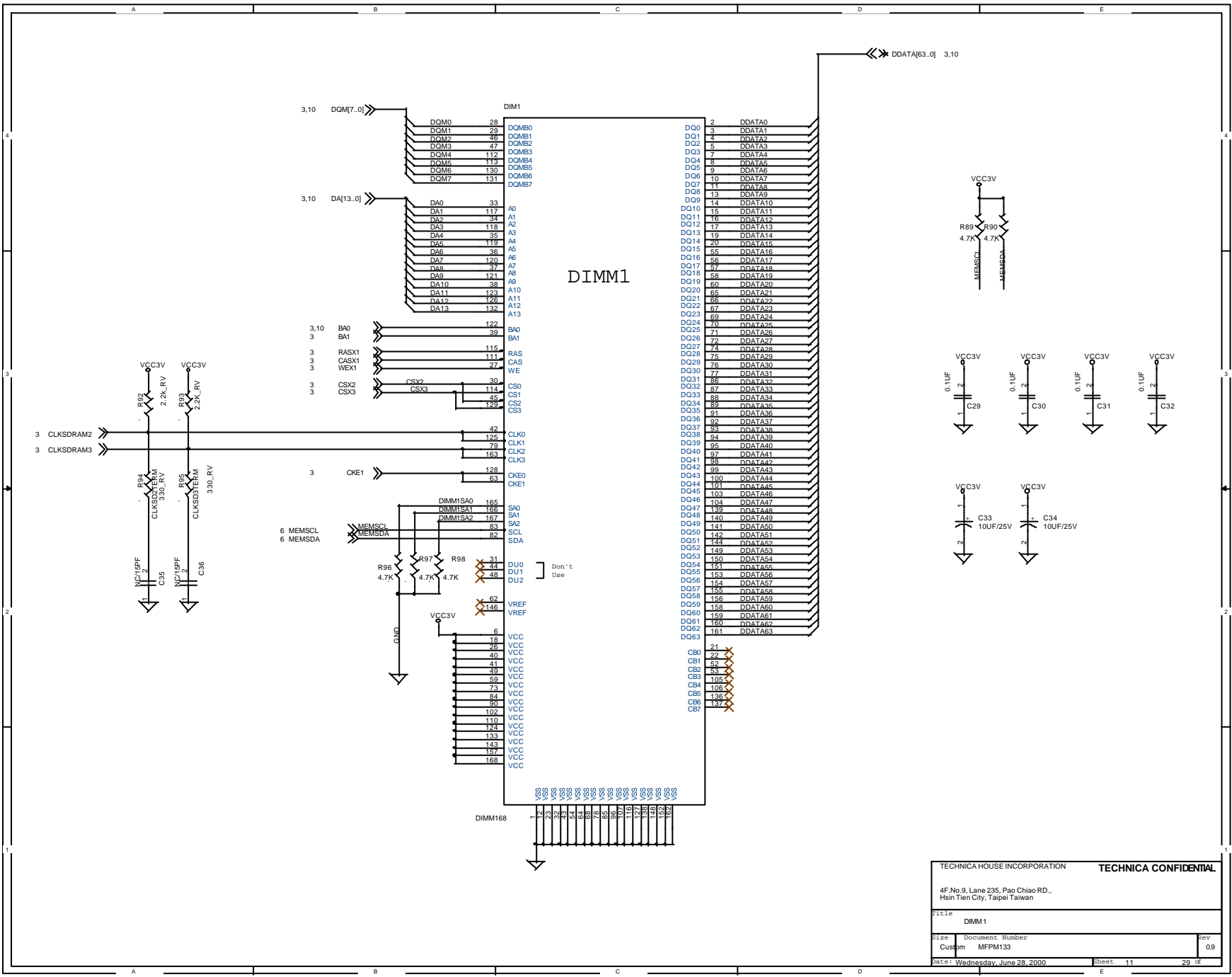
TECHNICA HOUSE INCORPORATION **TECHNICA CONFIDENTIAL**

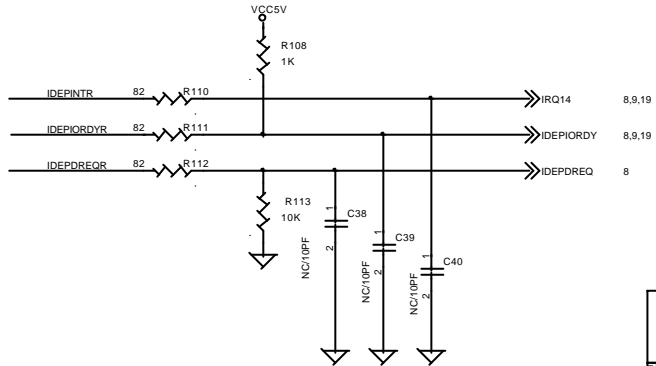
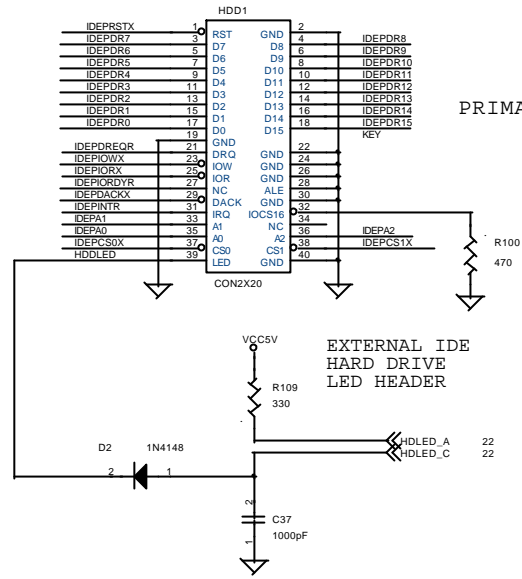
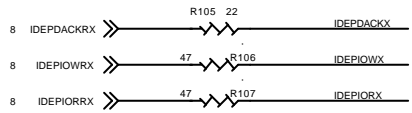
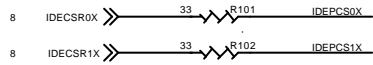
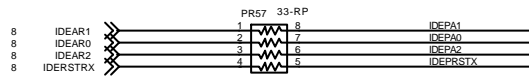
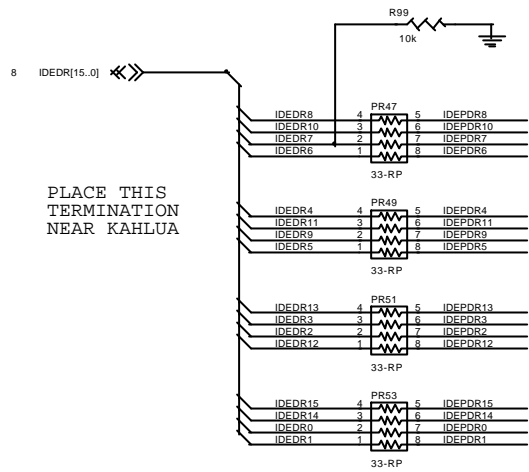
4F.No.9, Lane 235, Pao Chiao RD.,
Hsin Tien City, Taipei Taiwan

Title: ON BOARD SDRAM 1X16M

Size: B	Document Number: MFPM133	Rev: 0.9
---------	--------------------------	----------

Date: Wednesday, June 28, 2000 Sheet: 10 of 29





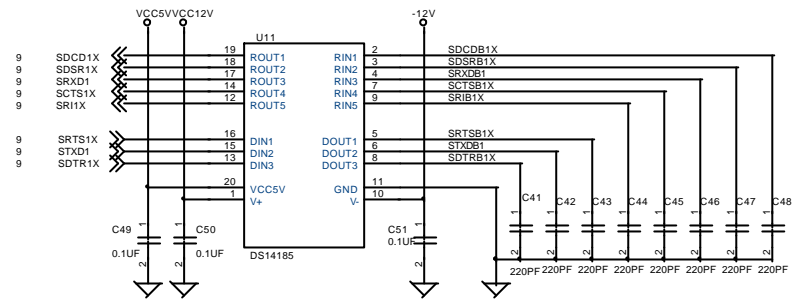
TECHNICA HOUSE INCORPORATION **TECHNICA CONFIDENTIAL**

4F.No.9, Lane 235, Pao Chiao RD.,
Hsin Tien City, Taipei Taiwan

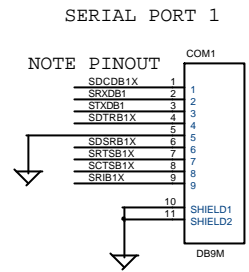
Title IDE 1

Size B	Document Number MFPM133	Rev 0.9
--------	-------------------------	---------

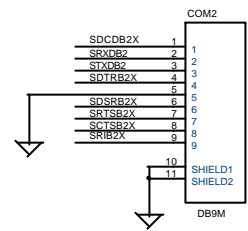
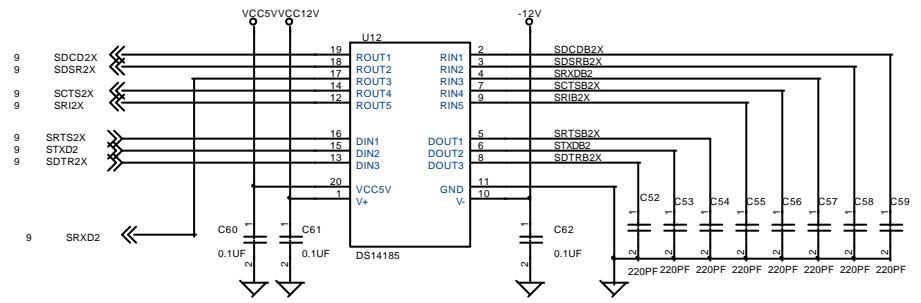
Date: Wednesday, June 28, 2000 Sheet 12 of 29



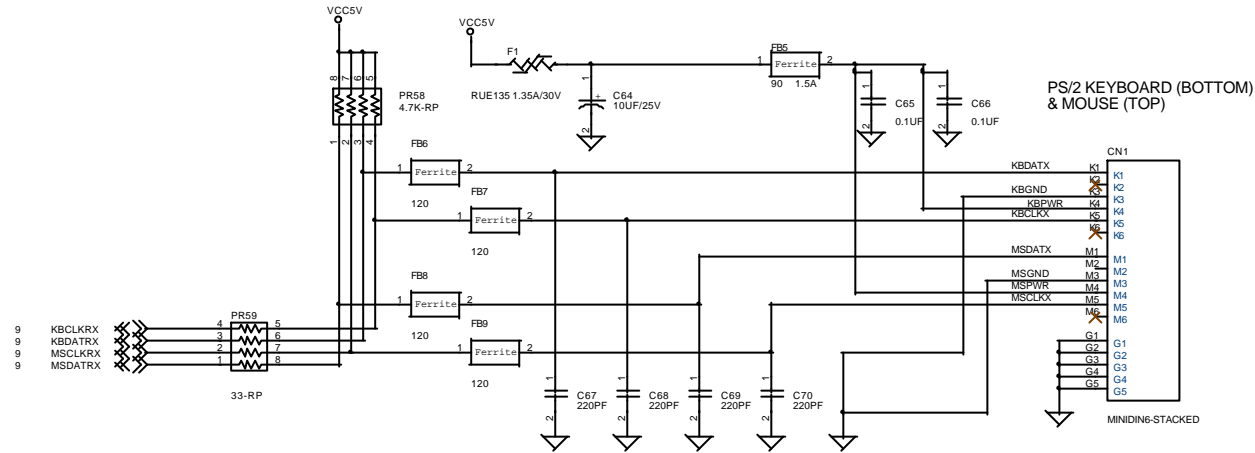
RS-232 Tranceivers



SERIAL PORT 1
DSUB CONNECTOR

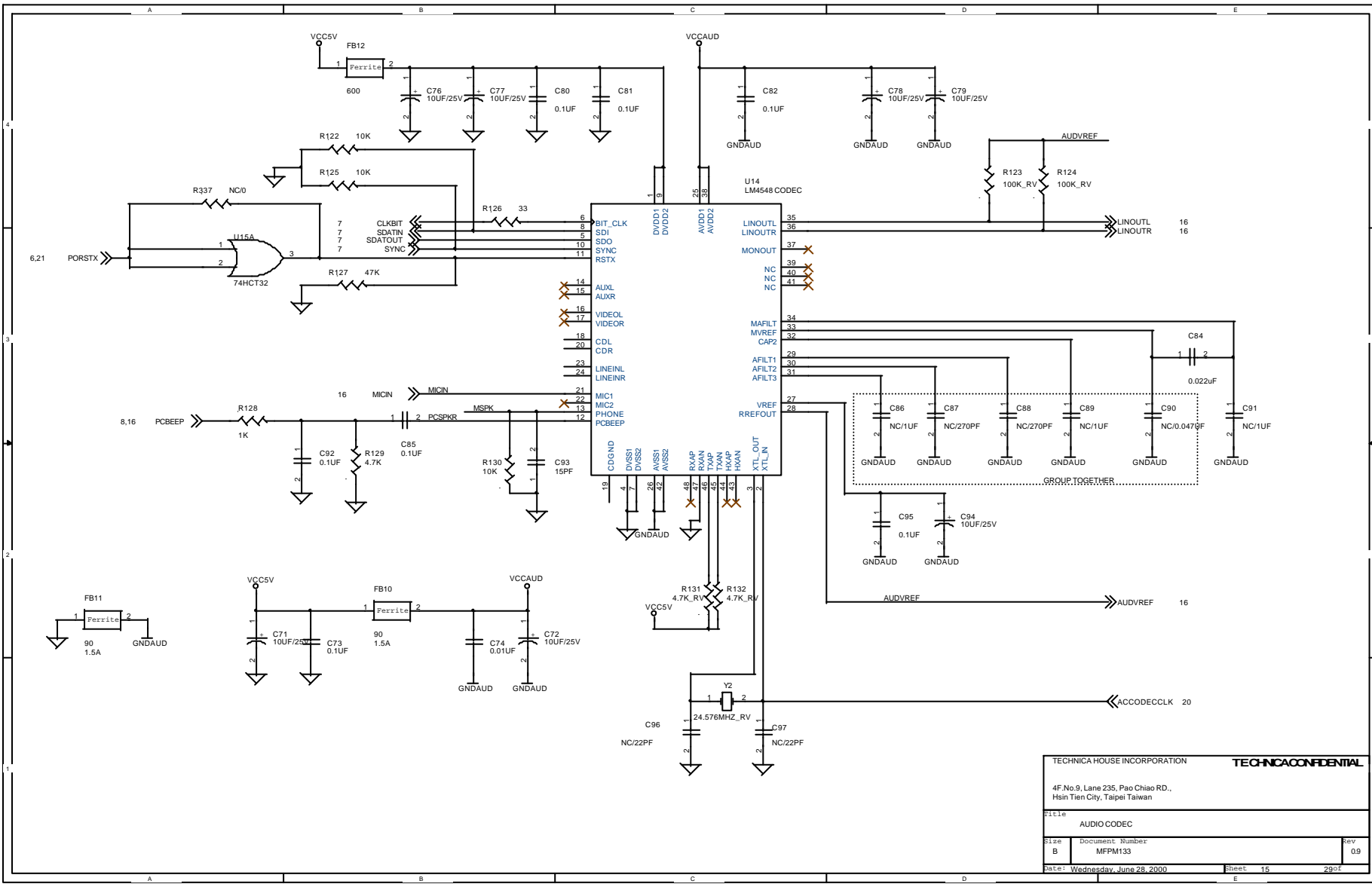


SERIAL PORT 2



PS/2 KEYBOARD (BOTTOM)
& MOUSE (TOP)

TECHNICA HOUSE INCORPORATION		TECHNICA CONFIDENTIAL	
4F.No.9, Lane 235, Pao Chiao RD., Hsin Tien City, Taipei Taiwan			
Title K/B & MS CONNECTOR			
Size B	Document Number MFPM133	Rev 0.9	
Date: Wednesday, June 28, 2000		Sheet 14	29 of



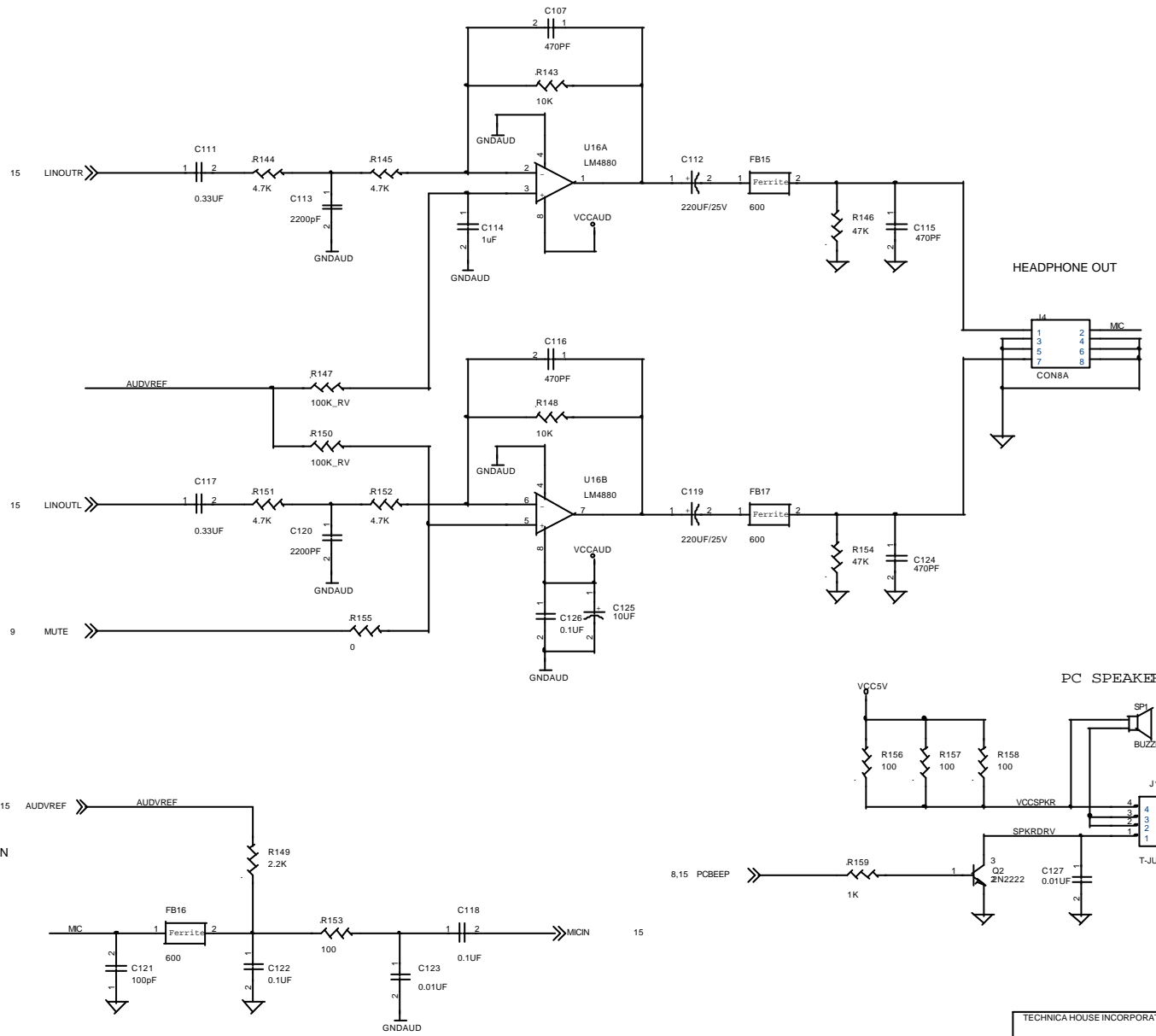
TECHNICA HOUSE INCORPORATION **TECHNICA CONFIDENTIAL**

4F.No.9, Lane 235, Pao Chiao RD.,
Hsin Tien City, Taipei Taiwan

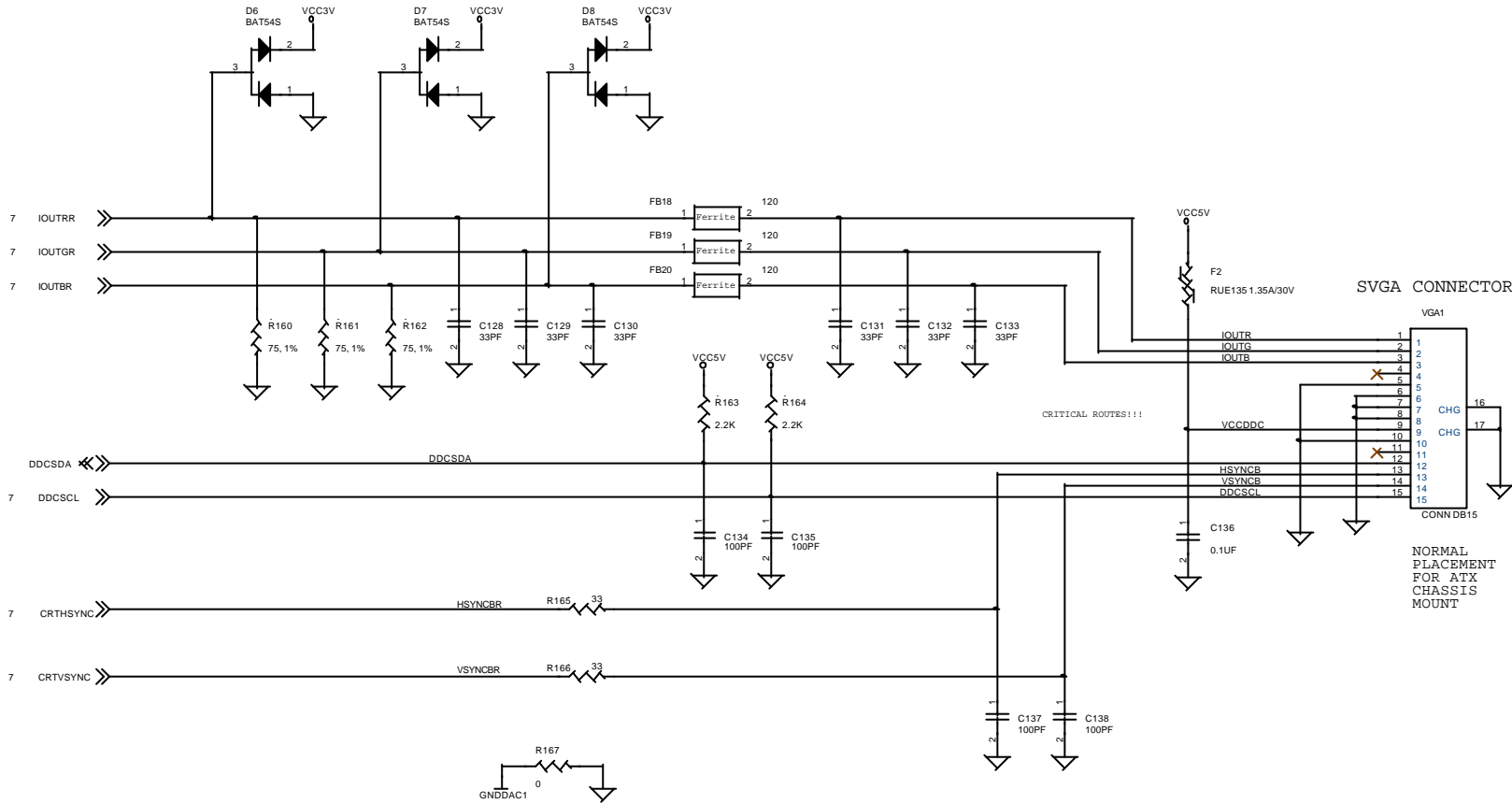
Title: AUDIO CODEC

Size: B	Document Number: MFPM133	Rev: 0.9
---------	--------------------------	----------

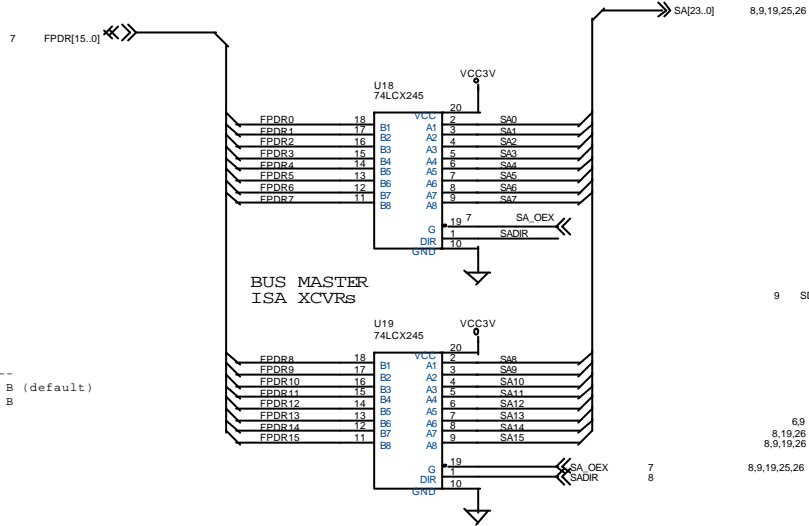
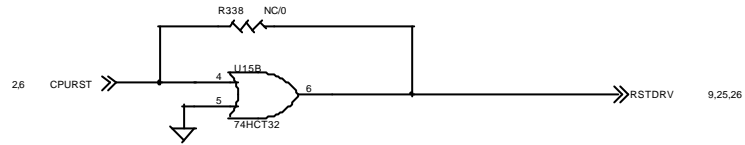
Date: Wednesday, June 28, 2000 Sheet: 15 of 29



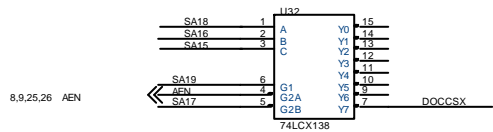
TECHNICA HOUSE INCORPORATION		TECHNICA CONFIDENTIAL	
4F, No. 9, Lane 235, Pao Chiao RD., Hsin Tien City, Taipei Taiwan			
Title: AUDIO CONNECTOR			
Size: Custom	Document Number: MFPM133	Rev: 0.9	
Date: Wednesday, June 28, 2000		Sheet: 16	29 of 29



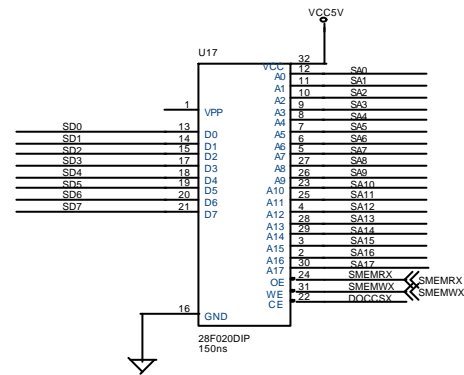
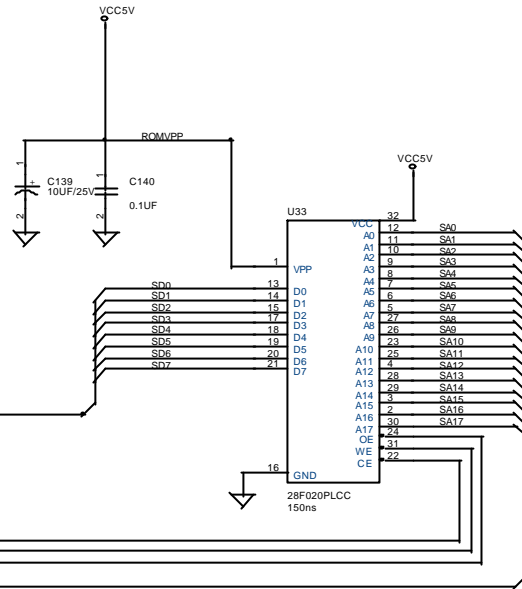
TECHNICA HOUSE INCORPORATION		TECHNICA CONFIDENTIAL	
4F.No.9, Lane 235, Pao Chiao RD., Hsin Tien City, Taipei Taiwan			
Title VGA			
Size B	Document Number MFPM133		Rev 0.9
Date: Wednesday, June 28, 2000		Sheet 17	29 of

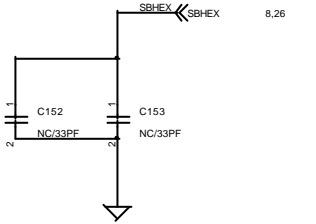
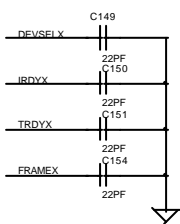
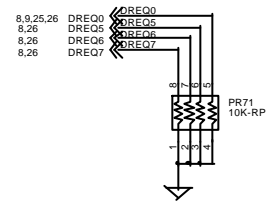
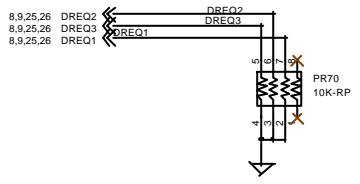
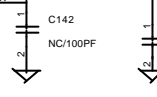
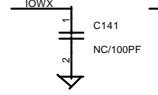
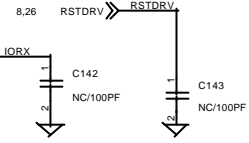
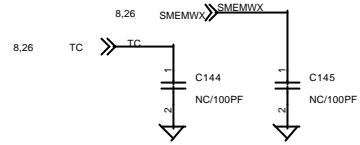
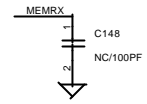
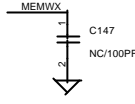
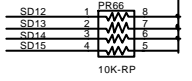
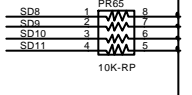
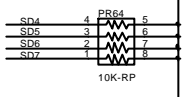
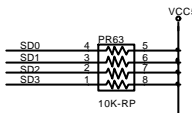
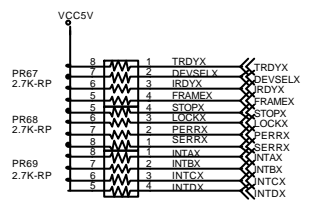
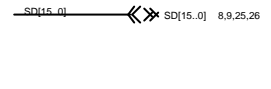
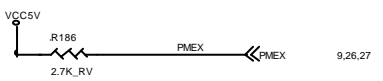
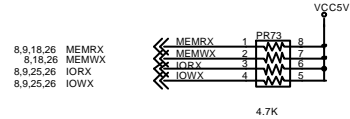
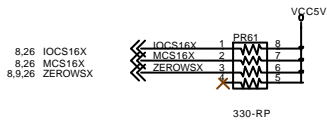
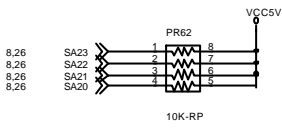
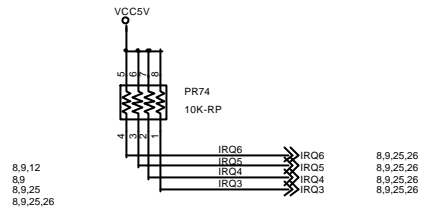
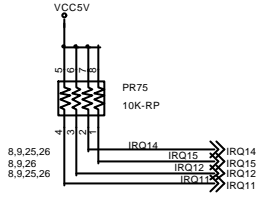
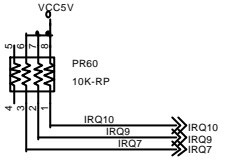
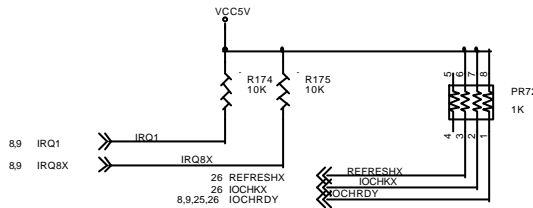


DIR | XFER
 0 | A <- B (default)
 1 | A -> B



6,9 KBROMCSX
 8,19,26 MEMWX
 8,9,19,26 MEMRX
 8,9,19,26 SA[23..0]





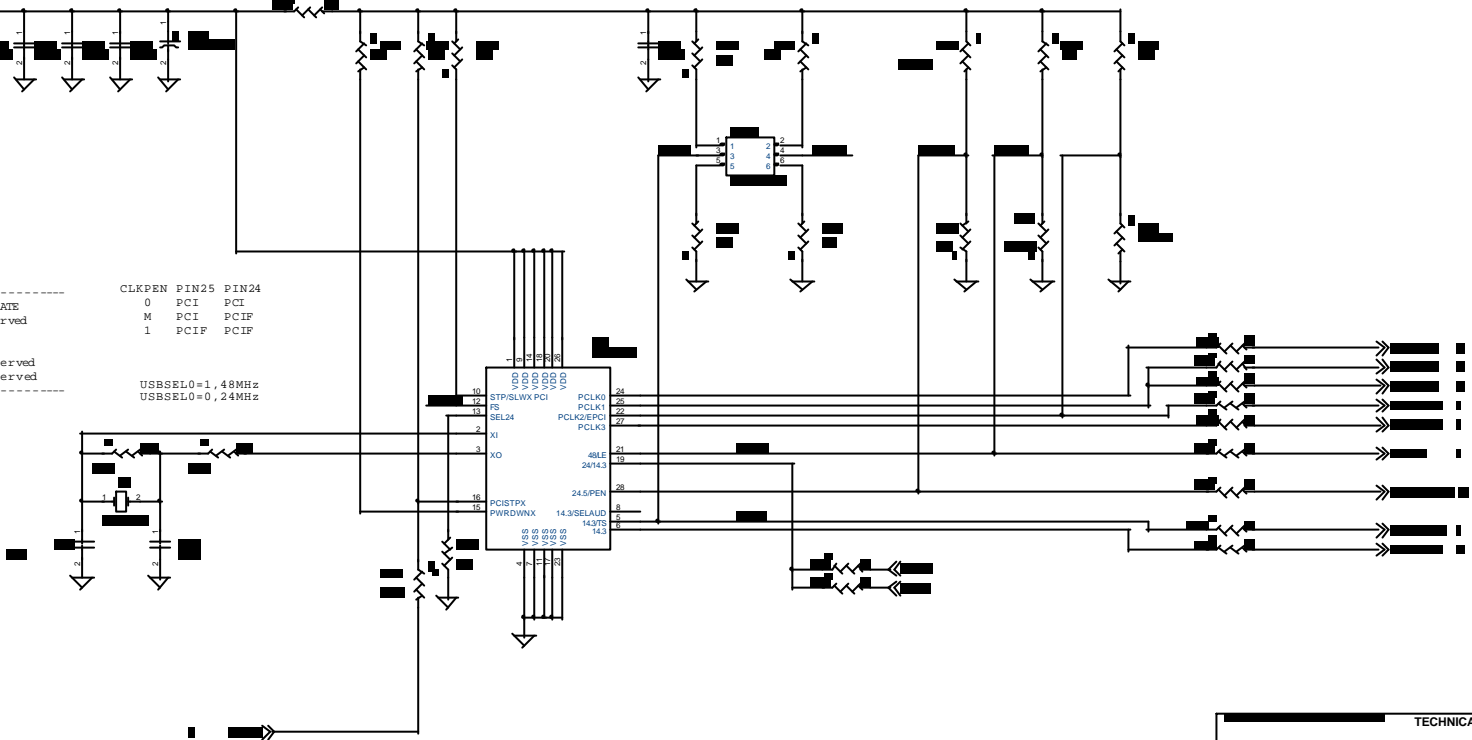
TECHNICA HOUSE INCORPORATION		TECHNICA CONFIDENTIAL	
4F, No. 9, Lane 235, Pao Chiao RD., Hsin Tien City, Taipei Taiwan			
Title	PULL-UP/DOWN RC		Rev
Size	Document Number		0.9
Custom	MFPM133		
Date:	Wednesday, June 28, 2000	Sheet	19 of 29

Place a decoupling cap at each Vcc pin.

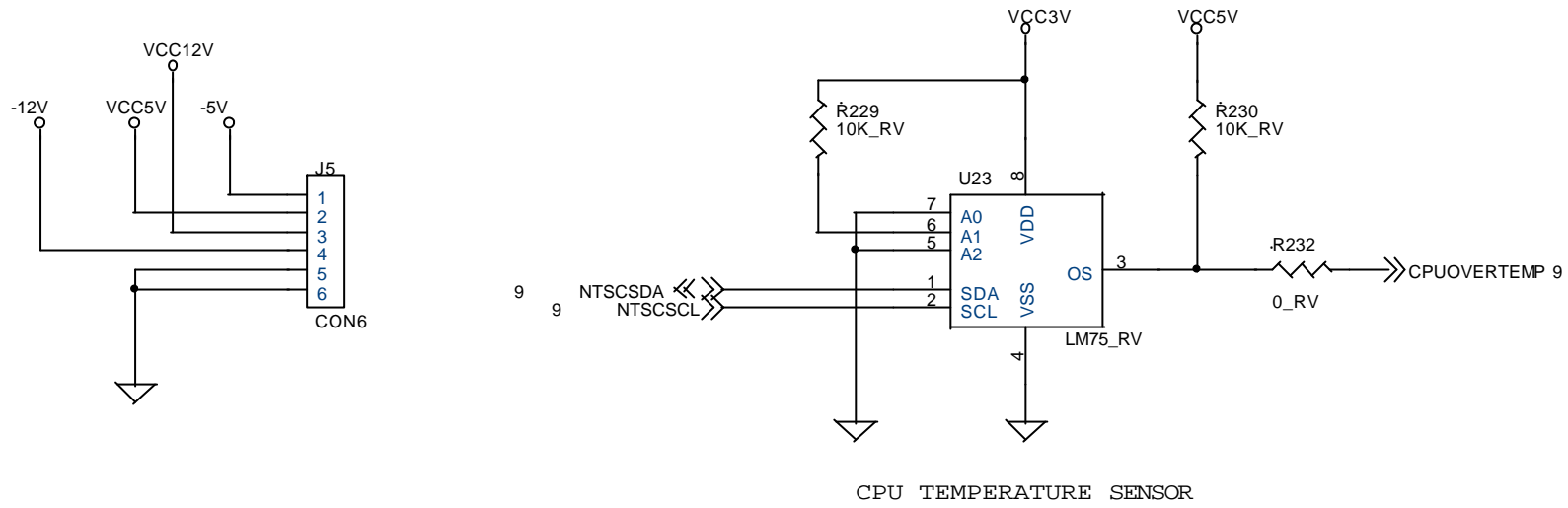
CLKOE	CLKFS0	PCI	CLKPEN	PIN25	PIN24
3-5	4-6	TRISTATE	0	PCI	PCI
3-5	2-4	Reserved	M	PCI	PCIF
M	4-6	30	1	PCIF	PCIF
M	2-4	33			
1-3	4-6	Reserved			
1-3	2-4	Reserved			

M=FLOAT

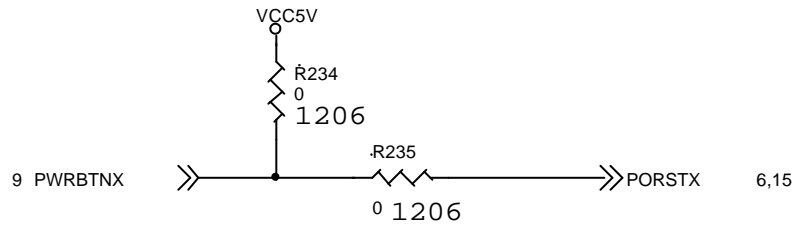
USBSEL0=1, 48MHz
USBSEL0=0, 24MHz



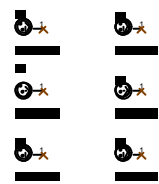
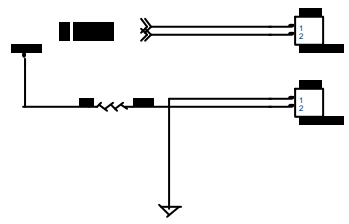
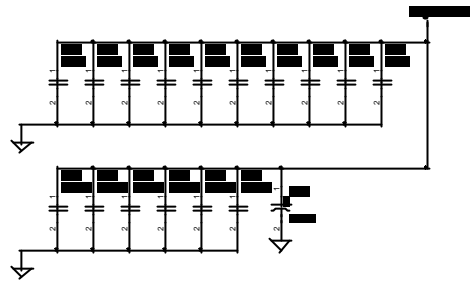
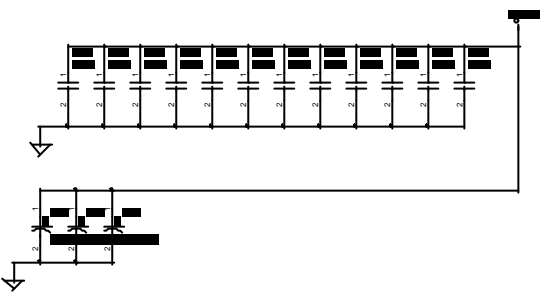
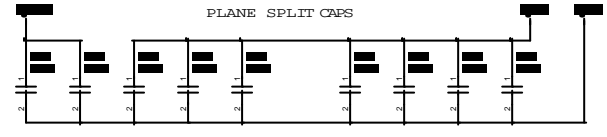
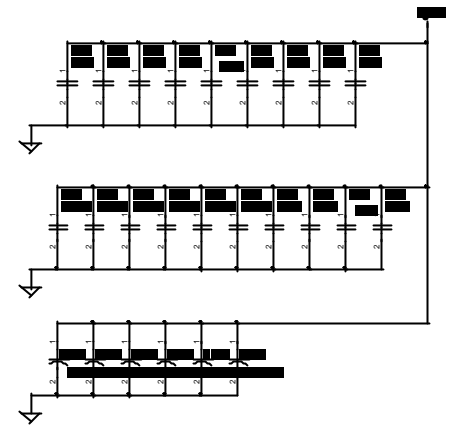
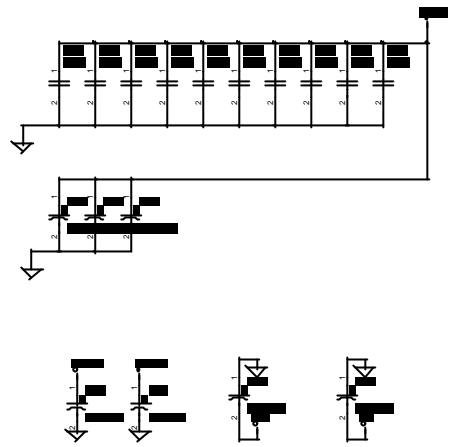
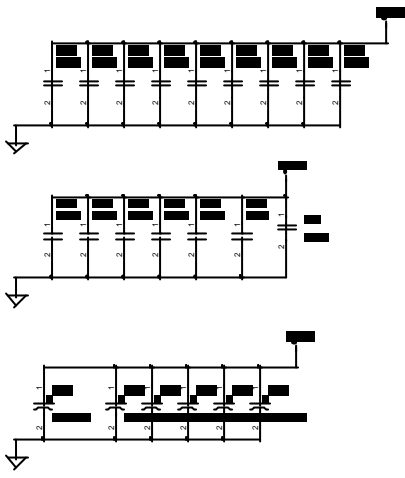
TECHNICAL CONFIDENTIAL



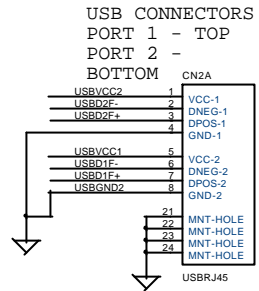
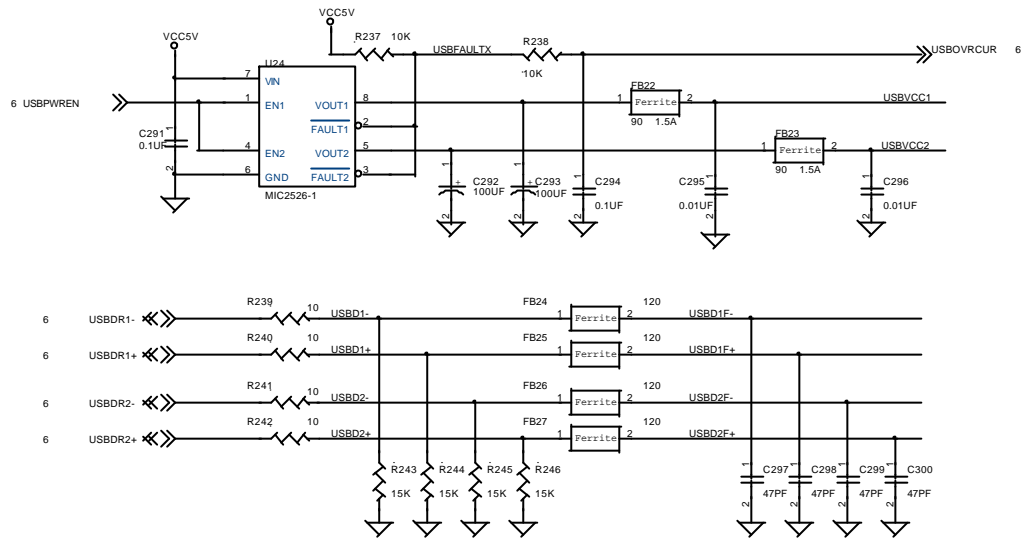
ISOLATE POWER GROUND FROM SIGNAL GROUNDS



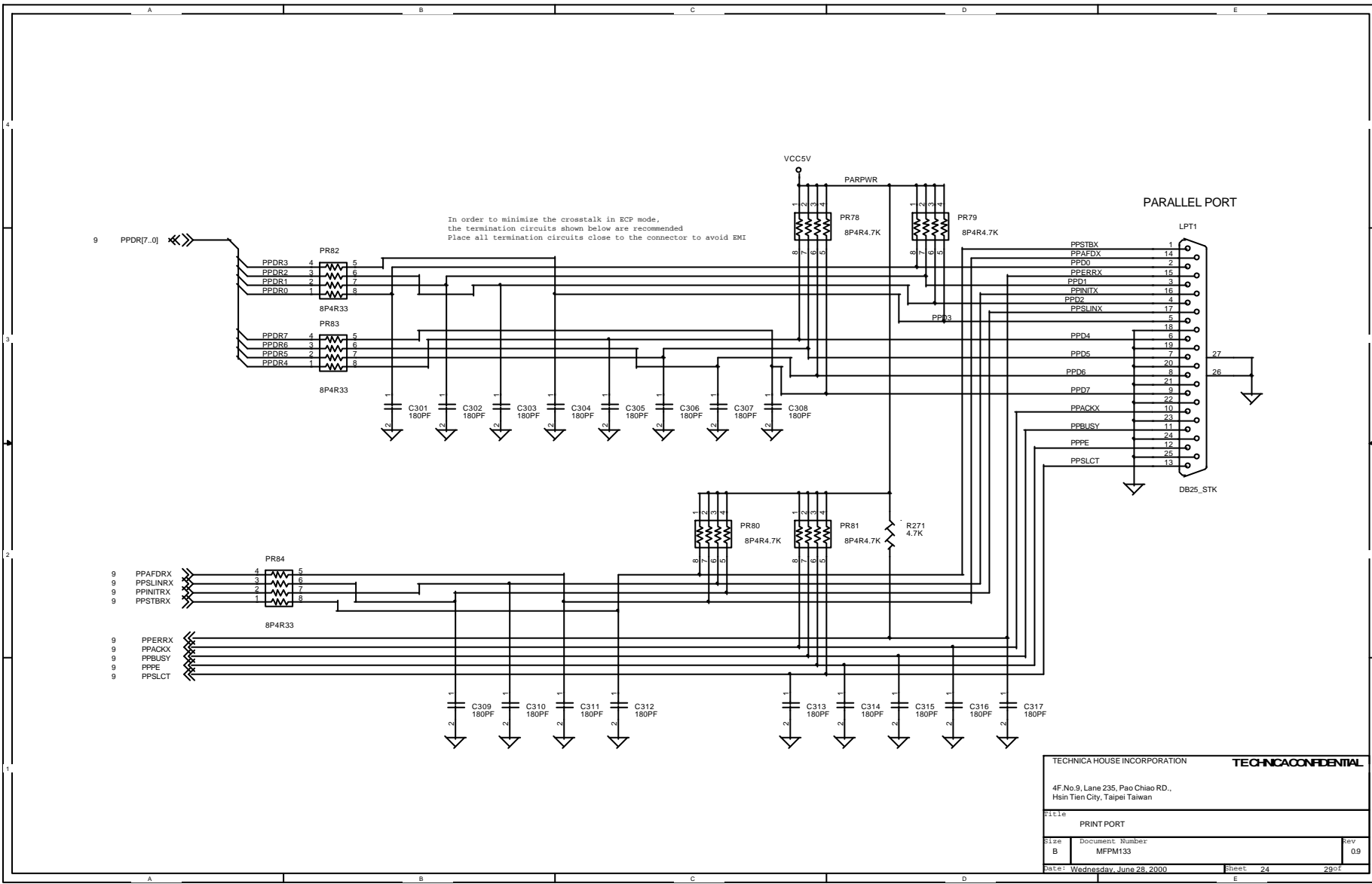
TECHNICA HOUSE INCORPORATION		TECHNICA CONFIDENTIAL
4F.No.9, Lane 235, Pao Chiao RD., Hsin Tien City, Taipei Taiwan		
Title		
TEMP. SENSOR		
Size	Document Number	Rev
A	MFPM133	0.9
Date: Wednesday, June 28, 2000		Sheet 21 29 of



TECHNICAL CONFIDENTIAL
[REDACTED]



TECHNICA HOUSE INCORPORATION		TECHNICA CONFIDENTIAL	
4F, No.9, Lane 235, Pao Chiao RD., Hsin Tien City, Taipei Taiwan			
Title USB1.2			
Size B	Document Number MFPM133		Rev 0.9
Date: Wednesday, June 28, 2000		Sheet 23	29 of



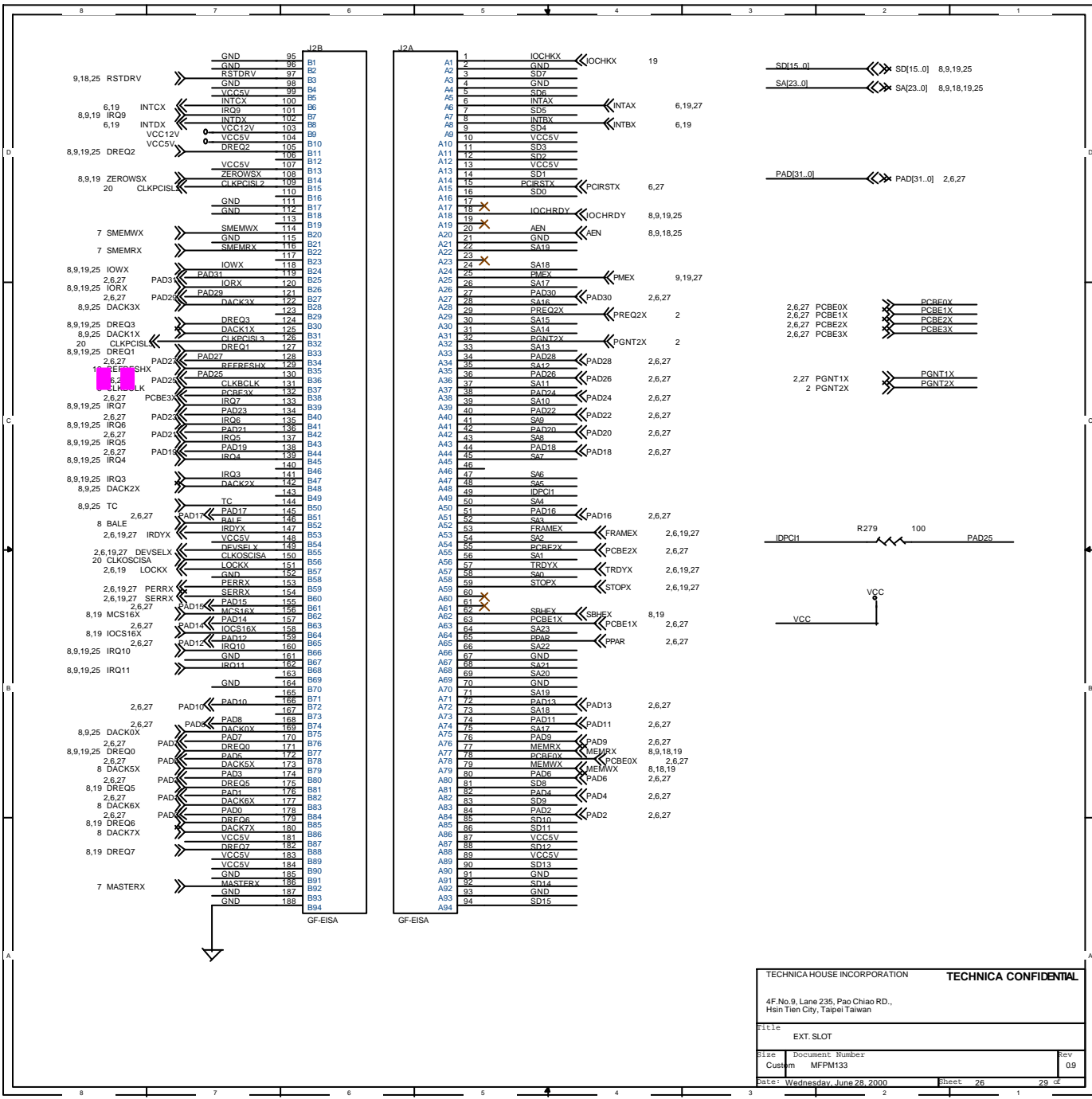
TECHNICA HOUSE INCORPORATION **TECHNICA CONFIDENTIAL**

4F.No.9, Lane 235, Pao Chiao RD.,
Hsin Tien City, Taipei Taiwan

Title PRINT PORT

Size B	Document Number MFM1133	Rev 0.9
--------	-------------------------	---------

Date: Wednesday, June 28, 2000 Sheet 24 of 29



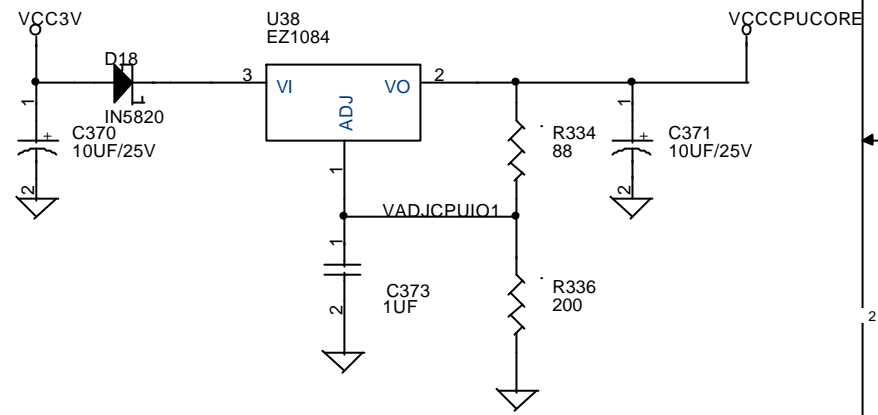
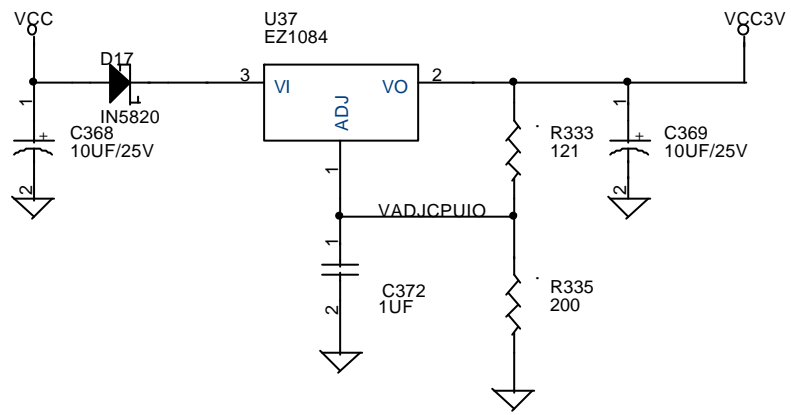
TECHNICA HOUSE INCORPORATION TECHNICA CONFIDENTIAL

4F, No. 9, Lane 235, Pao Chiao RD.,
Hsin Tien City, Taipei Taiwan

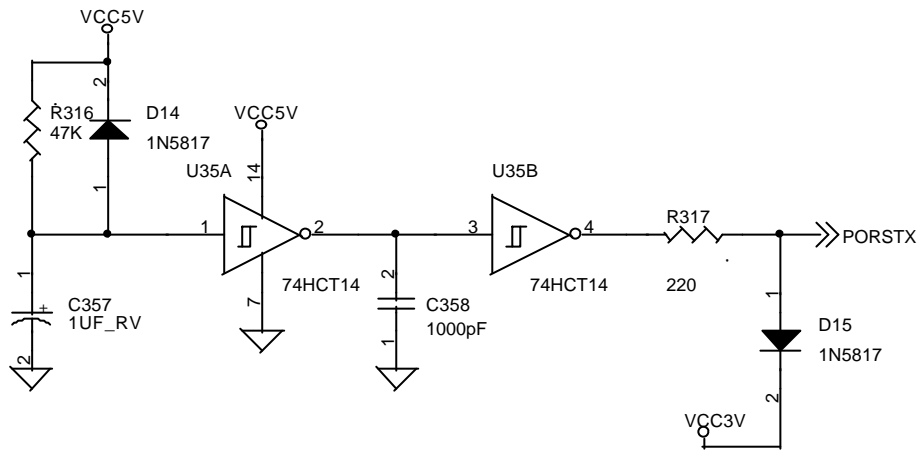
Title: EXT. SLOT

Size	Document Number	rev
Custom	MFPM133	0.9

Date: Wednesday, June 28, 2000 Sheet: 26 29 of



TECHNICA HOUSE INCORPORATION		TECHNICA CONFIDENTIAL
4F.No.9, Lane 235, Pao Chiao RD., Hsin Tien City, Taipei Taiwan		
Title POWER		
Size A	Document Number MFPM133	Rev 0.9
Date: Wednesday, June 28, 2000		Sheet 28 29 of



TECHNICA HOUSE INCORPORATION		TECHNICA CONFIDENTIAL
4F.No.9, Lane 235, Pao Chiao RD., Hsin Tien City, Taipei Taiwan		
Title SYSTEM RESET		
Size A	Document Number MFPM133	Rev 0.9
Date: Wednesday, June 28, 2000		Sheet 29 of 29