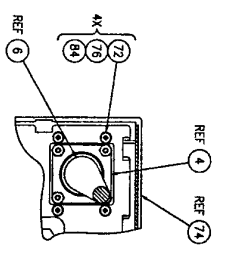
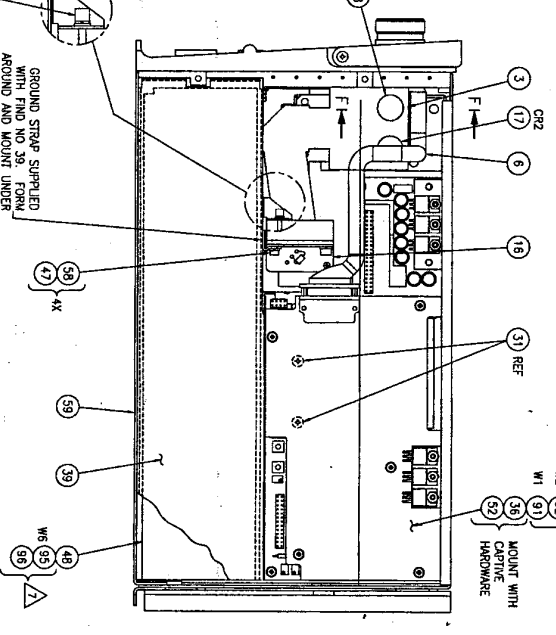
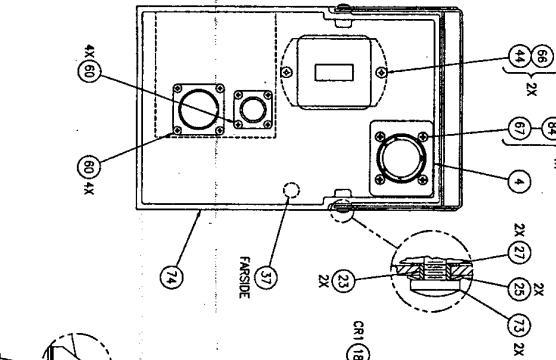
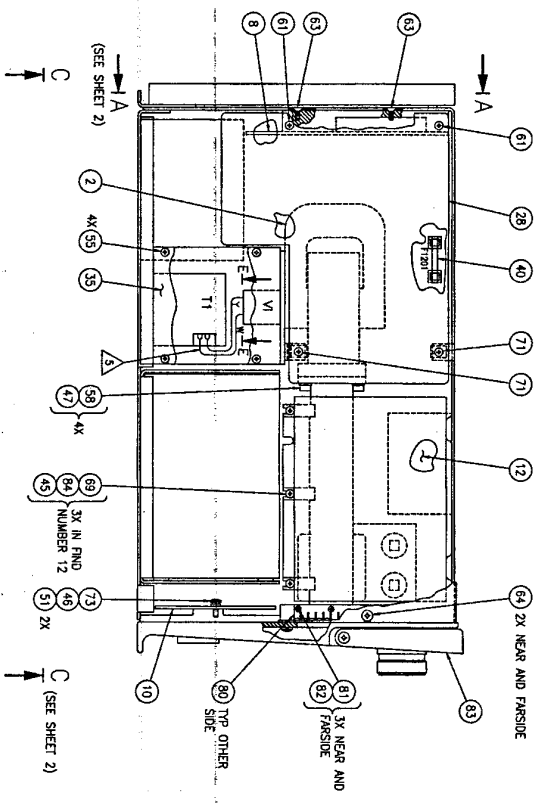


PARTIAL VIEW E-E



PARTIAL SECTION F-F



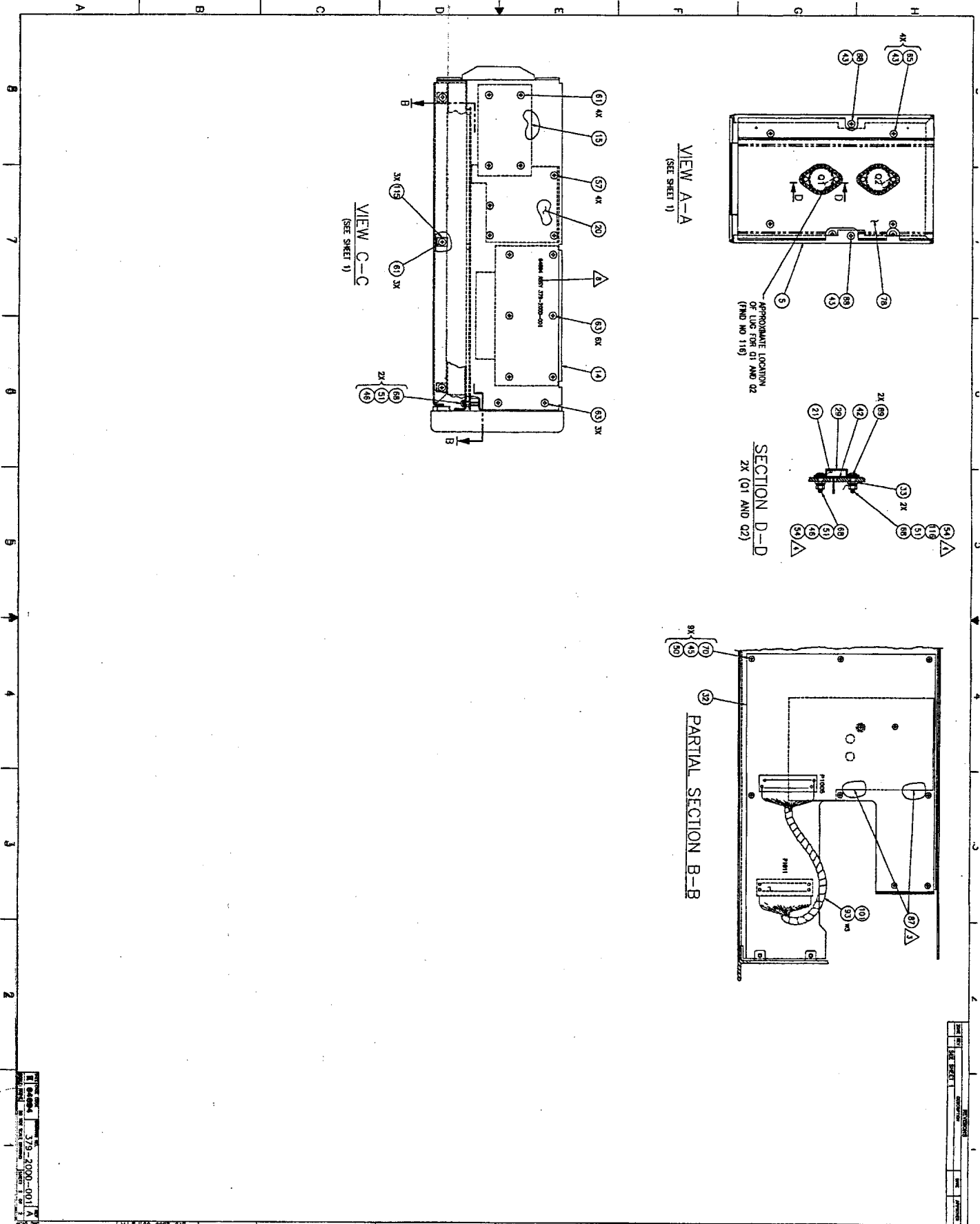
- NOTES: UNLESS OTHERWISE SPECIFIED
 INTERPRET DRAWING IAW MIL-STD-100.
 1 MANUFACTURE IAW FND NO. 7.
 PLACE INSULATOR FND NO. 87 AGAINST TWO STANDOFFS AND APPLY AS SHOWN.
 TORQUE SCREW & NUT TO 5.0±.25 INCH-LBS.
 CUT V1 LEADS 2.75 IN, STRIP .25 IN AND TIN.
 ALL WIRE AND TUBING LENGTHS IN PARTS LIST ARE APPROXIMATE AND FOR PACKAGING INFORMATION ONLY; ALL LENGTHS ARE DESIGNATED IN FEET OR DECIMAL THEREOF.
 FOR CABLING AND KEYING INFORMATION SEE WIRING DIAGRAM FND NO. 106.
 MARK CAGE CODE AND ASSEMBLY NUMBER WITH .13 HIGH GOTHIC CHARACTERS USING FND NO. 9 IAW FND NO. 11.
 THIS ASSEMBLY CONTAINS ELECTROSTATIC SENSITIVE DEVICES AND SHALL BE ASSEMBLED AND HANDLED IAW FND NO. 13.

REV	DATE	DESCRIPTION
001		DASH NO.
A		PART REV

REV	DATE	DESCRIPTION
1		INITIAL DESIGN
2		DESIGN CHANGES
3		MANUFACTURING
4		REVISIONS

REV	DATE	DESCRIPTION
1		INITIAL DESIGN
2		DESIGN CHANGES
3		MANUFACTURING
4		REVISIONS

CAUTION
 RADIO FREQUENCY
 INTERFERENCE
 PROTECTED BY
 PATENT RIGHTS
 SEE SEPARATE PARTS LIST PL 379-2004-001
Telephonics
 RECEIVER TRANSMITTER RT-1601
 379-2004-001



REV	DATE	BY	CHKD

379-2000-001