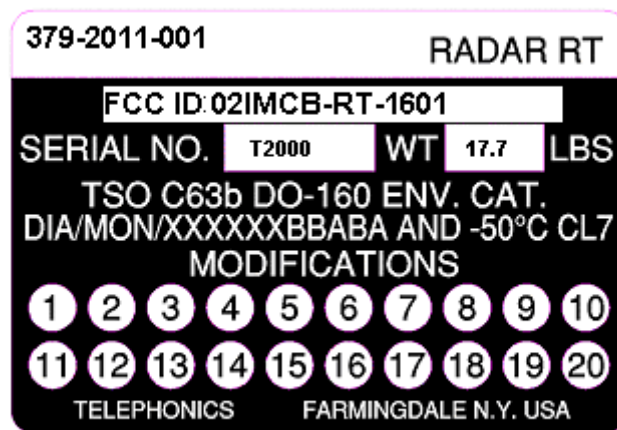
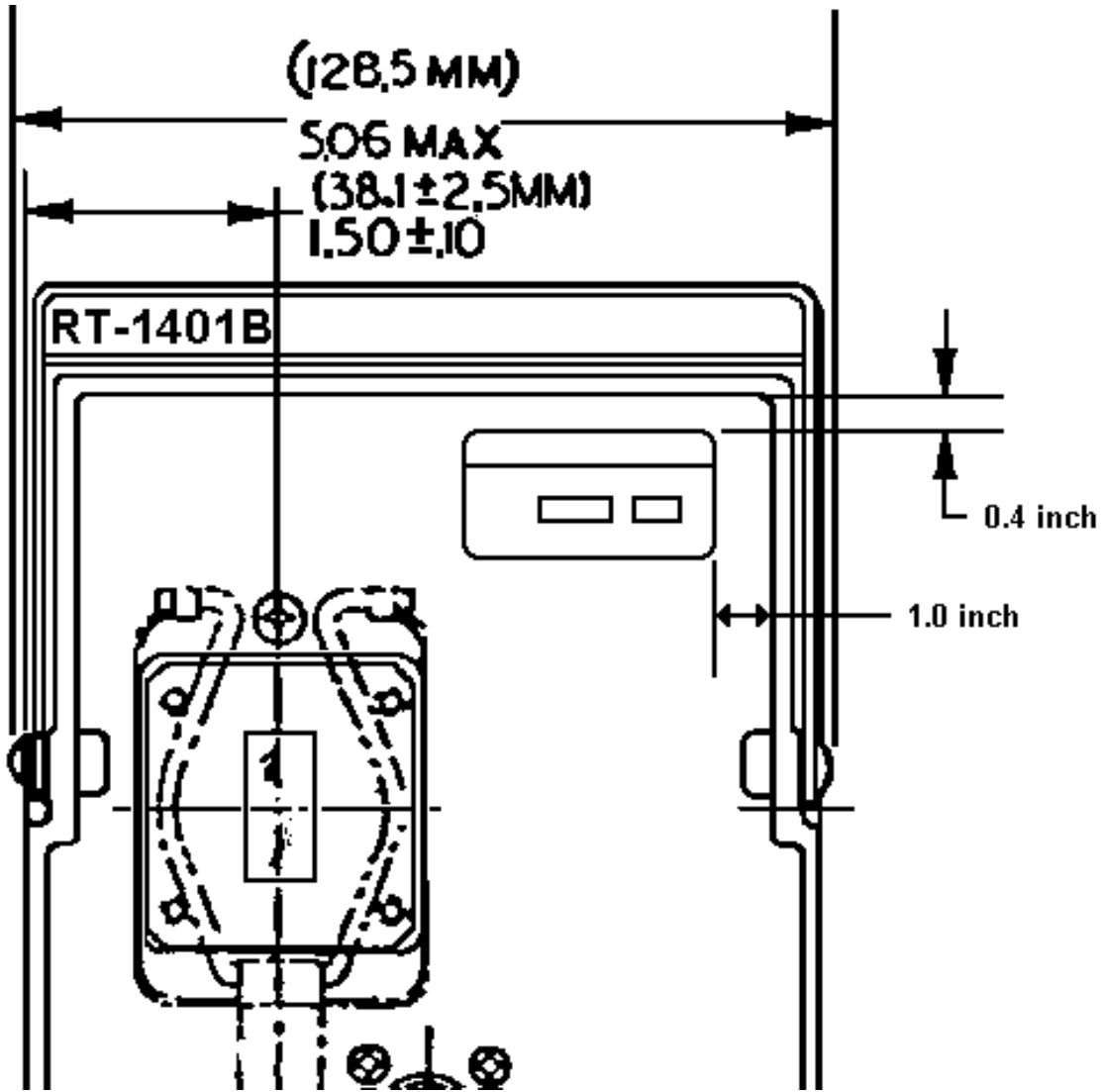




This word document contains figures representing the Name Plate Dwg for the Receiver Transmitter RT-1601. These figures are scanned images from drawing part number 379-1004-XXX, Revision F. In addition there are two figures representing label placement.



Identification Label for RT-1601 shown twice full scale.  
(Full Scale Dimensions are 1.07" Height by 1.56" Wide)



Label is placed centralized in area as shown  $\pm 0.1$  inches

