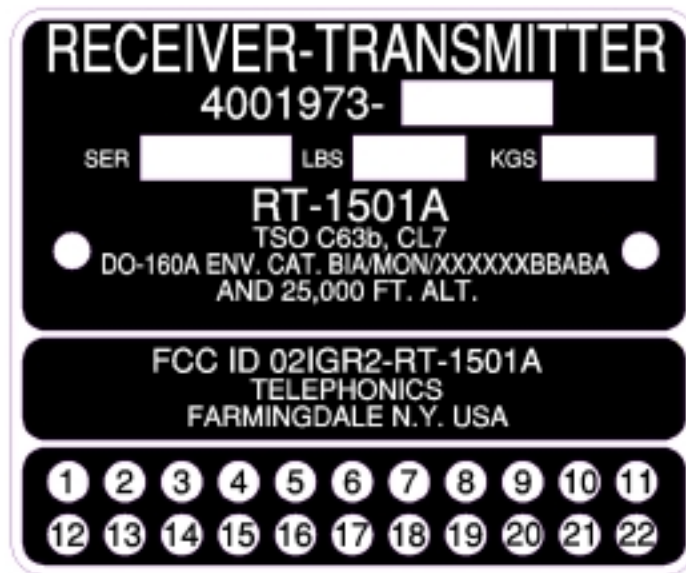




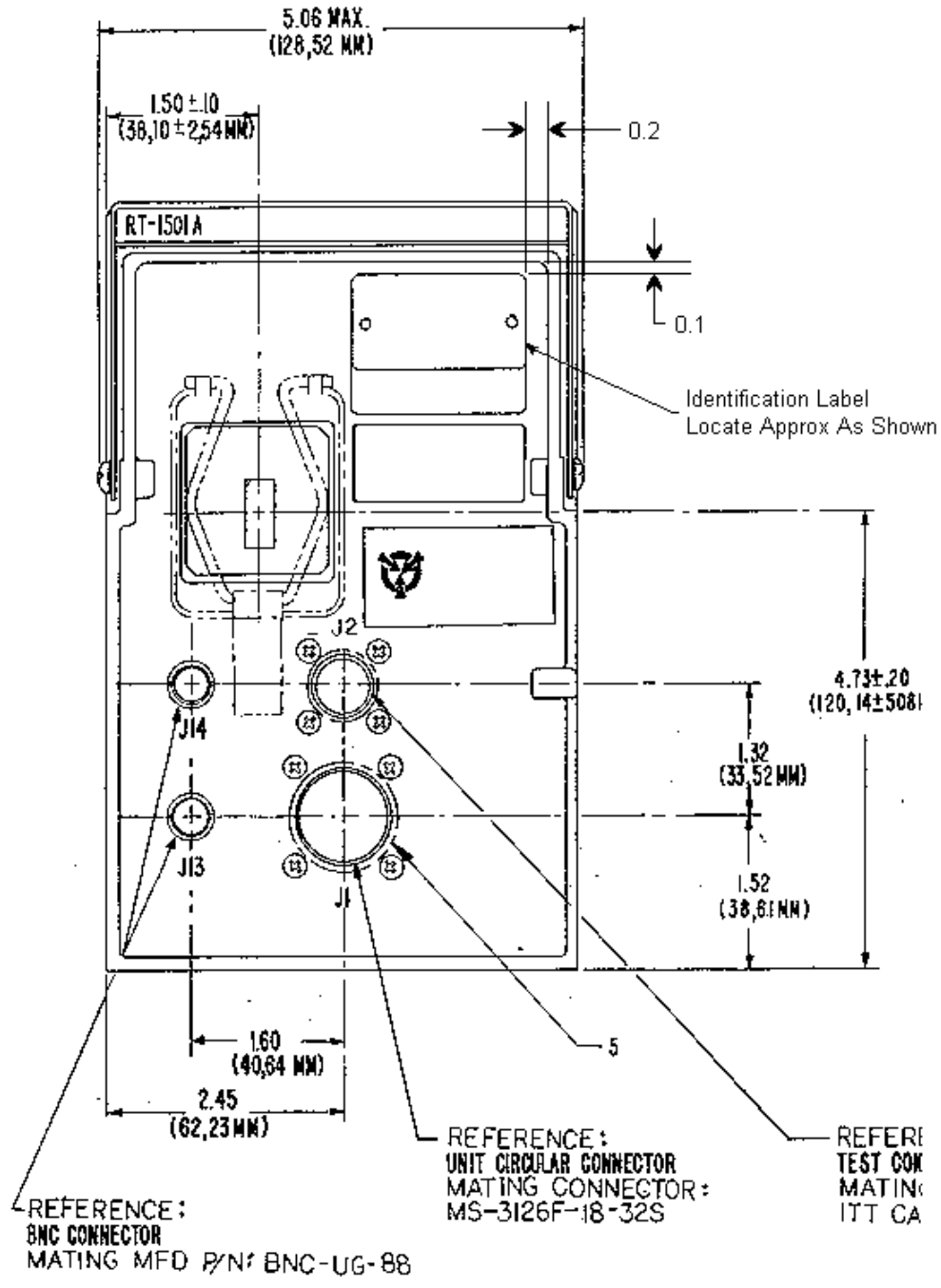
815 Broad Hollow Rd., Farmingdale, New York 11735

(631) 755-7625 Fax: (631) 755-7046

This word document contains a drawing of the identification label and a sketch showing where it will be placed on the equipment. The drawing represents Figure 1 from Name Plate Dwg for the Receiver Transmitter RT-1501A from drawing part number 381-1004-005, Revision A.



Identification Label for RT-1501A shown twice full scale.
(Full Scale Dimensions are 1.50" Height by 1.81" Wide)



Label is placed centralized in area as shown ± 0.1 inches