



815 Broad Hollow Rd., Farmingdale, New York 11735

(631) 755-7625 Fax: (631) 755-7046

This word document contains figures representing the Parts List for the Receiver Transmitter RT-1501A. These figures are scanned images from section VI of the maintenance manual part number 006-15590-0000, Revision 2 dated October 1991. It should be noted that those pages "Intentionally Left Blank" were not scanned and are therefore not included here.



BENDIX/KING
MAINTENANCE MANUAL
RT-1501A RECEIVER-TRANSMITTER

SECTION VI PARTS LIST

1. General

This Parts List is a list of assemblies and parts for the above equipment manufactured by the Bendix/King General Aviation Avionics Division.

Periodically the Parts List is revised to cover additions, deletions, or changes to the equipment.

2. Parts List

The Parts List consists of a breakdown of the unit into assemblies and detailed parts.

A. REFERENCE DESIGNATION Column and FIGURE/ITEM Column

Listed in these columns are all reference designations, figure and item numbers assigned to the associated part numbers.

B. DESCRIPTION Column

In this column is listed the noun name for each assembly, subassembly, sub-subassembly, and detail part. If applicable, a description and serial number or modification level effectivity are also listed.

C. UNITS PER ASSY Column

This column contains the number of parts required for each assembly or subassembly. The letters "AR" denote that the selection of a part or parts should be made as required. "REF" is used if the item is listed for reference purposes.

D. USED ON Column

Part variations within different models of the same equipment are indicated in the USED ON column. In cases where this column has been left blank, the part listed will apply to all models of equipment covered by this publication.



BENDIX/KING

**MAINTENANCE MANUAL
RT-1501A RECEIVER-TRANSMITTER**

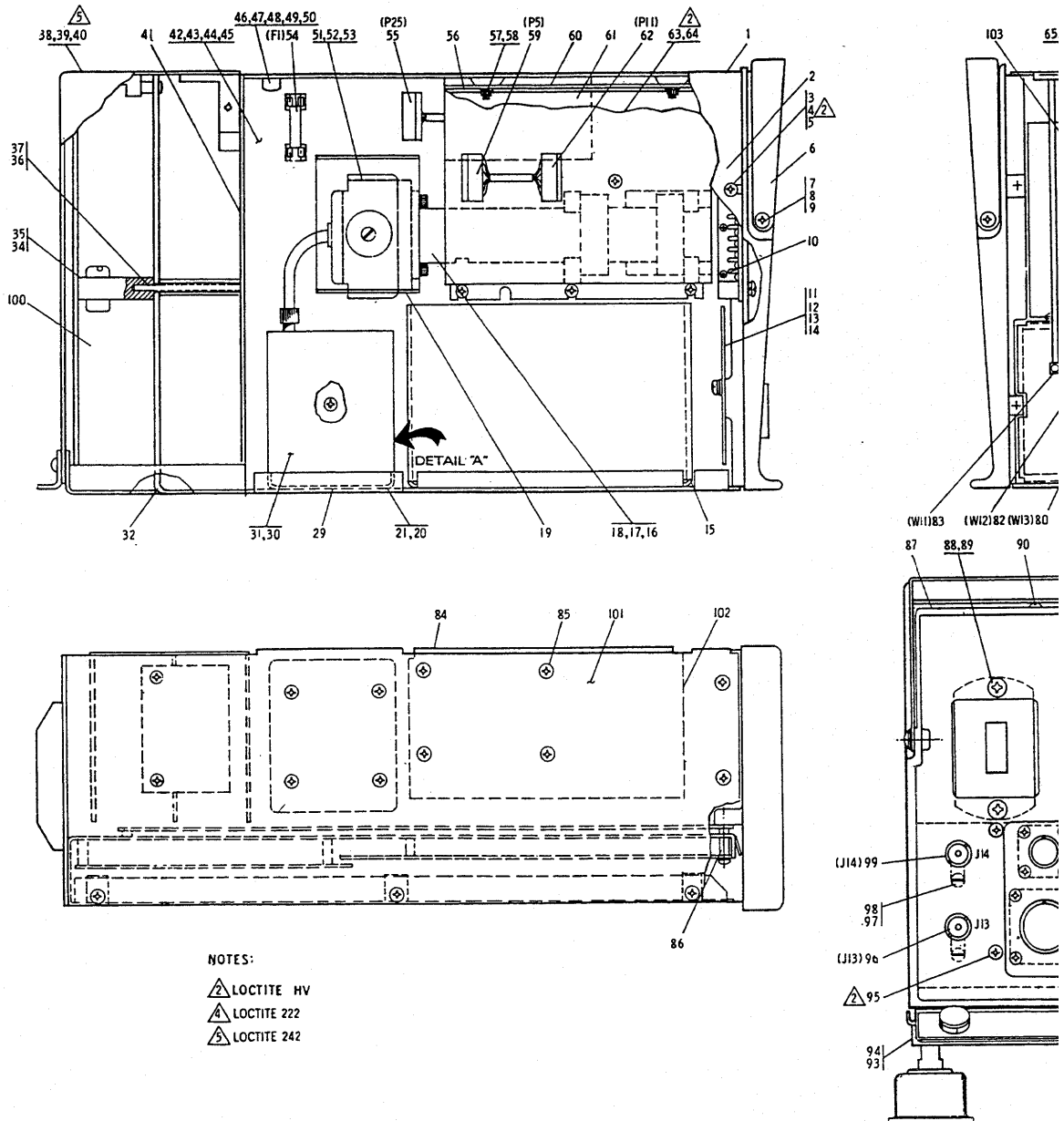
2.D.

REVISION IDENTIFICATIONS

GLOSSARY OF TERMS	
S/B	Service Bulletin
S/N	Serial Number
P/N	Part Number
P/M	Plus or Minus
N/A	Not Applicable
N/S	Not Specified
NHA	Next Highest Assembly
P/N Corrected, Effectivity N/A	Previous part number listed incorrectly. Units not affected. Parts in stock under previous part number not usable for this part.
Running Change, Effectivity N/S	Item no longer available. Vendor change for similar replacement, etc. Existing parts under previous part numbers usable.
Listing Error Corrected, Effectivity N/A	Parts not affected.
Unused	Item number not used.
Changed, Effective Subassy Mod ___ S/N ___	Changed part number. Previous part to be used if this change is not incorporated.
Added, Effective Subassy Mod ___ S/N ___	New item added.
Deleted, Effective Subassy Mod ___ S/N ___	Previous part to be used if this change is not incorporated.
Relocated, Effective Subassy Mod ___ S/N ___	Item moved to new location. Parts not affected.
ESDS	ESDS device identification is in the part description. Special handling per procedure in "Maintenance Practices" section.

BENDIX/KING

MAINTENANCE MANUAL RT-1501A RECEIVER-TRANSMITTER

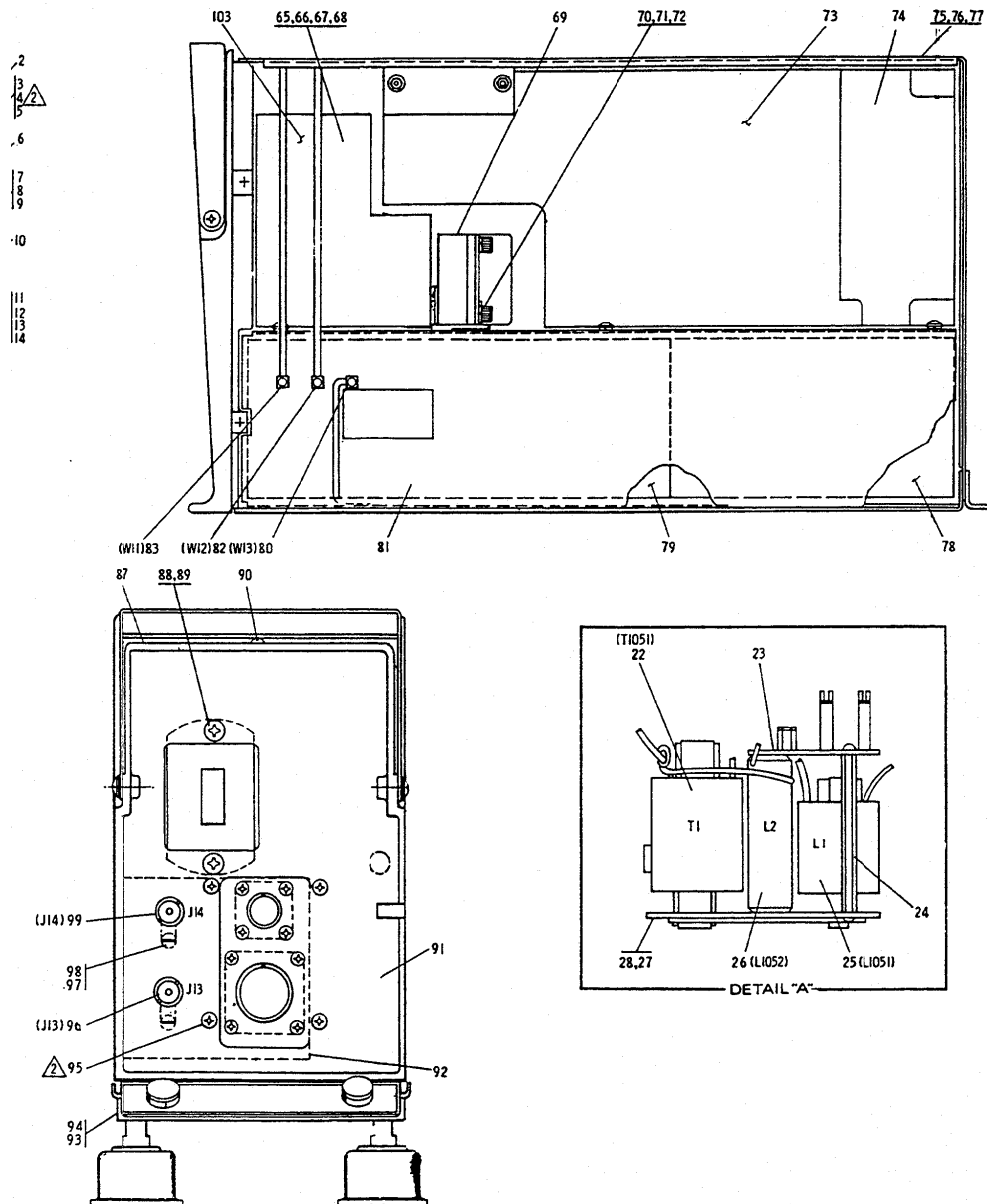


D8063469

I.B. 21500B
PART 4

RT-1501A RECEIVER TRANSMITTER
FIGURE 6-1

6-3/6-4
OCT/91



6-4
/91



815 Broad Hollow Rd., Farmingdale, New York 11735

(631) 755-7625 Fax: (631) 755-7046

BENDIX/KING

MAINTENANCE MANUAL
RT-1501A RECEIVER TRANSMITTER
SECTION VI PARTS LIST

REF DESIG	FIG ITEM	DESCRIPTION	UNITS PER ASSY	USED ON	BENDIX PART NUMBER
	6-1				
	1	RT-1501A RECEIVER TRANSMITTER	1		4001973-0151
	2	COVER, DUST	1		3611409-0501
	3	SCREW, BINDING HEAD	6		6430-0604
	4	SCREW, FLAT HEAD	6		6232-0403
	5	WASHER, LOCK	2		36037-3505
	6	HANDLE ASSEMBLY	1		4007379-0509
	7	SPACER, TUBULAR	2		34000-0119
	8	WASHER, MYLAR	2		34017-0027
	9	WASHER, BOWED	2		36006-0013
	10	CIRCULATOR, X-BAND	1		4005844-0001
	11	MODULE, CONNECTOR	1		2040413-0501
		SEE FIG/ITEM 6-3 FOR BREAKDOWN			
	12	SCREW, BINDING HEAD	2		6432-0605
	13	WASHER, LOCK	1		36037-3405
	14	WASHER, FLAT	1		36039-3410
	15	SHEILD	1		3612291-0001
	16	UNUSED			
	17	SCREW	4		46068-0406S
	18	WASHER, LOCK	4		36037-3403
	19	SHEILD, MAGNETIC	1		8050702-0001
	20	TRANSFORMER, PULSE ASSEMBLY	1		2040524-0502
	21	SCREW, FLAT HEAD	4		6432-0405
T1050	22	TRANSFORMER, PULSE	4		17533-0001
	23	BOARD, TERMINAL ASSEMBLY	1		2040544-0501
		SEE FIG/ITEM 6-2 FOR BREAKDOWN			
	24	SPACER	1		34003-0239
L1051	25	INDUCTOR	1		17534-0001
L1052	26	INDUCTOR	1		17532-0001
	27	PLATE, TERMINAL BOTTOM	1		8050057-0001
	28	SCREW, BINDING HEAD	7		6432-0403
	29	SHELL	1		8050056-0001
	30	COVER, SHELL	1		8050056-0002
	31	WASHER, LOCK	1		36037-3403
	32	MODULE, PULSER	1		3606487-0501
		SEE FIG/ITEM 6-9 FOR BREAKDOWN			
	32A	MODULE, PULSER	1		3606487-0502
		SEE FIG/ITEM 6-9 FOR BREAKDOWN			
		RUNNING CHANGE, EFF N/S			
	33	UNUSED			
	34	MODULE, MODULATOR	1		3606478-0501
	35	SCREW, FLAT HEAD	3		6232-0404
	36	SPACER	1		2080078-0036
	37	SCREW, FLAT HEAD	1		6732-0428
	38	SHIELD	1		8091460-0001
	39	SCREW, FLAT HEAD	4		6432-0405
	40	WASHER, FLAT	4		36038-3406
	41	MODULE, REGULATOR	1		3606456-0501
		SEE FIG/ITEM 6-8 FOR BREAKDOWN			
	41A	MODULE, REGULATOR	1		3606486-0501
		SEE FIG/ITEM 6-8 FOR BREAKDOWN			
		P/N CORRECTED, EFF N/A			
	42	BOARD, INTERCONNECT	1		3606475-0501
		SEE FIG/ITEM 6-4 FOR BREAKDOWN			
	42A	BOARD, INTERCONNECT	1		3606475-0502
		SEE FIG/ITEM 6-4 FOR BREAKDOWN			
		RUNNING CHANGE, EFF N/S			
	43	SCREW, BINDING HEAD	8		6432-0404
	44	WASHER, FLAT	8		36038-3407
	45	WASHER, LOCK	15		36037-3403

I.B. 215008
PART 4

6-5
OCT/91



815 Broad Hollow Rd., Farmingdale, New York 11735

(631) 755-7625 Fax: (631) 755-7046

BENDIX/KING

MAINTENANCE MANUAL
RT-1501A RECEIVER TRANSMITTER
SECTION VI PARTS LIST

REF DESIG	FIG ITEM	DESCRIPTION	UNITS PER ASSY	USED ON	BENDIX PART NUMBER
	46	CLAMP, CABLE	1		33033-0014
	47	SCREW, FLAT HEAD	1		6732-0405
	48	WASHER, LOCK	1		36037-3403
	49	WASHER, FLAT	1		36038-3406
	50	NUT, HEX	1		45043-3405
	51	MAGNETRON	1		3512060-0701
	52	SCREW, SOCKET HEAD	4		46068-0806S
	53	WASHER, LOCK	4		36037-3406
F1001	54	FUSE	1		21001-0087
P1025	55	CONNECTOR	1		24311-0096
	56	MODULE, AFC	1		2040421-0501
		SEE FIG/ITEM 6-13 FCR BREAKDOWN			
	57	SCREW, BINDING HEAD	6		6232-0405
	58	WASHER, FLAT	7		36038-3406
P1005	59	CONNECTOR	1		24202-0015
	60	CHASSIS, AFC	1		2040582-0501
	61	CHOKER, CHARGING	1		17530-0002
P1011	62	CONNECTOR	1		24202-0015
	63	COVER, AFC	1		4005985-0001
	64	SCREW, FLAT HEAD	8		6232-0405
	65	PREAMP LIMITER	1		3606479-0501
		SEE FIG/ITEM 6-14 FCR BREAKDOWN			
	65A	PREAMP LIMITER	1		3606479-0502
		SEE FIG/ITEM 6-14 FOR BREAKDOWN			
		RUNNING CHANGE, EFF N/S			
	66	SCREW, SOCKET HEAD	1		46068-0806S
	67	WASHER, FLAT	1		36038-3411
	68	WASHER, LOCK	1		36037-3406
	69	OSCILLATOR, LOCAL	1		2040691-0501
		SEE FIG/ITEM 6-12 FCR BREAKDOWN			
	70	SCREW, SOCKET HEAD	1		46068-0807S
	71	SCREW, SOCKET HEAD	3		46068-0806S
	72	WASHER, LOCK	4		36037-3406
	73	MODULE, PROCESSOR	1		3606476-0501
		SEE FIG/ITEM 6-7 FCR BREAKDOWN			
	74	MODULE, STC	1		3606477-0501
		SEE FIG/ITEM 6-15 FCR BREAKDOWN			
	75	FRAME, ASSEMBLY	1		2040475-0502
	75	SCREW, FLAT HEAD	7		6732-0404
	77	FASTNER, SPEED-NUT	3		45035-0001
	78	MODULE, BEACON	1		2040416-0503
		SEE FIG/ITEM 6-6 FCR BREAKDOWN			
	79	MODULE, RECEIVER	1		3606480-0501
		SEE FIG/ITEM 6-5 FOR BREAKDOWN			
W1013	80	CABLE, RIBBON	1		8057452-0503
	81	COVER, REC-BEACON	1		3606485-0501
W1012	82	CABLE, RIBBON	1		8057042-0502
W1011	83	CABLE, RIBBON	1		8057042-0501
	84	SUPPLY, POWER ASSEMBLY	1		2040420-0501
	85	SCREW, FLAT HEAD	6		6232-0605
	86	SPACER, HEX	2		34003-0247
	87	PANEL, FRONT ASSEMBLY	1		2040609-0501
	88	SCREW, PAN HEAD	2		6430-0806
	89	WASHER, LOCK	2		36037-3506
	90	BUTTON, PLASTIC	1		4005062-0001
	91	PANEL, FRONT SUB ASSEMBLY	1		2040609-0501
	92	PLATE, CONNECTOR MOUNTING	1		8050112-0001

I.B. 215008
PART 4

6-6
OCT/91



815 Broad Hollow Rd., Farmingdale, New York 11735

(631) 755-7625 Fax: (631) 755-7046

BENDIX/KING

MAINTENANCE MANUAL
RT-1501A RECEIVER TRANSMITTER
SECTION VI PARTS LIST

REF DESIG	FIG ITEM	DESCRIPTION	UNITS PER ASSY	USED ON	BENDIX PART NUMBER
	93	TRAY,MOUNTING	1		2040401-0501
	94	TRAY,MOUNTING	1		2040401-0502
	95	SCREW,FLAT HEAD	4		6730-0404
	96	CONNECTOR,COAX	1		24243-0054
	97	CLIP,COAX	2		8050113-0001
	98	SCREW,FLAT HEAD	8		6730-0405
	99	CONNECTOR,COAX	1		24243-0054
	100	MODULE,MID PULSE MODULATOR	1		3506472-0501
		SEE FIG/ITEM 6-17 FCR BREAKDOWN			
	100 A	MODULE,MID PULSE MODULATOR	1		3606472-0502
		SEE FIG/ITEM 6-17 FCR BREAKDOWN			
		RUNNING CHANGE,EFF N/S			
	101	MODULE,POWER SUPPLY CONTROL	1		2040523-0501
		SEE FIG/ITEM 6-10 FCR BREAKDOWN			
	102	MODULE,POWER SUPPLY CONTROL	1		2040522-0501
		SEE FIG/ITEM 6-11 FCR BREAKDOWN			
	103	MODULE,PREAMP BIAS	1		3606482-0501
		SEE FIG/ITEM 6-16 FCR BREAKDOWN			

I.B. 215008
PART 4

6-7/6-8
OCT/91