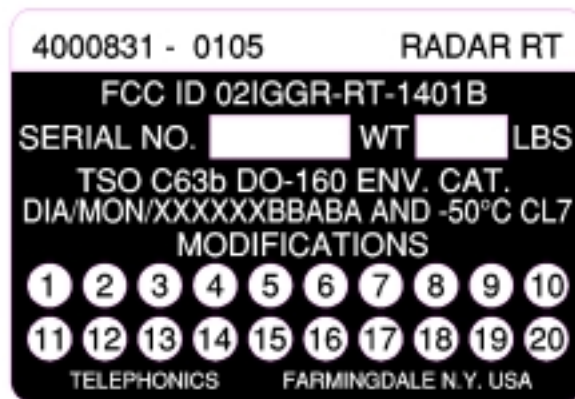




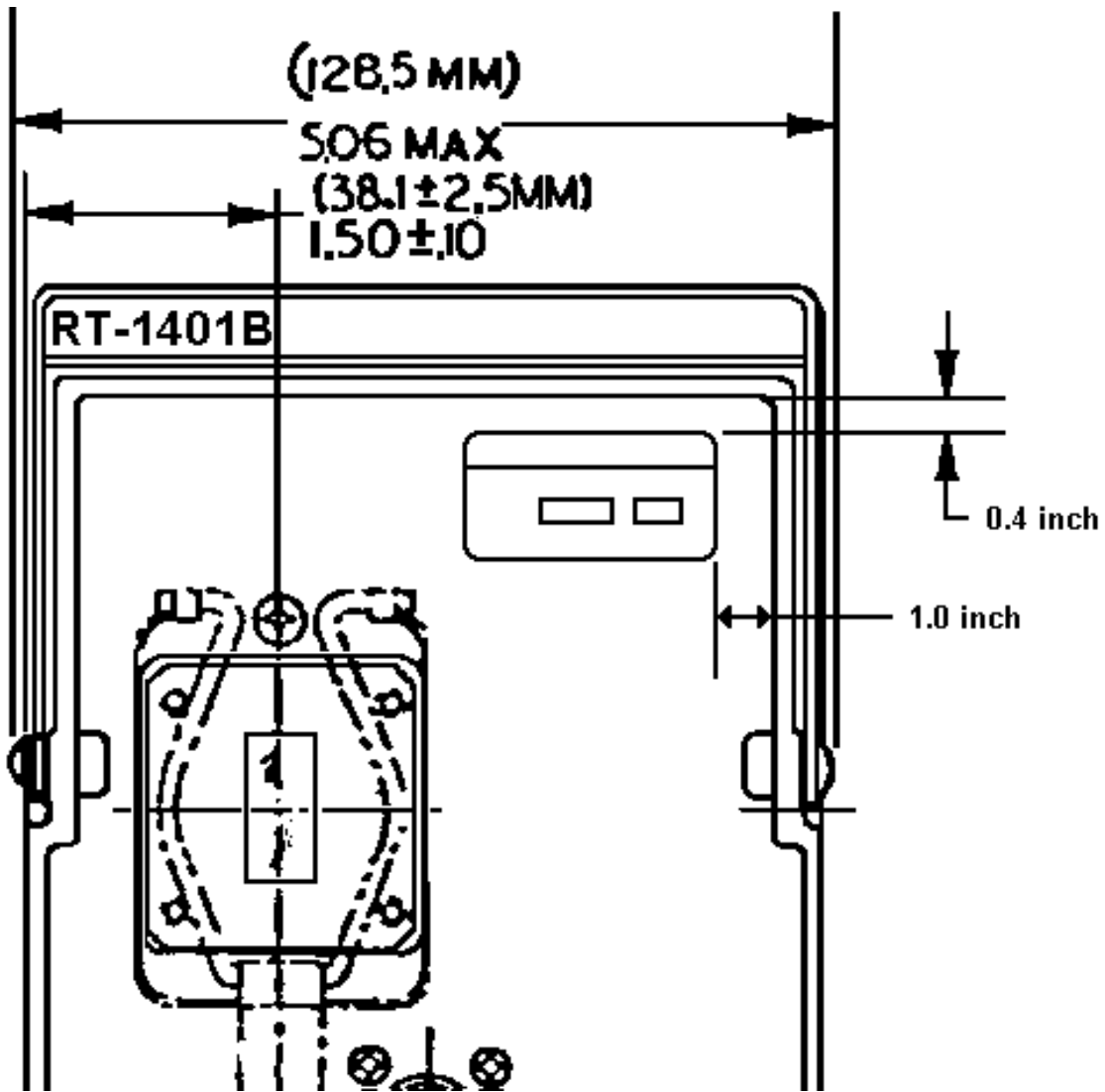
815 Broad Hollow Rd., Farmingdale, New York 11735

(631) 755-7625 Fax: (631) 755-7046

This word document contains a drawing of the identification label and a sketch showing where it will be placed on the equipment. The drawing represents Figure 1 from Name Plate Dwg for the Receiver Transmitter RT-1401B from drawing part number 379-1004-022, Revision B.



Identification Label for RT-1401B shown twice full scale.
(Full Scale Dimensions are 1.07" Height by 1.56" Wide)



Label is placed centralized in area as shown ± 0.1 inches