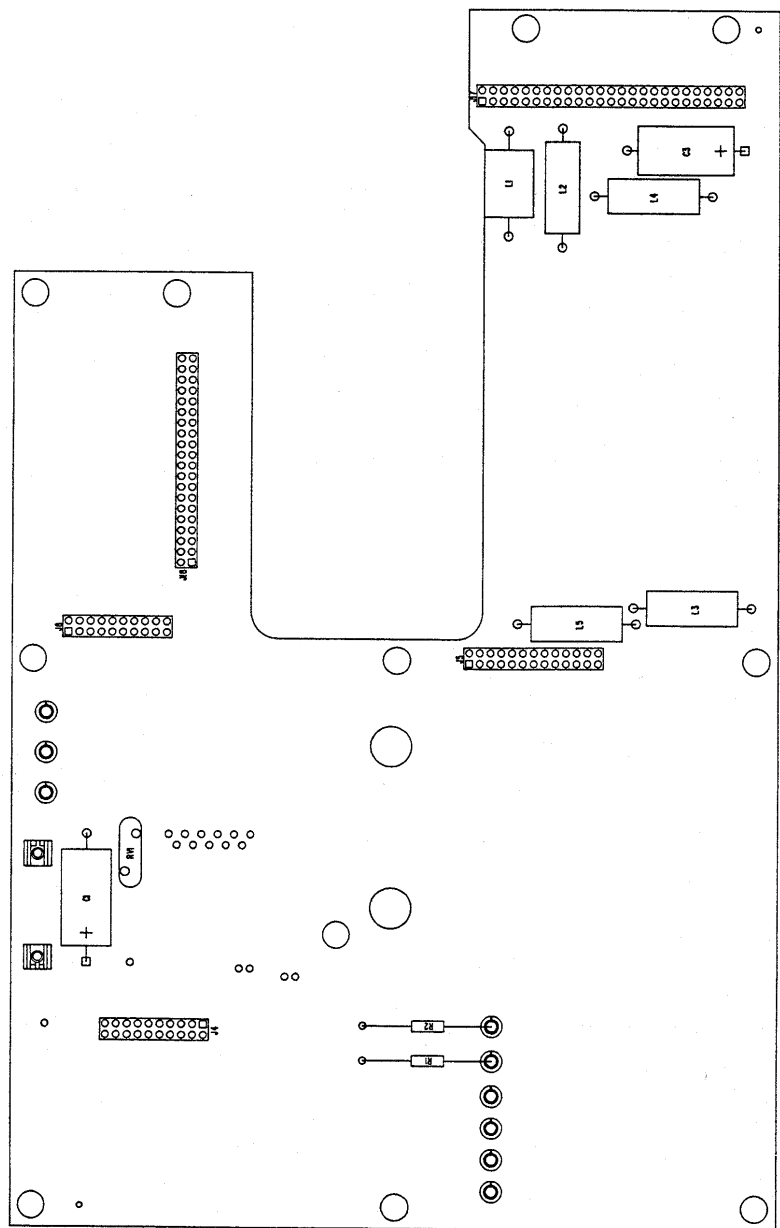




This word document contains figures representing the schematics for the Receiver Transmitter RT-1401B. These figures are scanned images from section V of the maintenance manual part number 006-05342-0002, Revision 2 dated June 1994. It should be noted that those pages “Intentionally Left Blank” were not scanned and are therefore not included here.

Figure 1	5-06 Interconnect.TIF	2
Figure 2	5-07 Main Frame Interconnect.TIF	3
Figure 3	5-08 Main Frame Interconnect.TIF	4
Figure 4	5-08-2 Main Frame Interconnect.TIF	5
Figure 5	5-08-3 Main Frame Interconnect.TIF	6
Figure 6	5-08-4 Main Frame Interconnect.TIF	7
Figure 7	5-10 Front Panel Connector.TIF	8
Figure 8	5-11 Front Panel Connector.TIF	9
Figure 9	5-12 Front Panel Connector.TIF	10
Figure 10	5-14 Receiver Board.TIF	11
Figure 11	5-15 Receiver Board.TIF	12
Figure 12	5-16 Receiver Board.TIF	13
Figure 13	5-18 Analog Video.TIF	14
Figure 14	5-18-1 Analog Video.TIF	15
Figure 15	5-19 Analog Video.TIF	16
Figure 16	5-20 Analog Video.TIF	17
Figure 17	5-21 Analog Video.TIF	18
Figure 18	5-22 Analog Video.TIF	19
Figure 19	5-24 Mode Decode.TIF	20
Figure 20	5-25 Mode Decode.TIF	21
Figure 21	5-26 Mode Decode.TIF	22
Figure 22	5-27 Mode Decode.TIF	23
Figure 23	5-28 Mode Decode.TIF	24
Figure 24	5-29 Mode Decode.TIF	25
Figure 25	5-30 Mode Decode.TIF	26
Figure 26	5-32 Modulator.TIF	27
Figure 27	5-33 Modulator.TIF	28
Figure 28	5-34 Modulator.TIF	29
Figure 29	5-37 Power Supply.TIF	30
Figure 30	5-38 Power Supply.TIF	31
Figure 31	5-39 Power Supply.TIF	32
Figure 32	5-40 Power Supply.TIF	33
Figure 33	5-42 Local Oscillator.TIF	34
Figure 34	5-43 Local Oscillator.TIF	35
Figure 35	5-46 Beacon Amplifier.TIF	36
Figure 36	5-47 Beacon Amplifier.TIF	37
Figure 37	5-48 Beacon Amplifier.TIF	38

BENDIX/KING  
MAINTENANCE MANUAL  
RT-1401B RECEIVER-TRANSMITTER

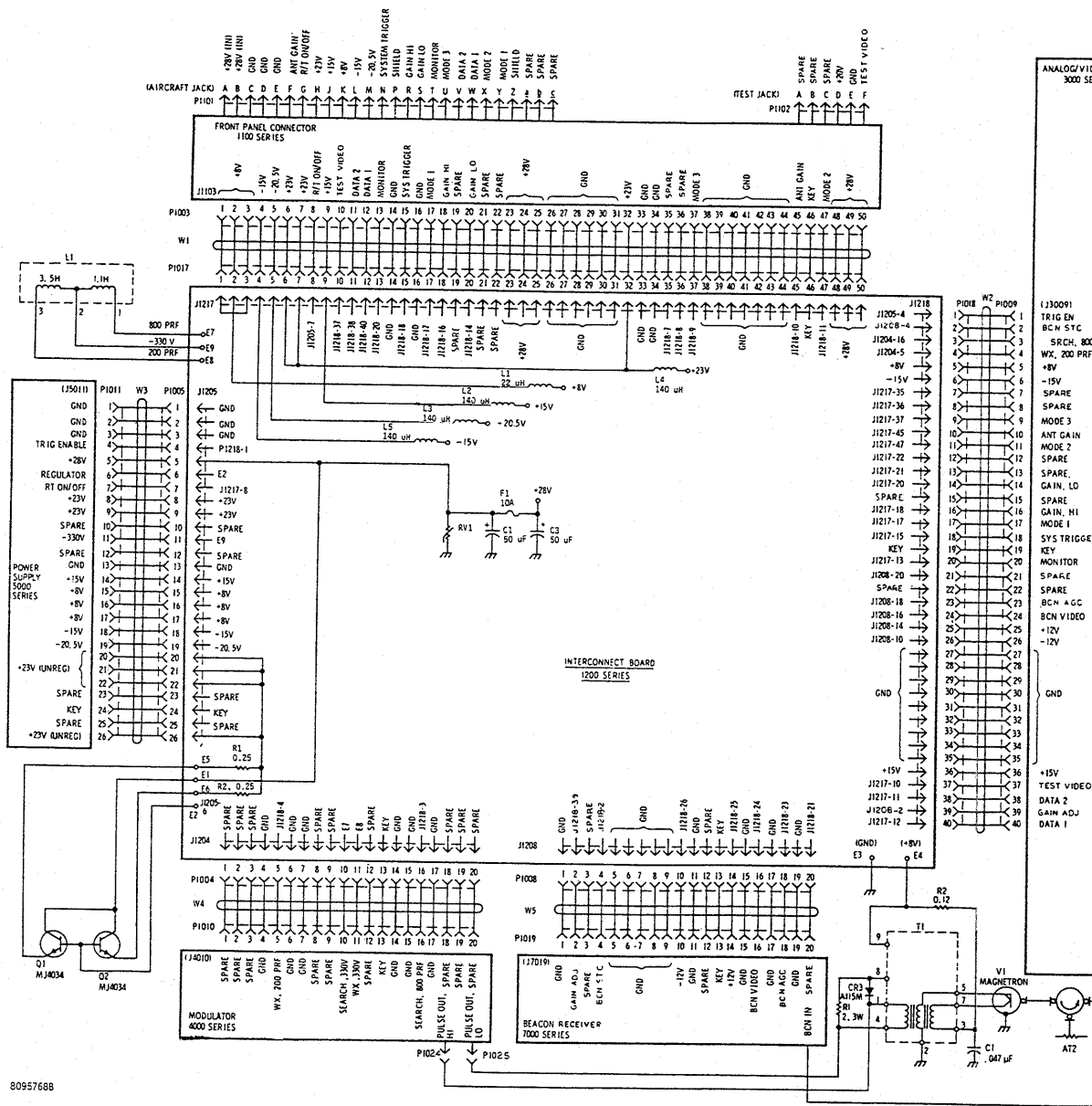


I.B. 21401B-1 Interconnect Board 3606464-0501

5-6  
Jan/91

Figure 1 5-06 Interconnect.TIF

**BENDIX/KING**  
**MAINTENANCE MANUAL**  
**RT-1401B RECEIVER-TRANSMITTER**



I.B. 21401B-1

Main Frame Interconnect Board, Schematic Diagram  
 Figure 5-1

5-7/5-8  
 Jan/91

**Figure 2 5-07 Main Frame Interconnect.TIF**

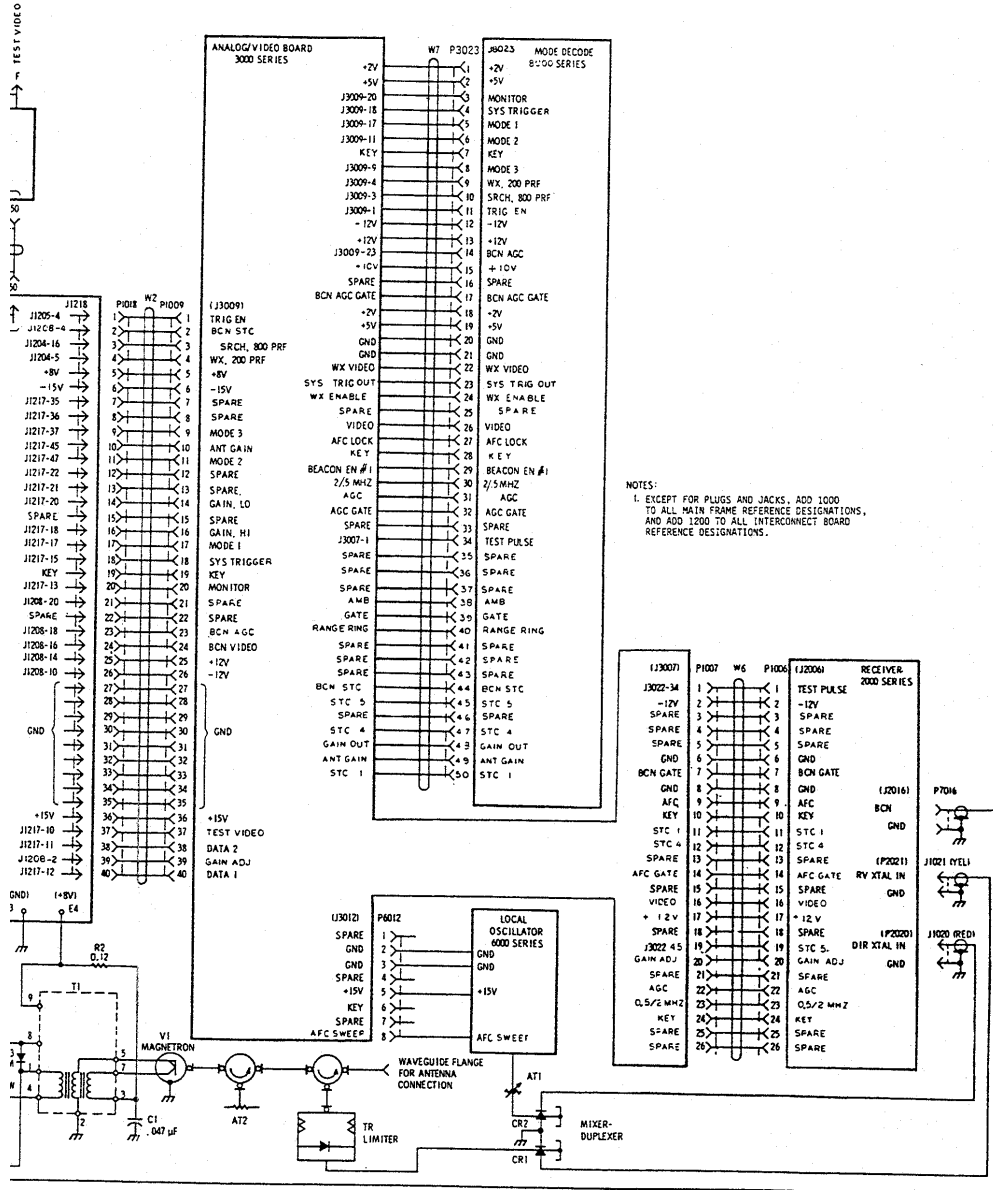
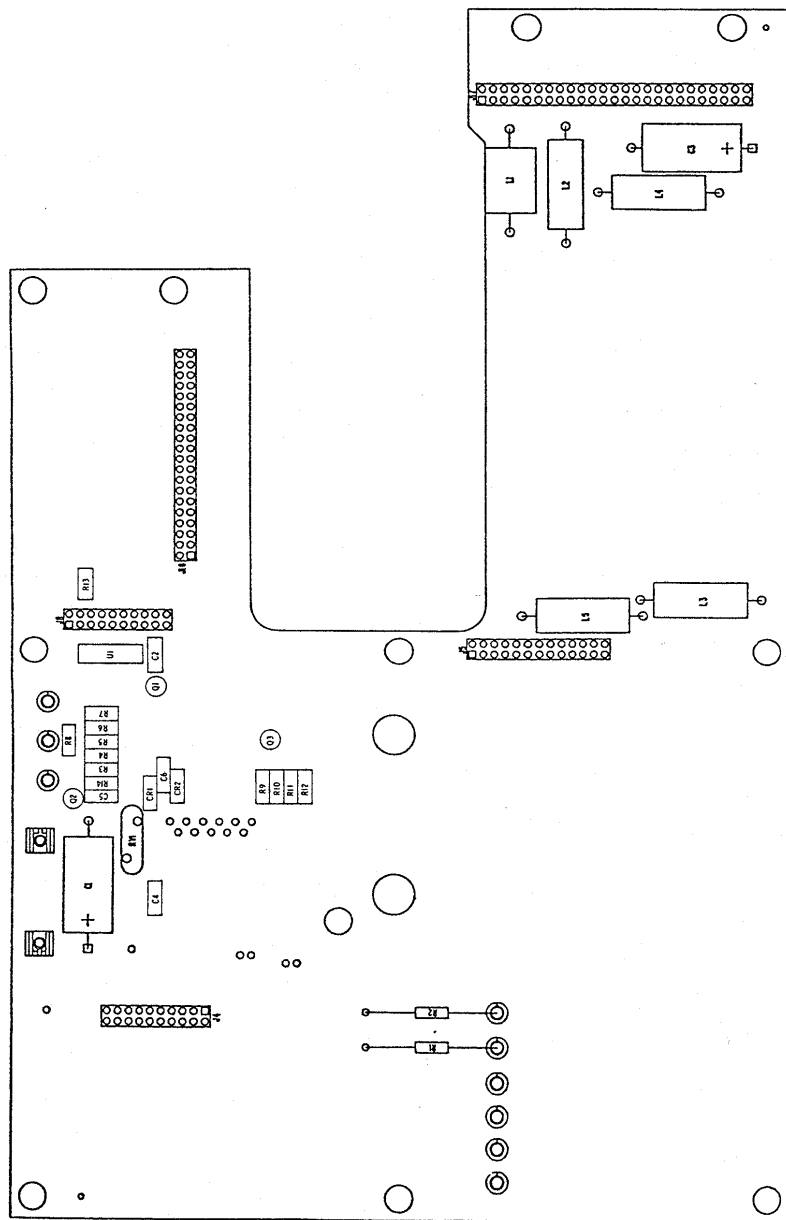


Figure 3 5-08 Main Frame Interconnect.TIF

BENDIX/KING  
MAINTENANCE MANUAL  
RT-1401B RECEIVER-TRANSMITTER



NOTES:  
1. ALSO REFER TO ALL REFERENCE DESIGNATIONS.  
2. (U) UNIVERSAL TRANSFER JDD.

D08387 A8

I.B. 21401B-1

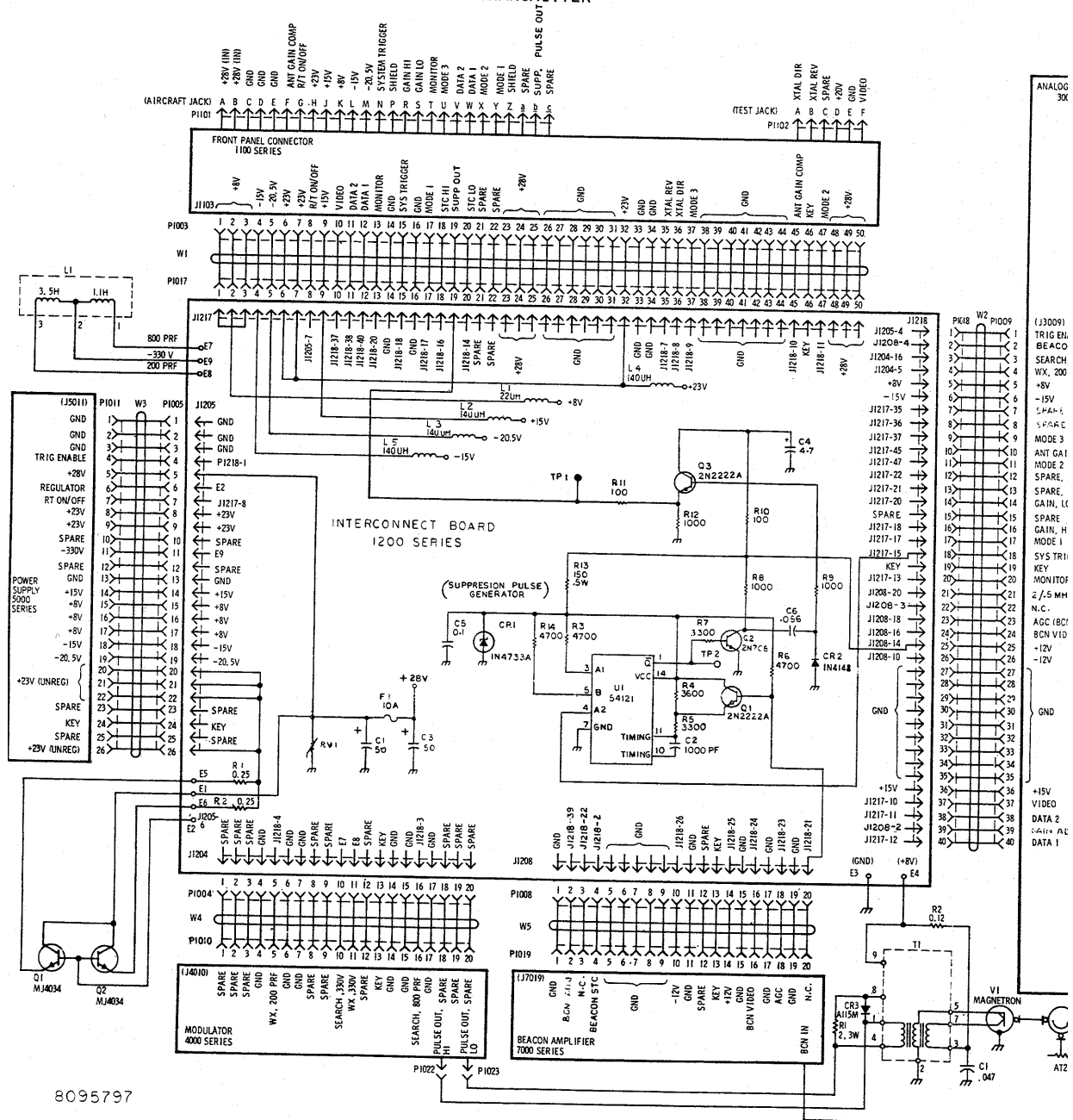
Interconnect Board 3606464-0502

5-8.2  
May/92

Figure 4 5-08-2 Main Frame Interconnect.TIF

## BENDIX/KING

### MAINTENANCE MANUAL RT-1401B RECEIVER-TRANSMITTER

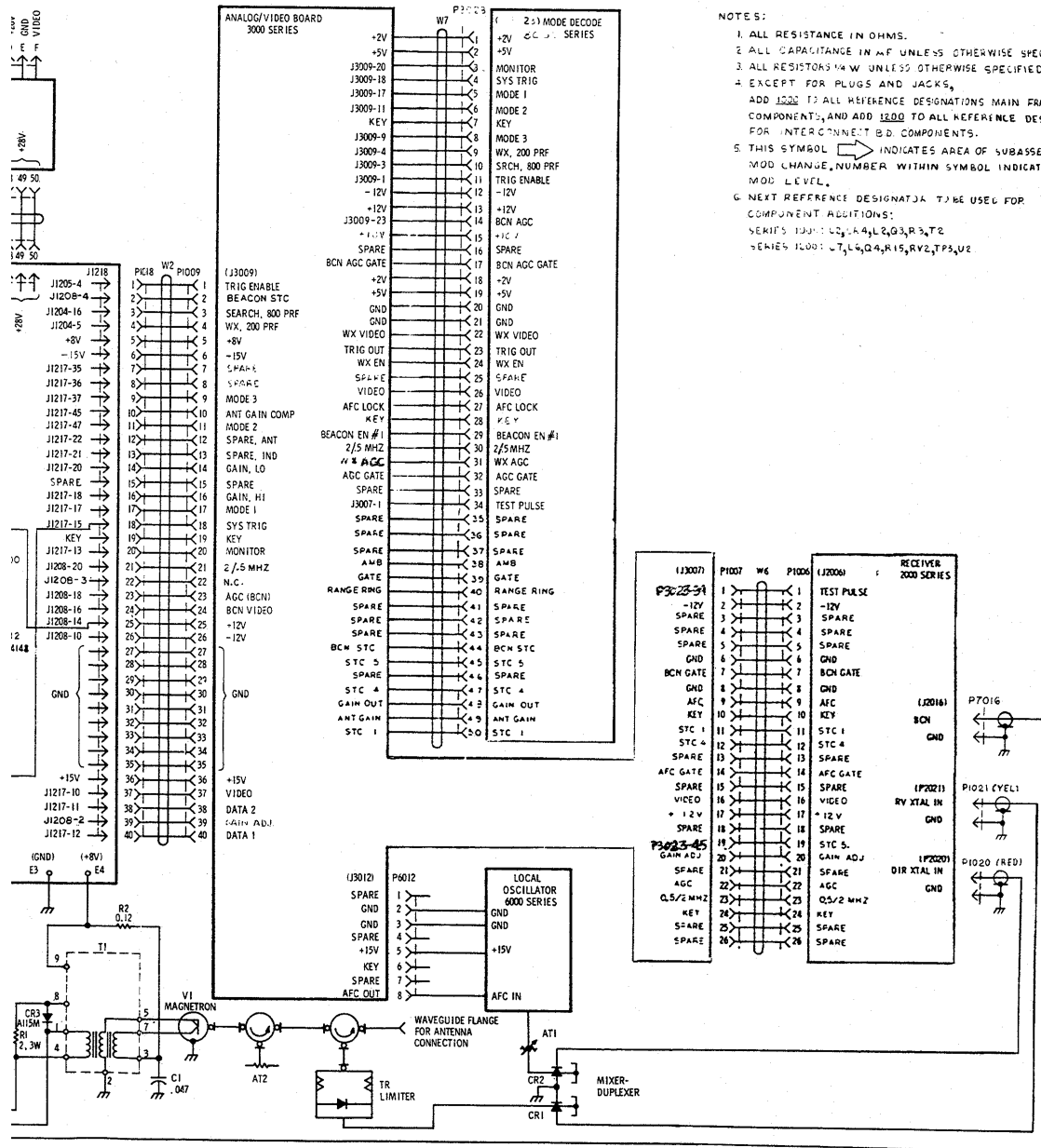


I.B. 21401B-1

Main Frame Interconnect Board, Schematic Diagram  
Figure 5-1.1

5-8.3/5-8.4  
May/92

Figure 5 5-08-3 Main Frame Interconnect.TIF

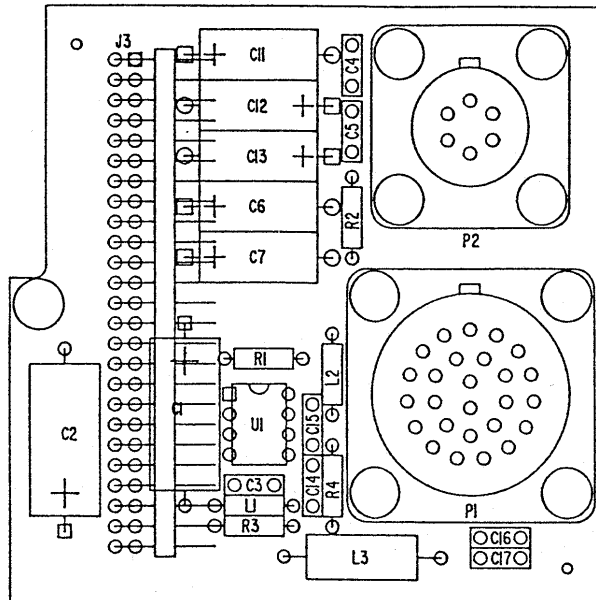


- NOTES:
1. ALL RESISTANCE IN OHMS.
  2. ALL CAPACITANCE IN MF UNLESS OTHERWISE SPECIFIED.
  3. ALL RESISTORS 1/4W UNLESS OTHERWISE SPECIFIED.
  4. EXCEPT FOR PLUGS AND JACKS, ADD 1000 TO ALL REFERENCE DESIGNATIONS MAIN FRAME COMPONENTS, AND ADD 1000 TO ALL REFERENCE DESIGNATIONS FOR INTERCONNECT B.D. COMPONENTS.
  5. THIS SYMBOL  $\Rightarrow$  INDICATES AREA OF SUBASSEMBLY. MOD CHANGE, NUMBER WITHIN SYMBOL INDICATES MOD LEVEL.
  6. NEXT REFERENCE DESIGNATION TO BE USED FOR COMPONENT ADDITIONS: SERIES 1001: Q1, A, L, R, G, R, T, C; SERIES 1002: L, T, L, Q, R, R, R, V, R, T, P, S, V, U.

Figure 6 5-08-4 Main Frame Interconnect.TIF

BENDIX/KING

MAINTENANCE MANUAL  
RT-1401B RECEIVER-TRANSMITTER



A8063139

NOTES:

1. ADD 1100 TO ALL REFERENCE DESIGNATIONS.
2. (11) HUMISEAL 1B31.
3. (12) HUMISEAL THINNER 503.

I.B. 21401B-1

Front Panel Connector Board 3606465-0501

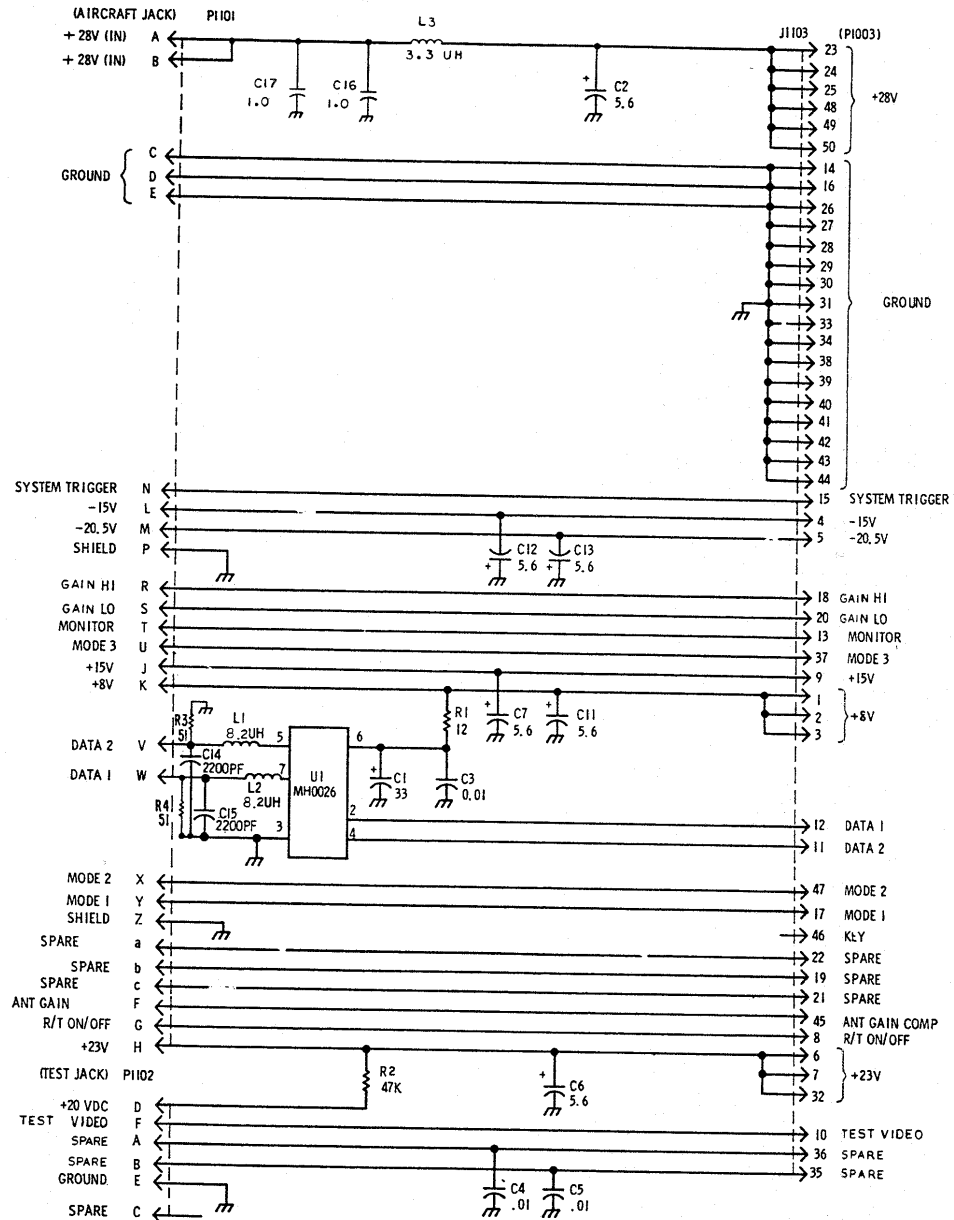
5-10  
May/92

Figure 7 5-10 Front Panel Connector.TIF



**BENDIX/KING**

**MAINTENANCE MANUAL  
RT-1401B RECEIVER-TRANSMITTER**



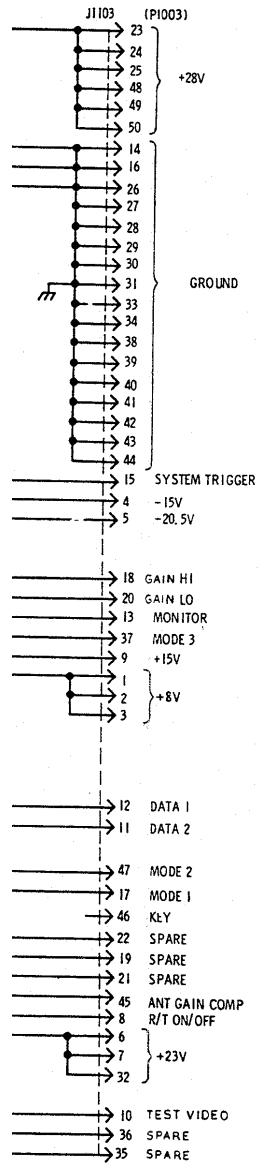
8095771

I.B. 21401B-1

Front Panel Connector Board, Schematic Diagram  
Figure 5-2

5-11/5-12  
Jan/91

**Figure 8 5-11 Front Panel Connector.TIF**



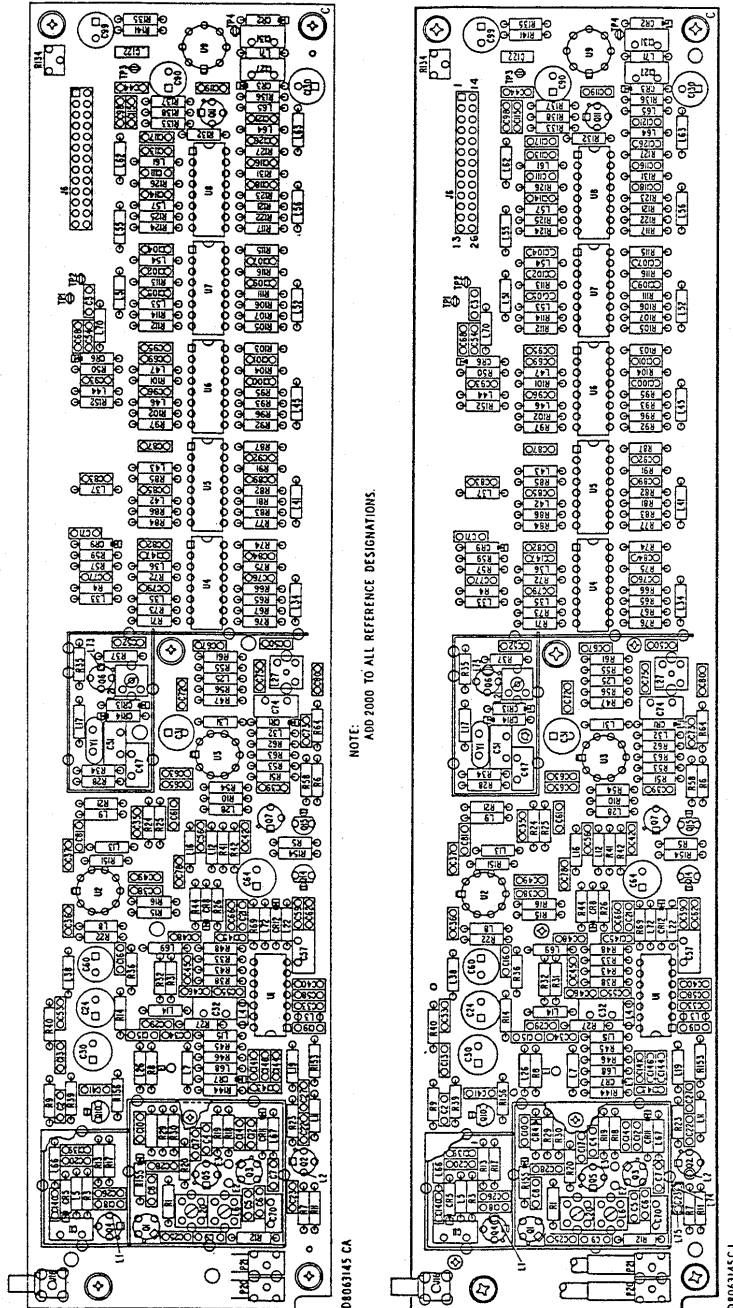
NOTES:

- EXCEPT FOR PLUGS AND JACKS, ADD 1100 TO ALL REFERENCE DESIGNATIONS.
- UNLESS OTHERWISE STATED, ALL RESISTANCE IN OHMS, 1/4W, AND CAPACITANCE IN MICROFARADS.

Figure 9 5-12 Front Panel Connector.TIF

BENDIX/KING

MAINTENANCE MANUAL  
RT-1401B RECEIVER-TRANSMITTER



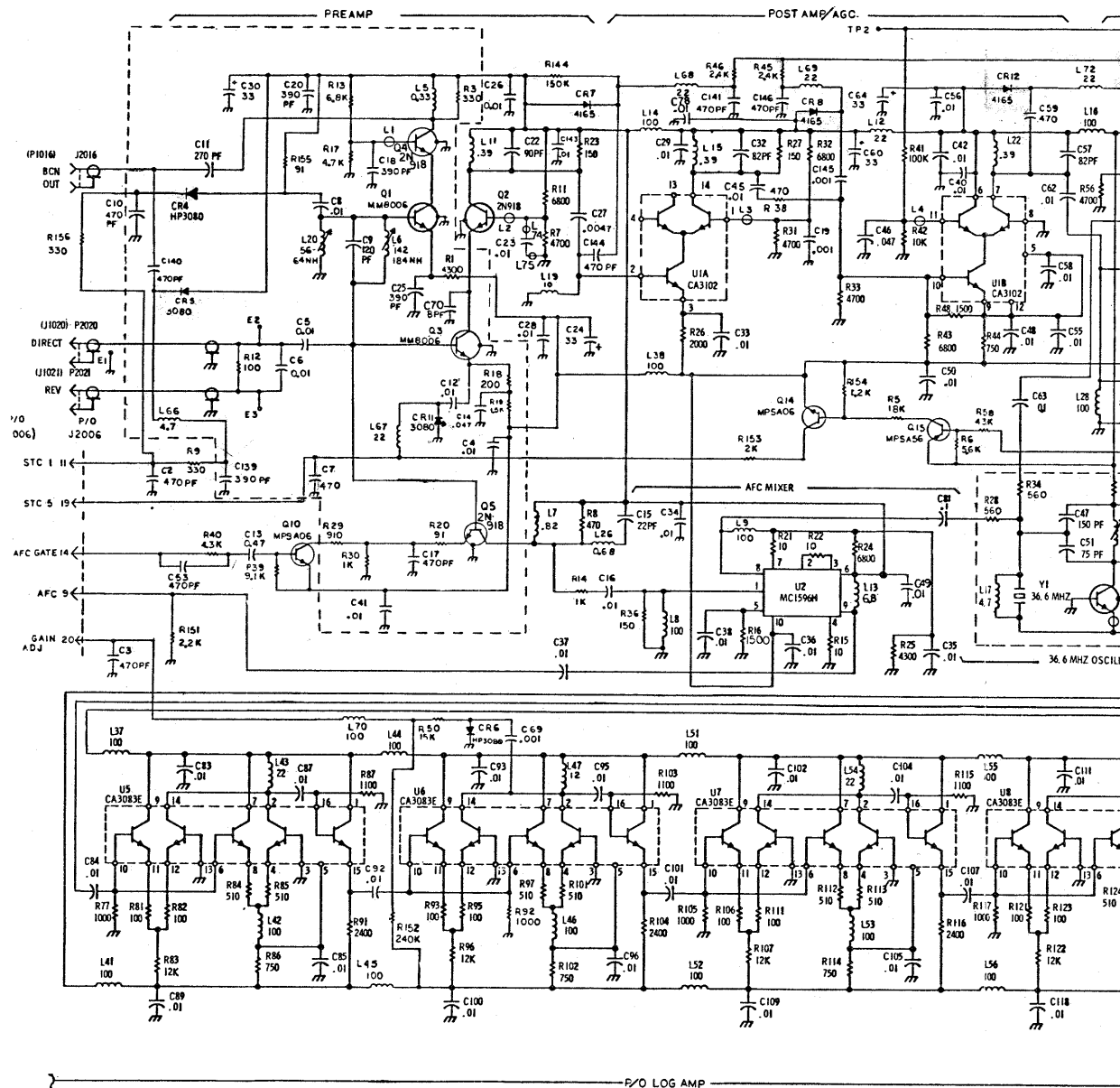
I.B. 21401B-1

Receiver Board 3606458-0501

5-14  
May/92

Figure 10 5-14 Receiver Board.TIF

**BENDIX/KING**  
**MAINTENANCE MANUAL**  
**RT-1401B RECEIVER-TRANSMITTER**



8095737 C

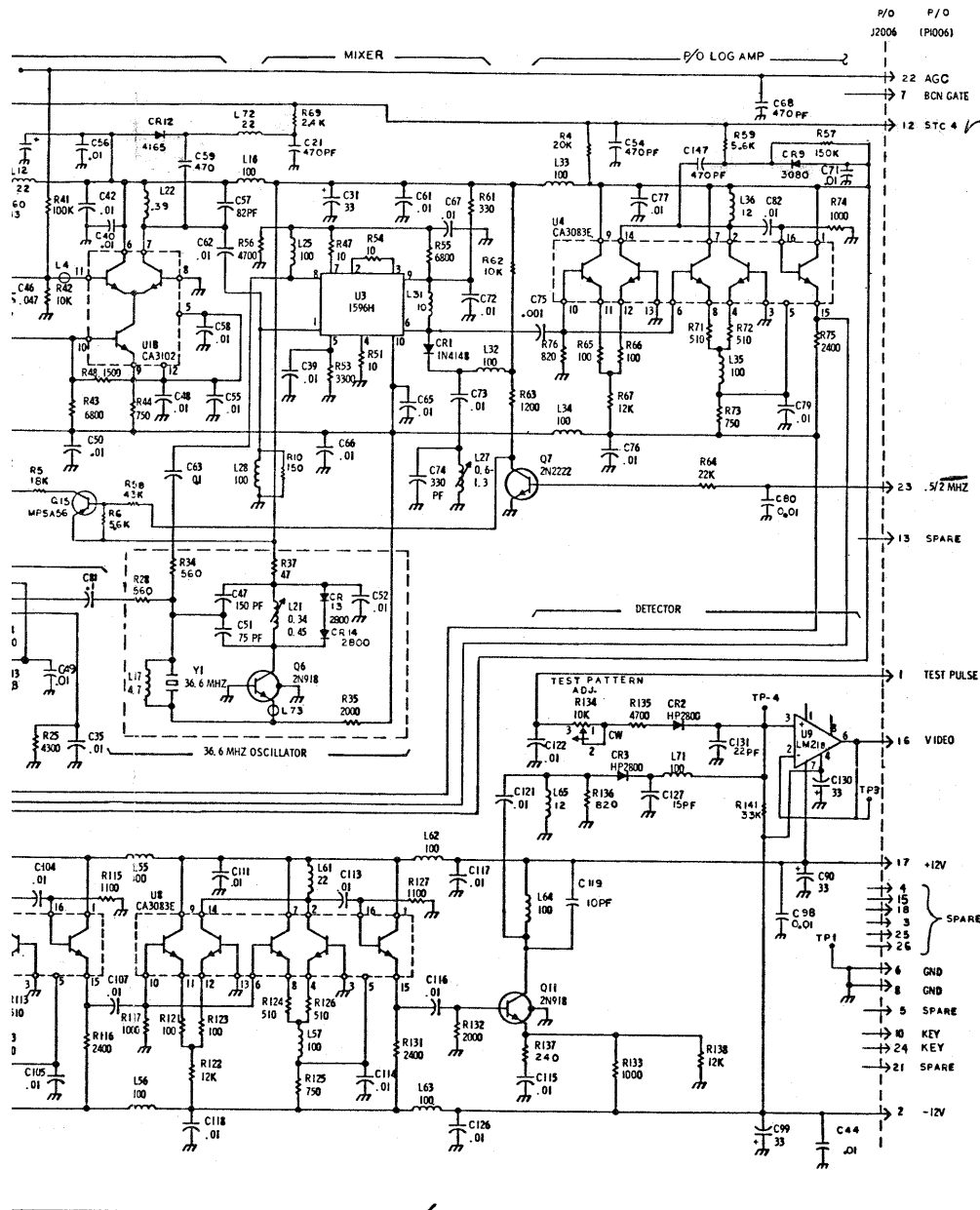
2000

Receiver Board, Schematic Diagram  
 Figure 5-3

L.B. 21401B-1

5-15/5-16  
 May/92

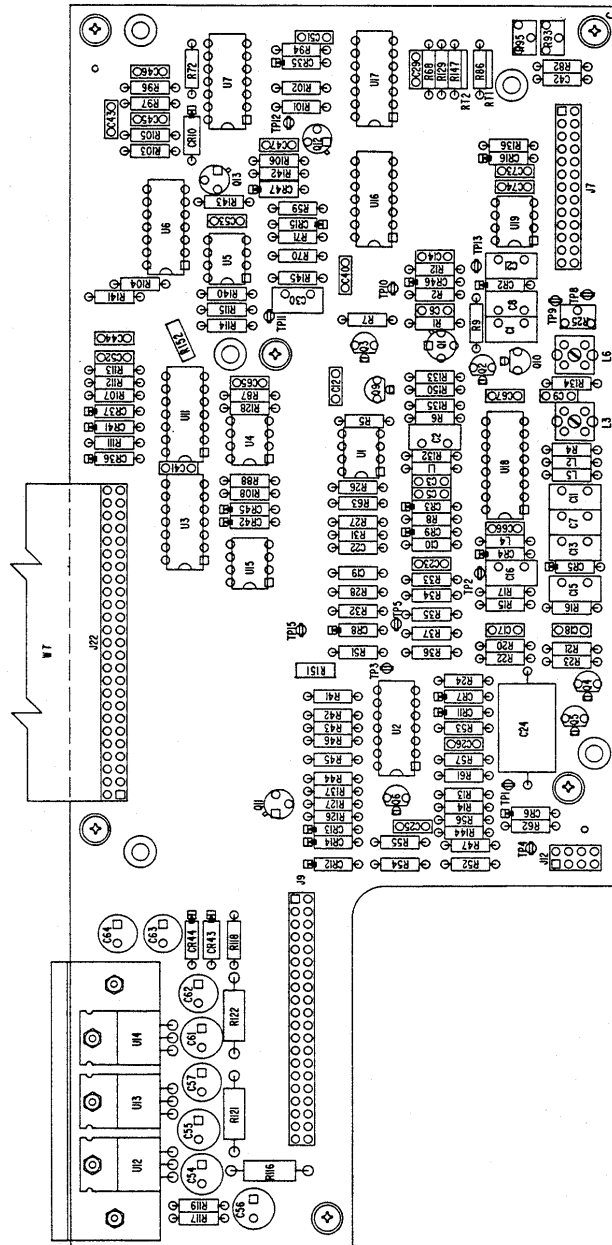
**Figure 11 5-15 Receiver Board.TIF**



NOTES:  
 1. ALL RESISTORS IN OHMS, CAPACITORS IN MICROFARADS AND INDUCTORS IN MICRONHENRIES UNLESS OTHERWISE STATED.  
 2. EXCEPT FOR PLUGS AND JACKS ADD 2000 TO ALL REFERENCE DESIGNATIONS.  
 3. NEXT CIRCUIT SYMBOL TO BE USED FOR COMPONENT ADDITIONS R137, C118, U10, C16, CR15, L78.

Figure 12 5-16 Receiver Board.TIF

BENDIX/KING  
MAINTENANCE MANUAL  
RT-1401B RECEIVER-TRANSMITTER



NOTE:  
ADD 3000 TO ALL REFERENCE DESIGNATIONS.

C8063141.C0

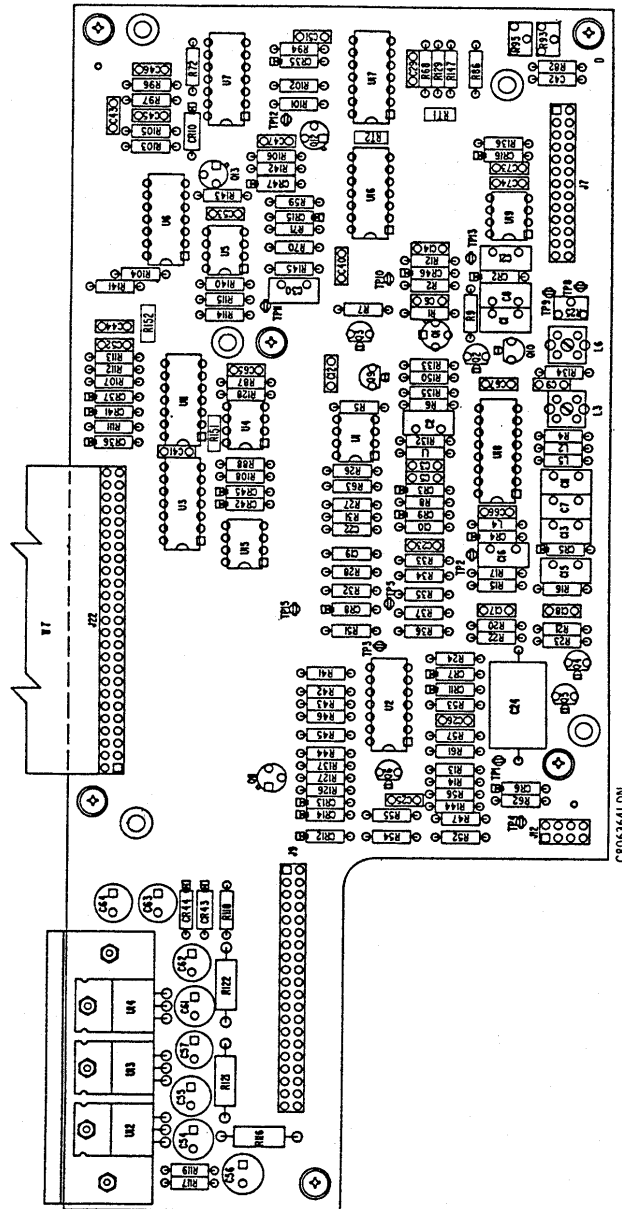
I.B. 21401B-1

Analog/Video Board 3606459-0501

5-18  
Jan/91

Figure 13 5-18 Analog Video.TIF

BENDIX/KING  
MAINTENANCE MANUAL  
RT-1401B RECEIVER-TRANSMITTER



NOTES:  
1. ADD 3000 TO ALL REFERENCE DESIGNATIONS.  
2. (D) HUMISEAL 1B3I.  
3. (H) HUMISEAL THINNER 503.

C80063641 DN

I.B. 21401B-1

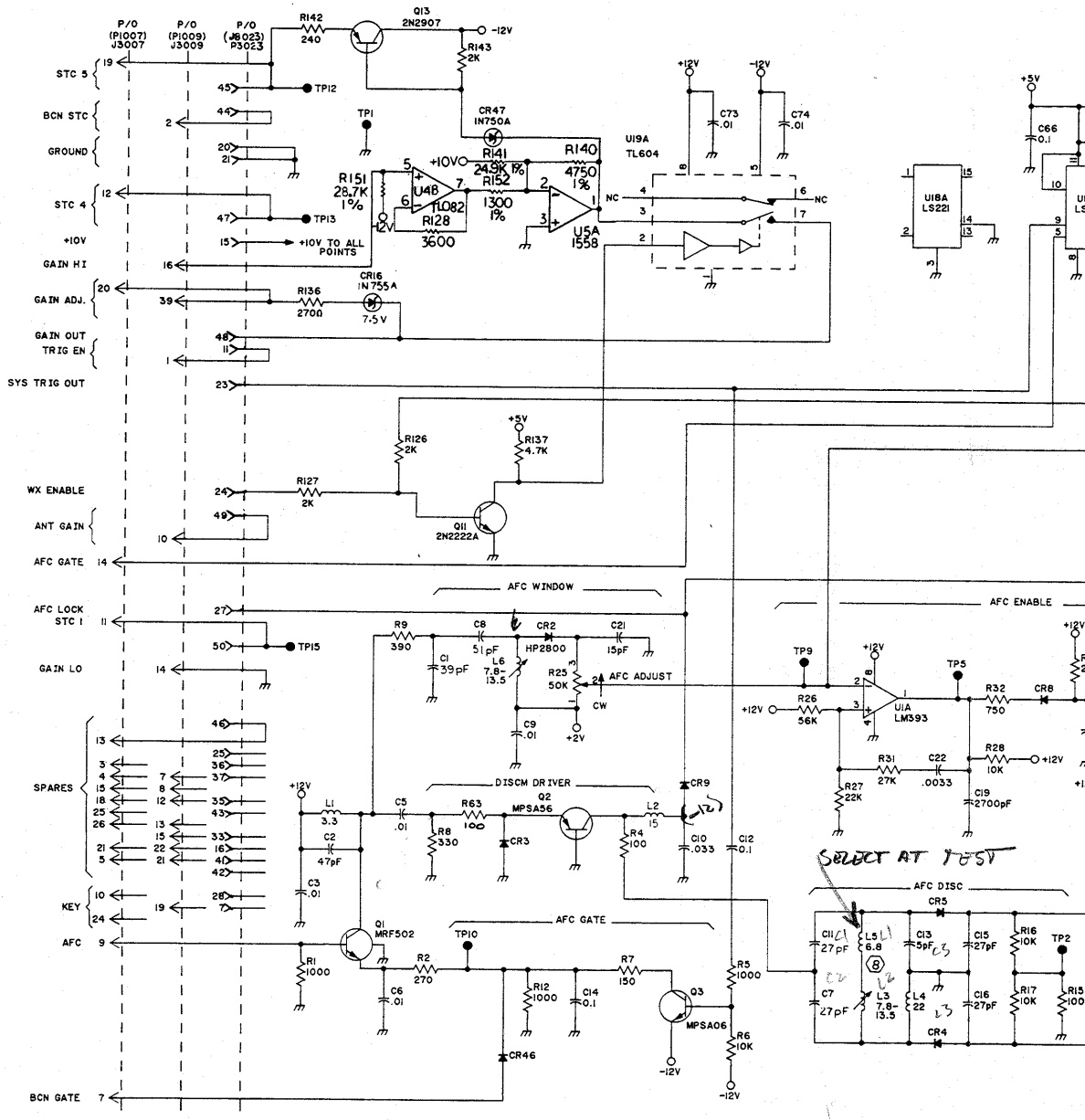
Analog/Video Board 3606459-0501

5-18.1/5-18.2  
May/92

Figure 14 5-18-1 Analog Video.TIF



**BENDIX/KING**  
**MAINTENANCE MANUAL**  
**RT-1401B RECEIVER-TRANSMITTER**



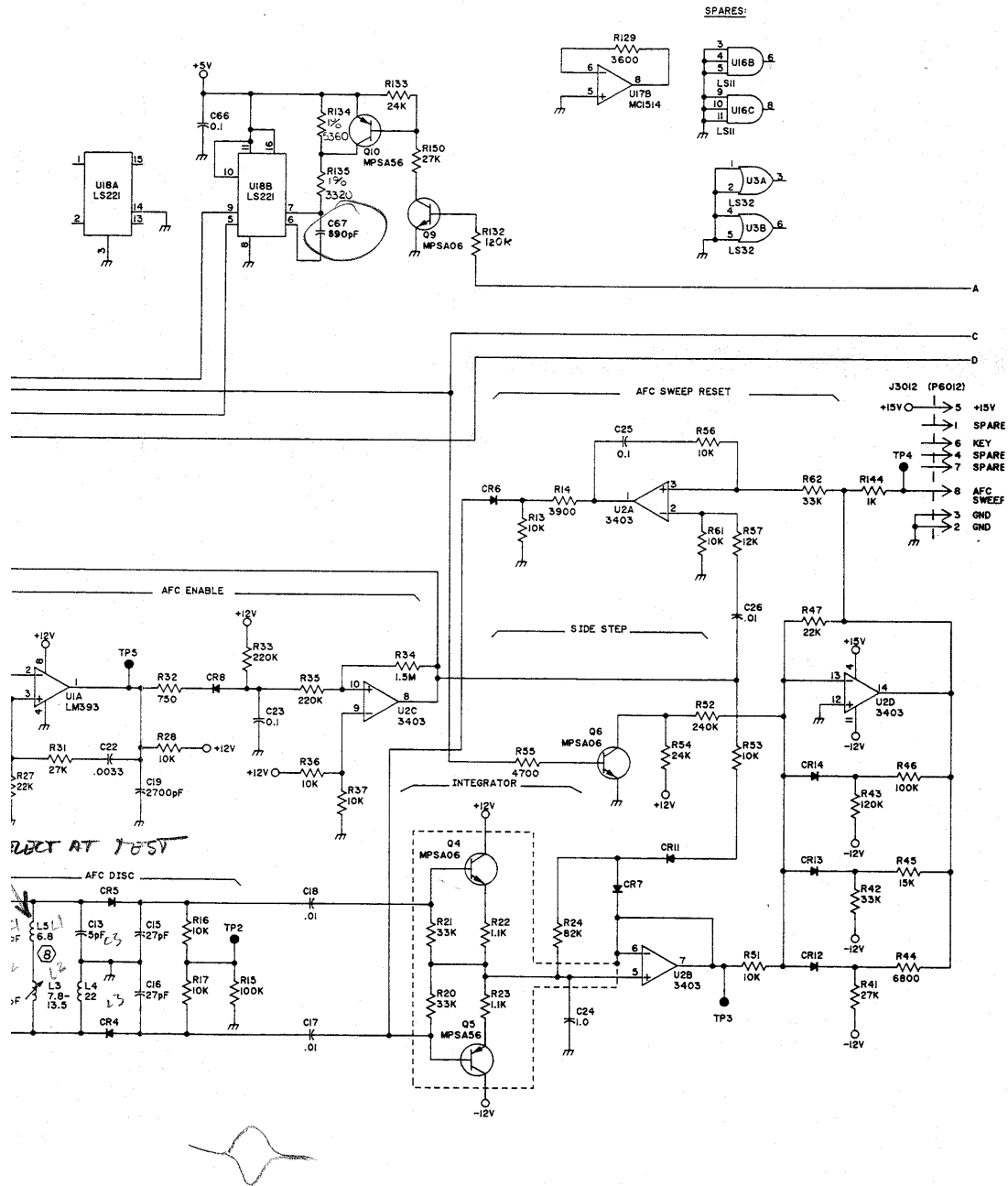
80957386SHT. 1 OF 2

I.B. 21401B-1  
Analog/Video Board, Schematic Diagram  
Figure 5-4 (Sheet 1 of 2)

5-19/5-20  
May/92

**Figure 15 5-19 Analog Video.TIF**

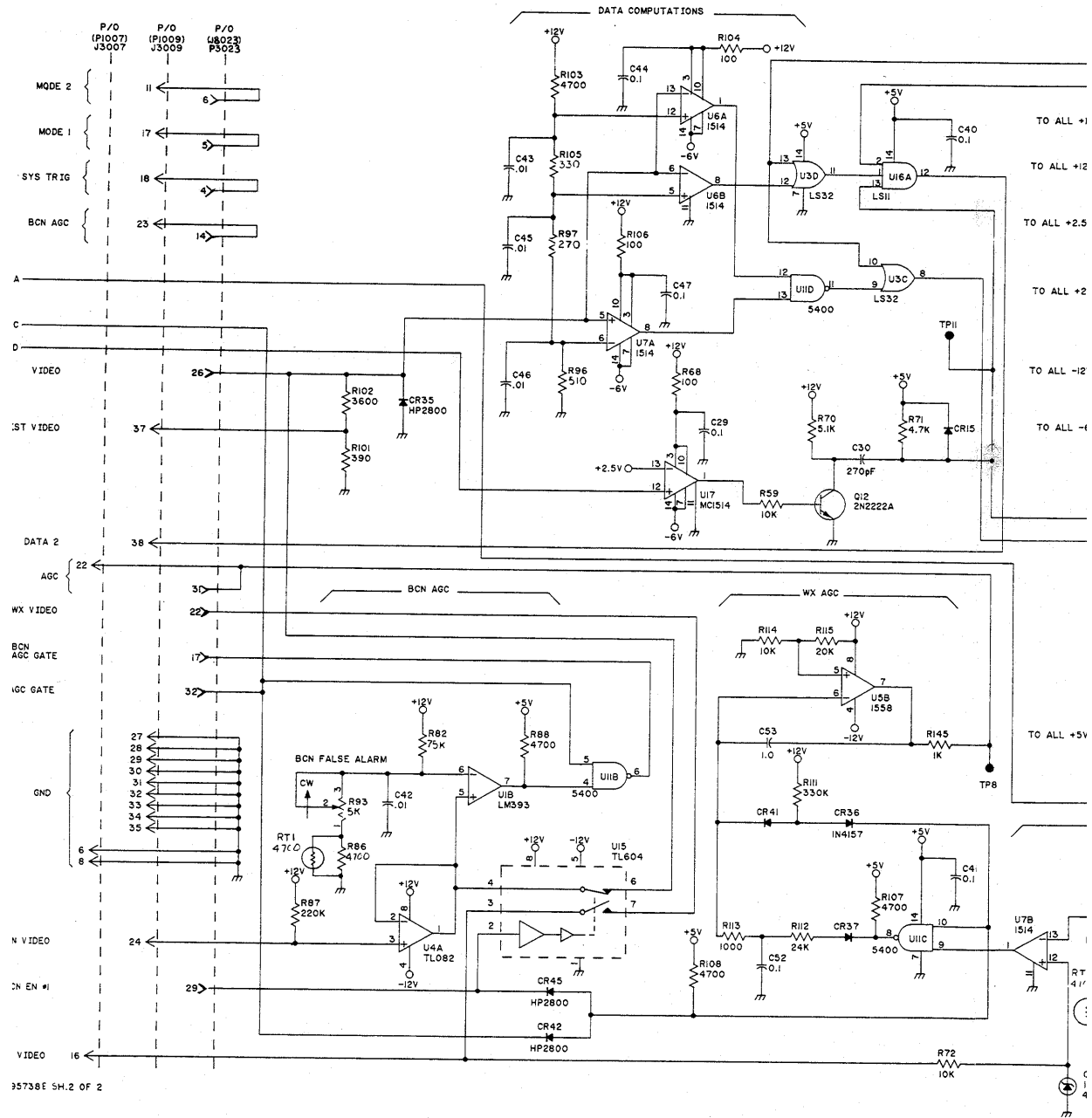




0  
2

Figure 16 5-20 Analog Video.TIF

**BENDIX/KING**  
**MAINTENANCE MANUAL**  
**RT-1401B RECEIVER-TRANSMITTER**



I.B. 21401B-1

Analog/Video Board, Schematic Diagram  
 Figure 5-4 (Sheet 2)

5-21/5-22  
 May/92

**Figure 17 5-21 Analog Video.TIF**

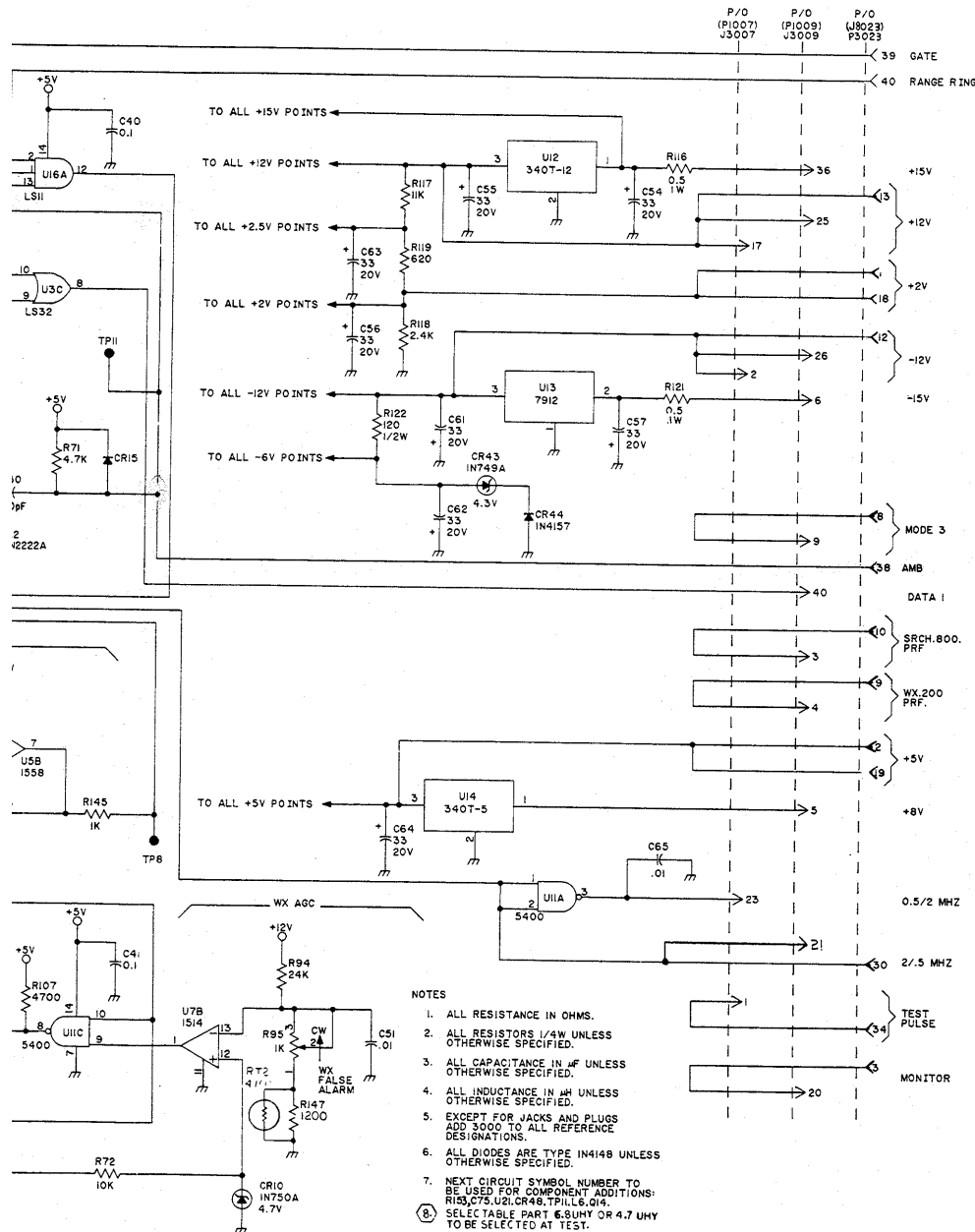
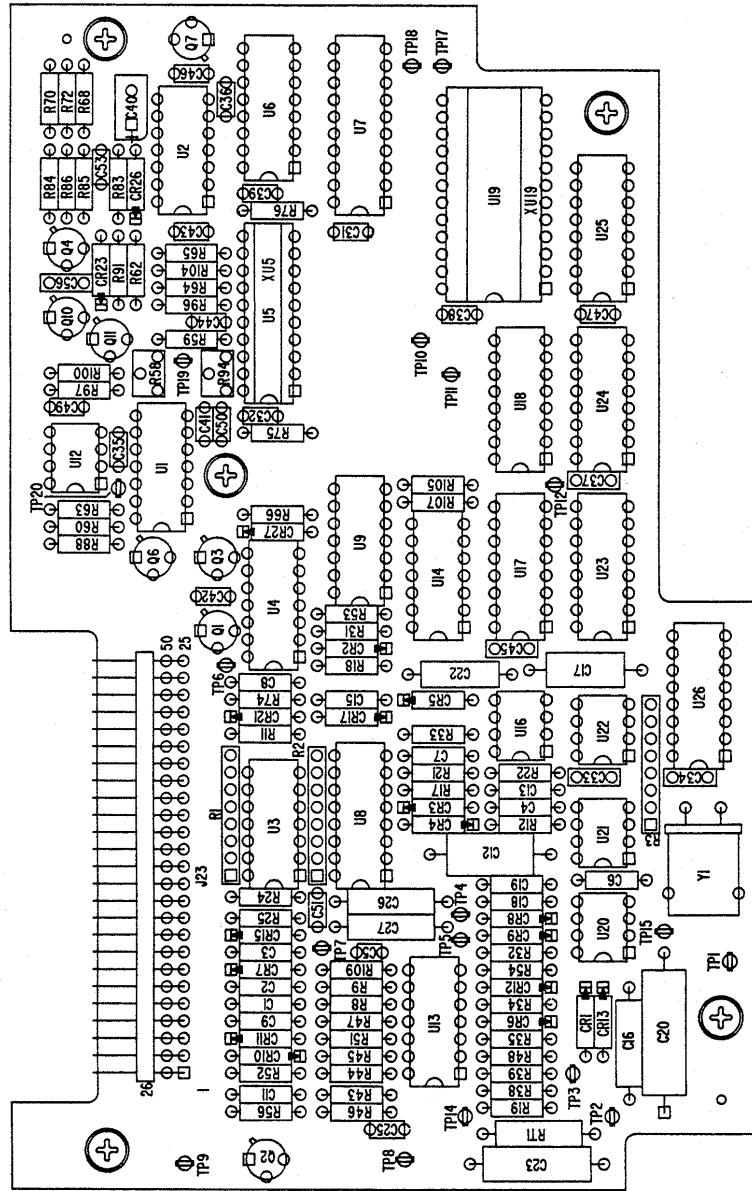


Figure 18 5-22 Analog Video.TIF

BENDIX/KING  
MAINTENANCE MANUAL  
RT-1401B RECEIVER-TRANSMITTER



NOTE:  
ADD 8000 TO ALL REFERENCE DESIGNATIONS.

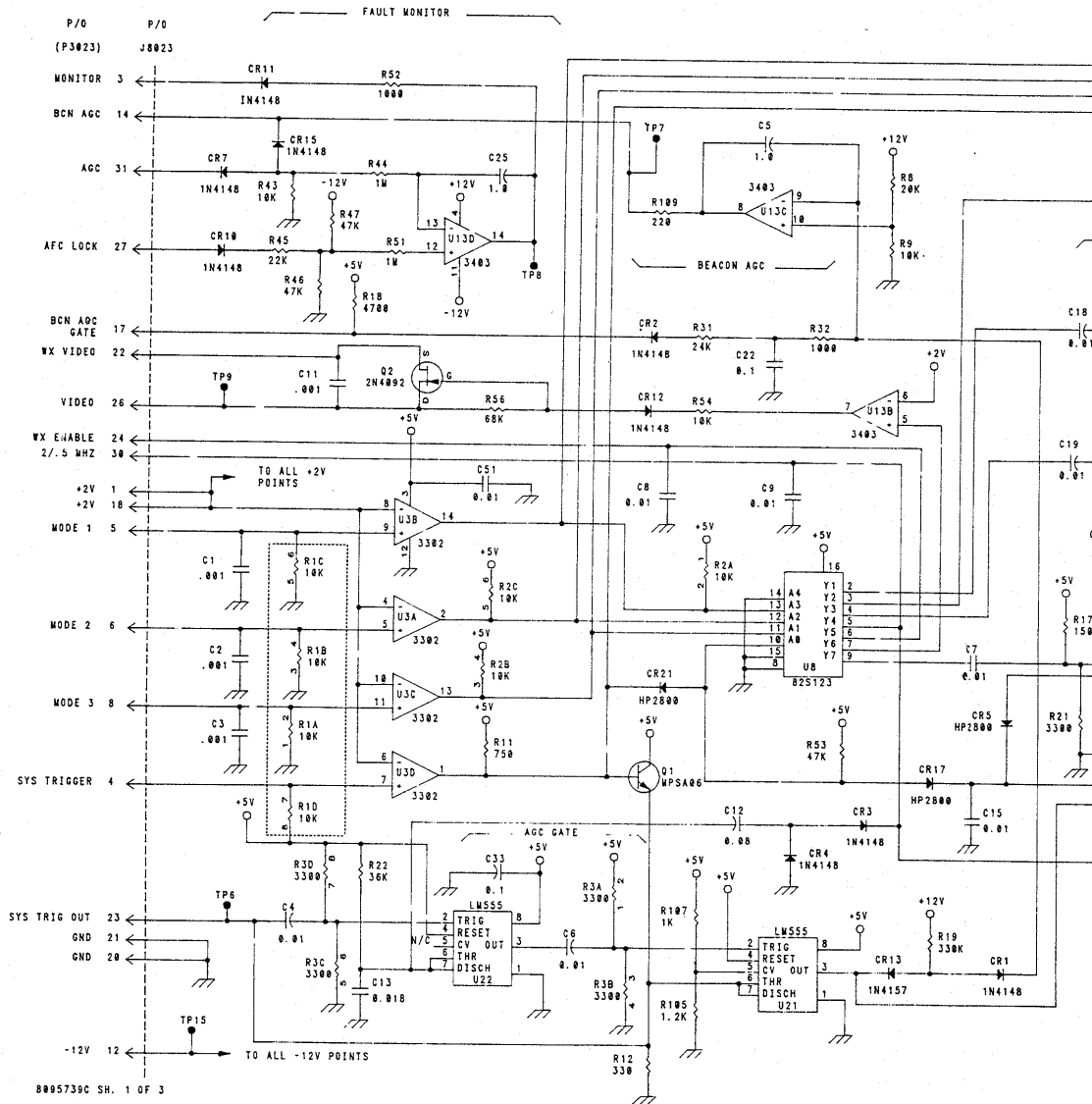
88063143 CB

I.B. 21401B-1  
Mode-Decode Board 3606460-0501  
5-24  
Jan/91

Figure 19 5-24 Mode Decode.TIF

**BENDIX/KING**

**MAINTENANCE MANUAL  
RT-1401B RECEIVER-TRANSMITTER**



8895739C SH. 1 OF 3

I.B. 21401B-1

Mode-Decode Board, Schematic Diagram  
Figure 5-5 (Sheet 1 of 3)

5-25/5-26  
Jan/91

**Figure 20 5-25 Mode Decode.TIF**

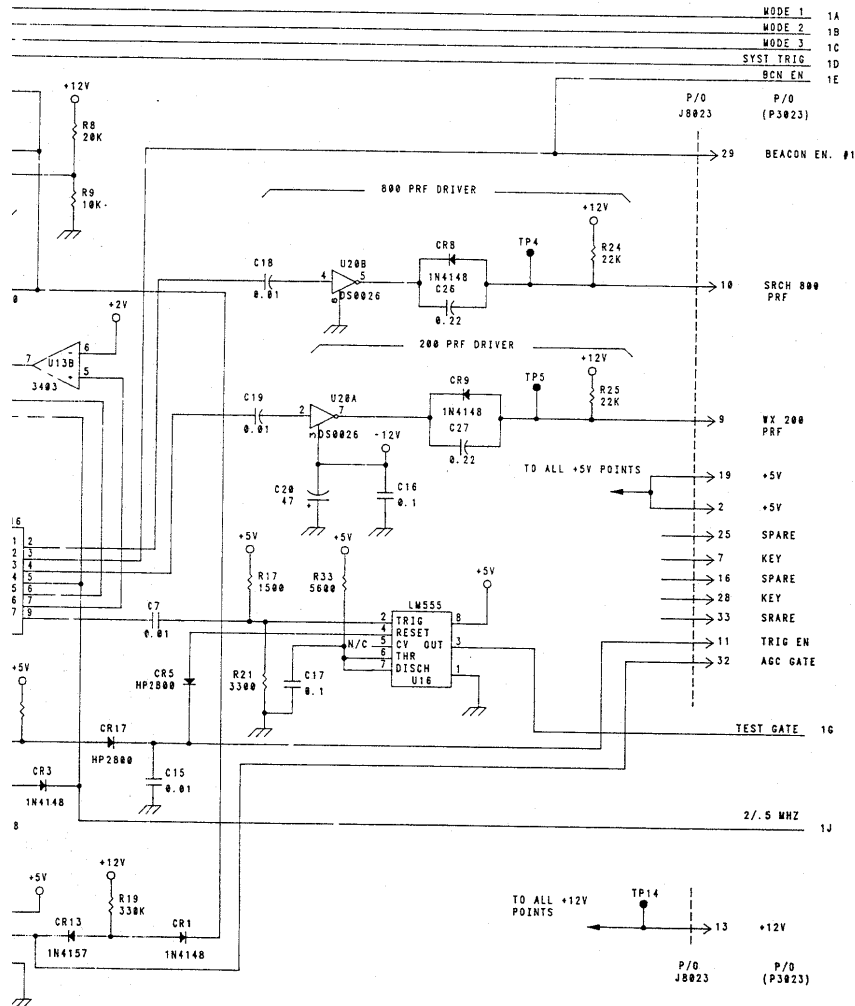
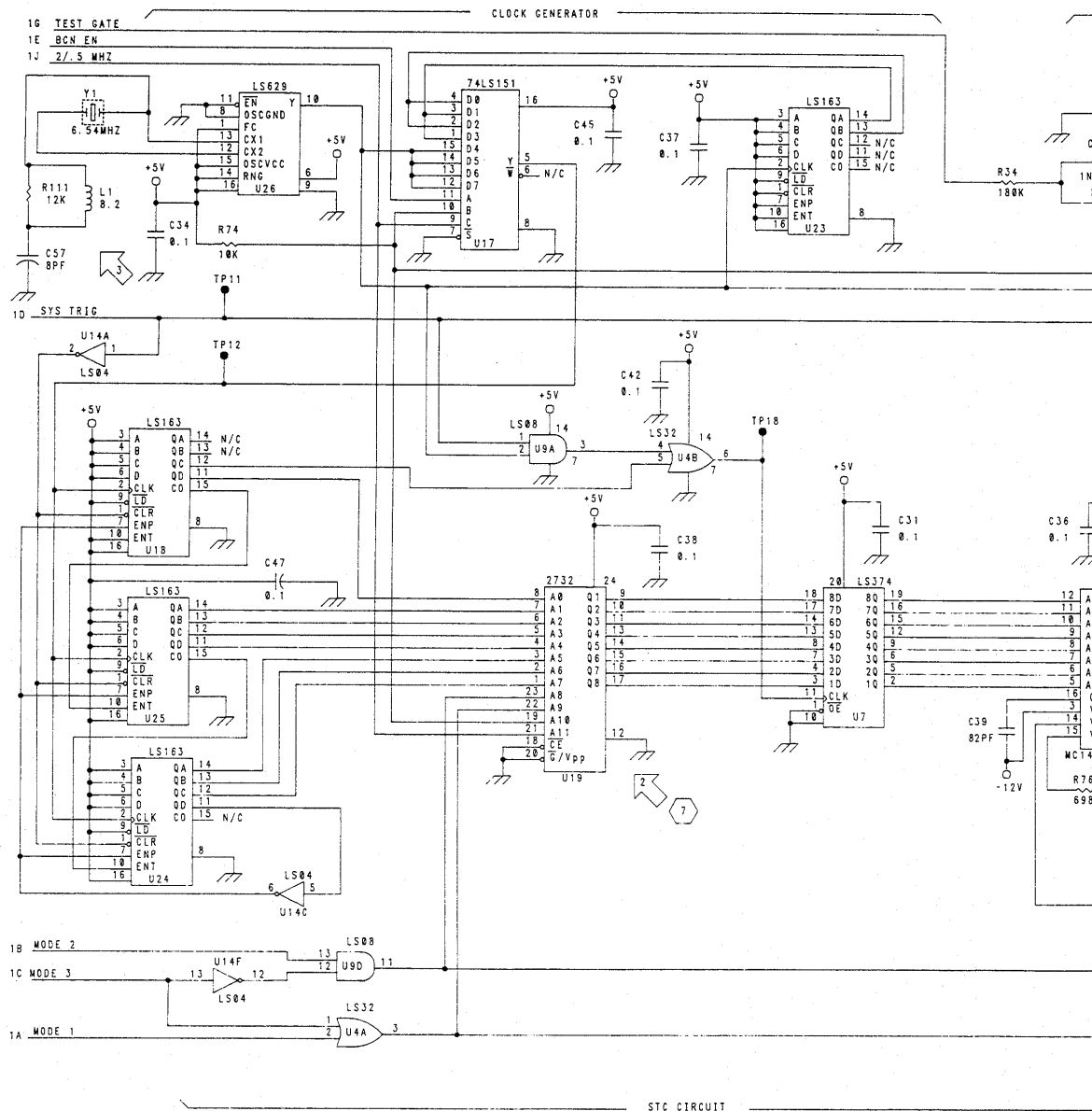


Figure 21 5-26 Mode Decode.TIF

**BENDIX/KING**  
**MAINTENANCE MANUAL**  
**RT-1401B RECEIVER-TRANSMITTER**



8095739E SH. 2 OF 3

I.B. 21401B-1 Mode-Decode Board, Schematic Diagram  
 Figure 5-5 (Sheet 2)

5-27/5-28  
 May/92

**Figure 22 5-27 Mode Decode.TIF**

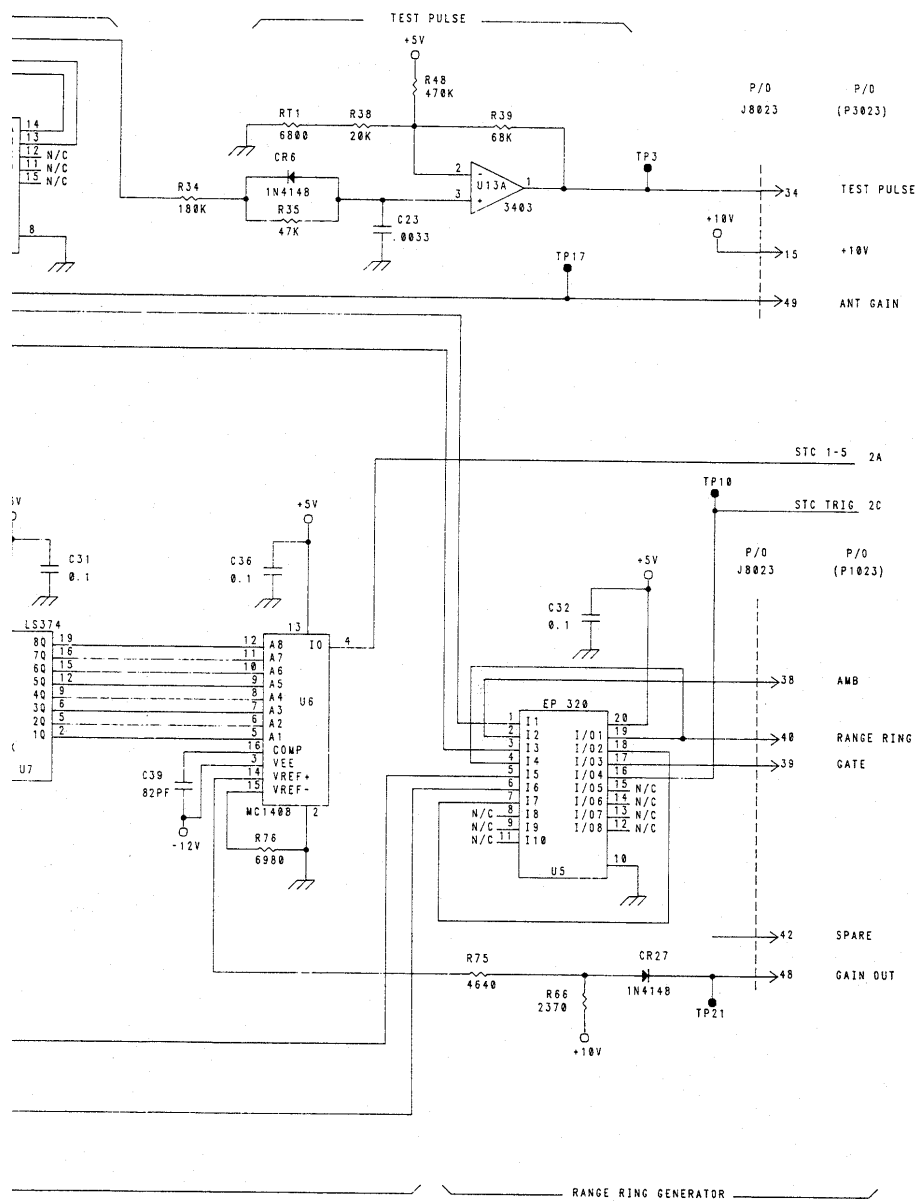
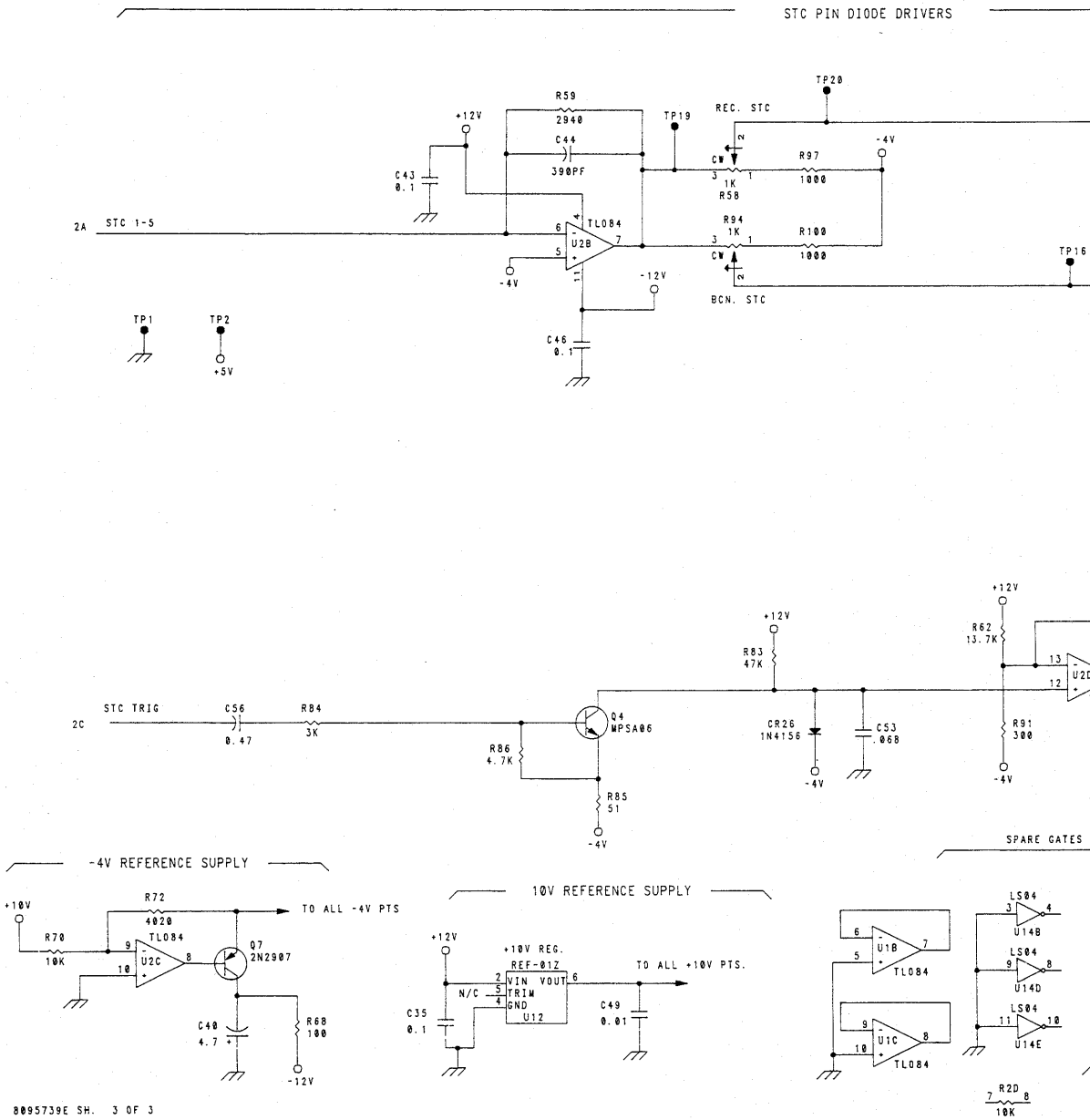


Figure 23 5-28 Mode Decode.TIF



**BENDIX/KING**  
**MAINTENANCE MANUAL**  
**RT-1401B RECEIVER-TRANSMITTER**



I.B. 21401B-1

Mode-Decode Board, Schematic Diagram  
Figure 5-5 (Sheet 3)

5-29/5-30  
May/92

**Figure 24 5-29 Mode Decode.TIF**

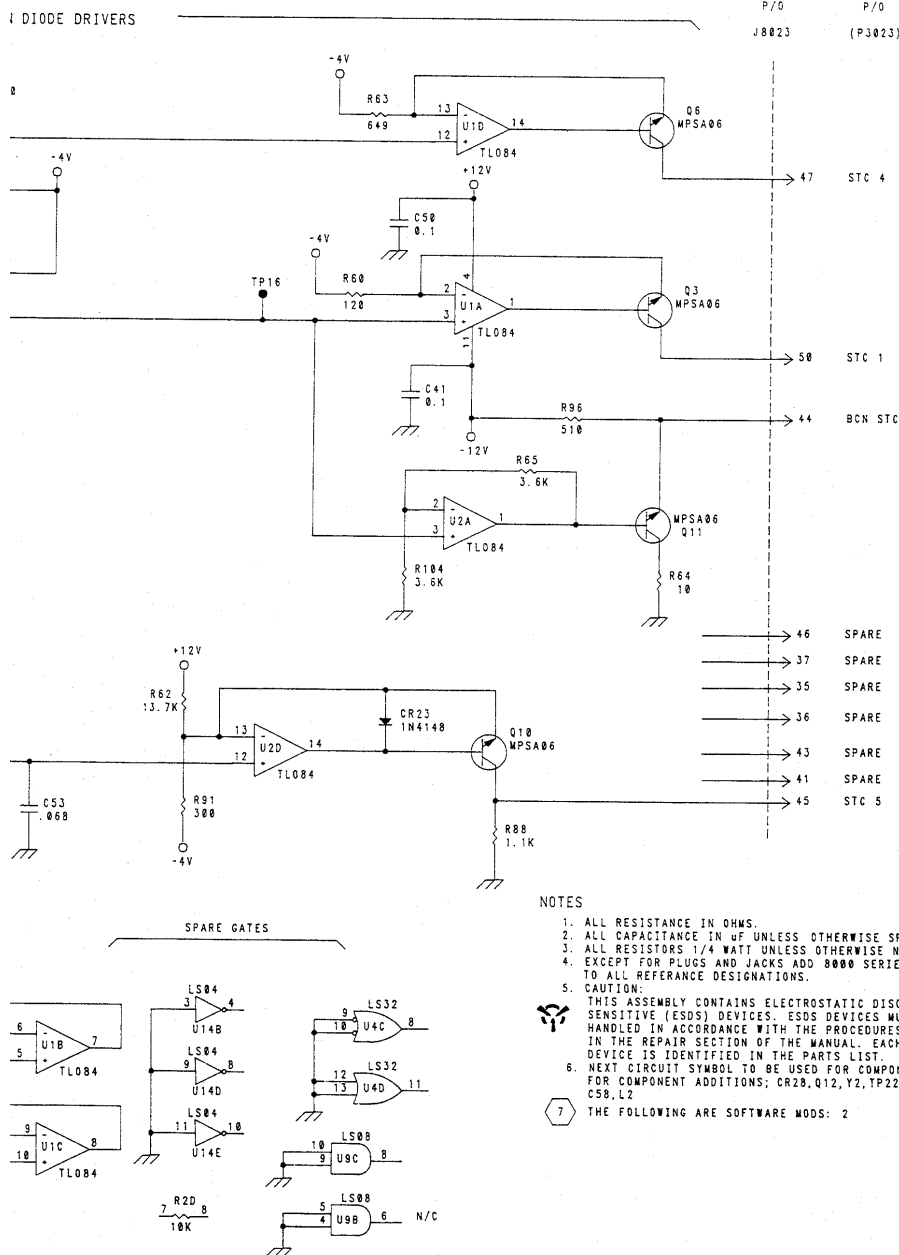
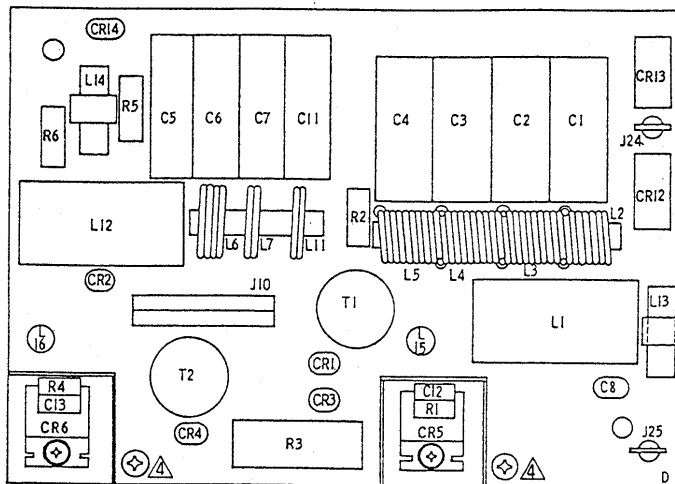


Figure 25 5-30 Mode Decode.TIF

BENDIX/KING  
MAINTENANCE MANUAL  
RT-1401B RECEIVER-TRANSMITTER



B8063140 DV

NOTES:

1. ADD 4000 TO ALL REFERENCE DESIGNATIONS.
2. (1) HUMISEAL IB31.
3. (2) HUMISEAL THINNER 503.
4. (3) LOCTITE 222.

I.B. 21401B-1

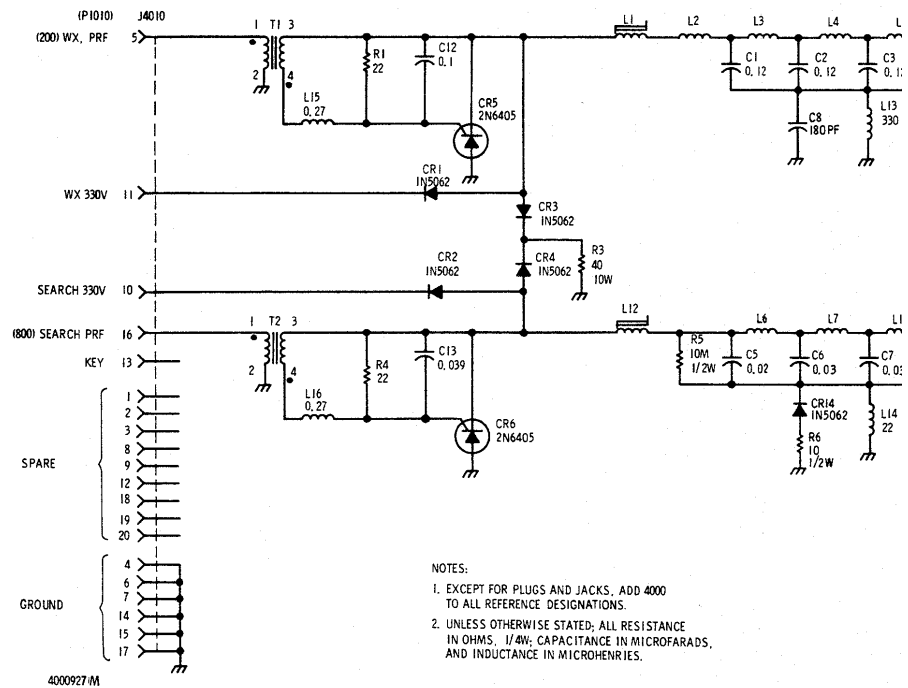
Modulator Board 4007720-0501

5-32  
May/92

Figure 26 5-32 Modulator.TIF

**BENDIX/KING**

**MAINTENANCE MANUAL  
RT-1401B RECEIVER-TRANSMITTER**

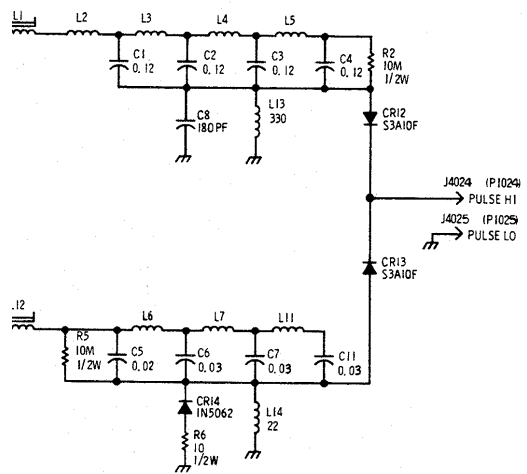


I.B. 21401B-1

Modulator Board, Schematic Diagram  
Figure 5-6

5-33/5-34  
May/92

**Figure 27 5-33 Modulator.TIF**

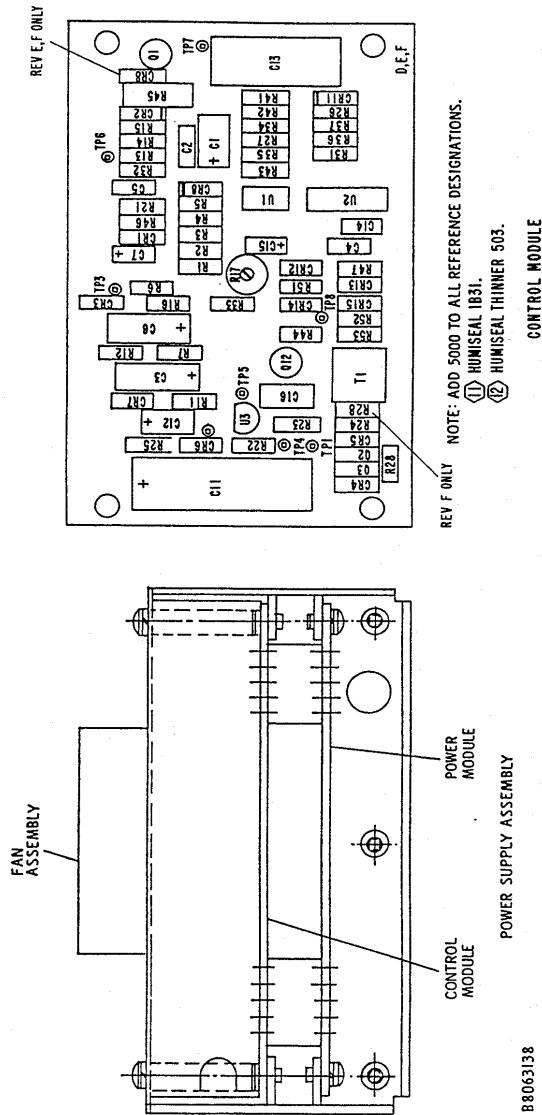


DD 4000

RESISTANCE  
MICROFARADS.  
ES.

Figure 28 5-34 Modulator.TIF

BENDIX/KING  
MAINTENANCE MANUAL  
RT-1401B RECEIVER-TRANSMITTER



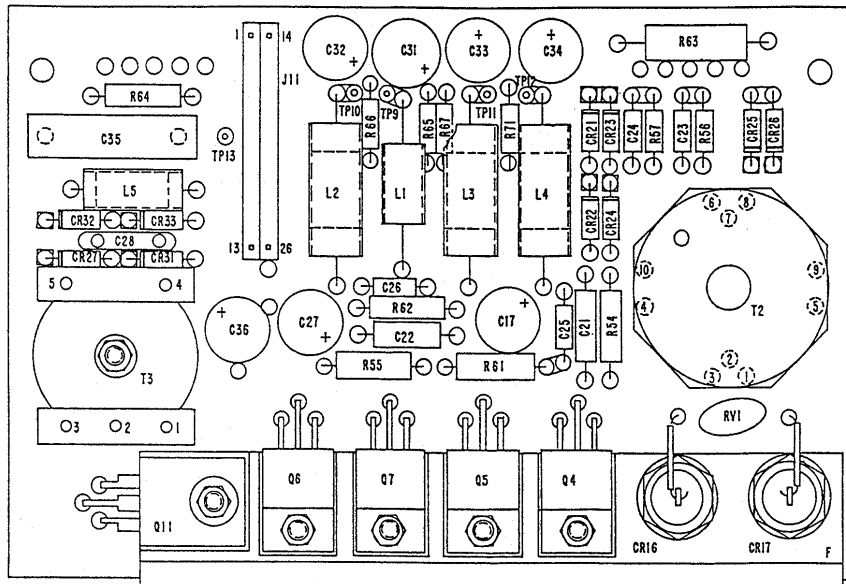
I.B. 21401B-1

Power Supply Assembly 4007721-0504

5-37  
May/92

Figure 29 5-37 Power Supply.TIF

BENDIX/KING  
MAINTENANCE MANUAL  
RT-1401B RECEIVER-TRANSMITTER



B8063138 FW

NOTES:

1. ADD 5000 TO ALL REFERENCE DESIGNATIONS.
2. (1) HUMISEAL 1B31.
3. (2) HUMISEAL THINNER 503.

POWER MODULE

I.B. 21401B-1

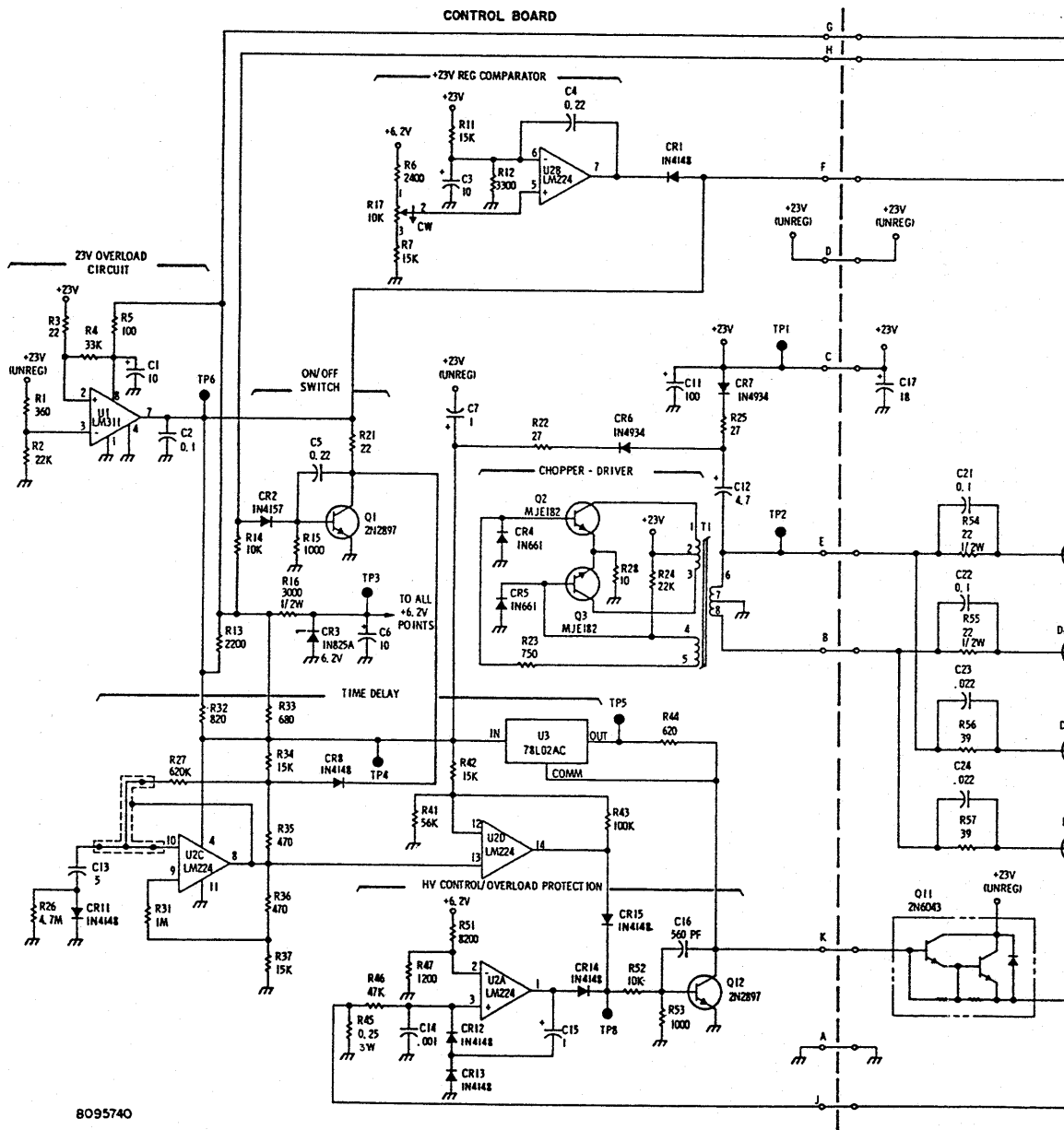
Power Supply Assembly 4007721-0504

5-38  
May/92

Figure 30 5-38 Power Supply.TIF

**BENDIX/KING**

MAINTENANCE MANUAL  
RT-1401B RECEIVER-TRANSMITTER



8095740

I.B. 214018-1

Power Supply Assembly, Schematic Diagram  
Figure 5-7

5-39/5-40  
May/92

Figure 31 5-39 Power Supply.TIF



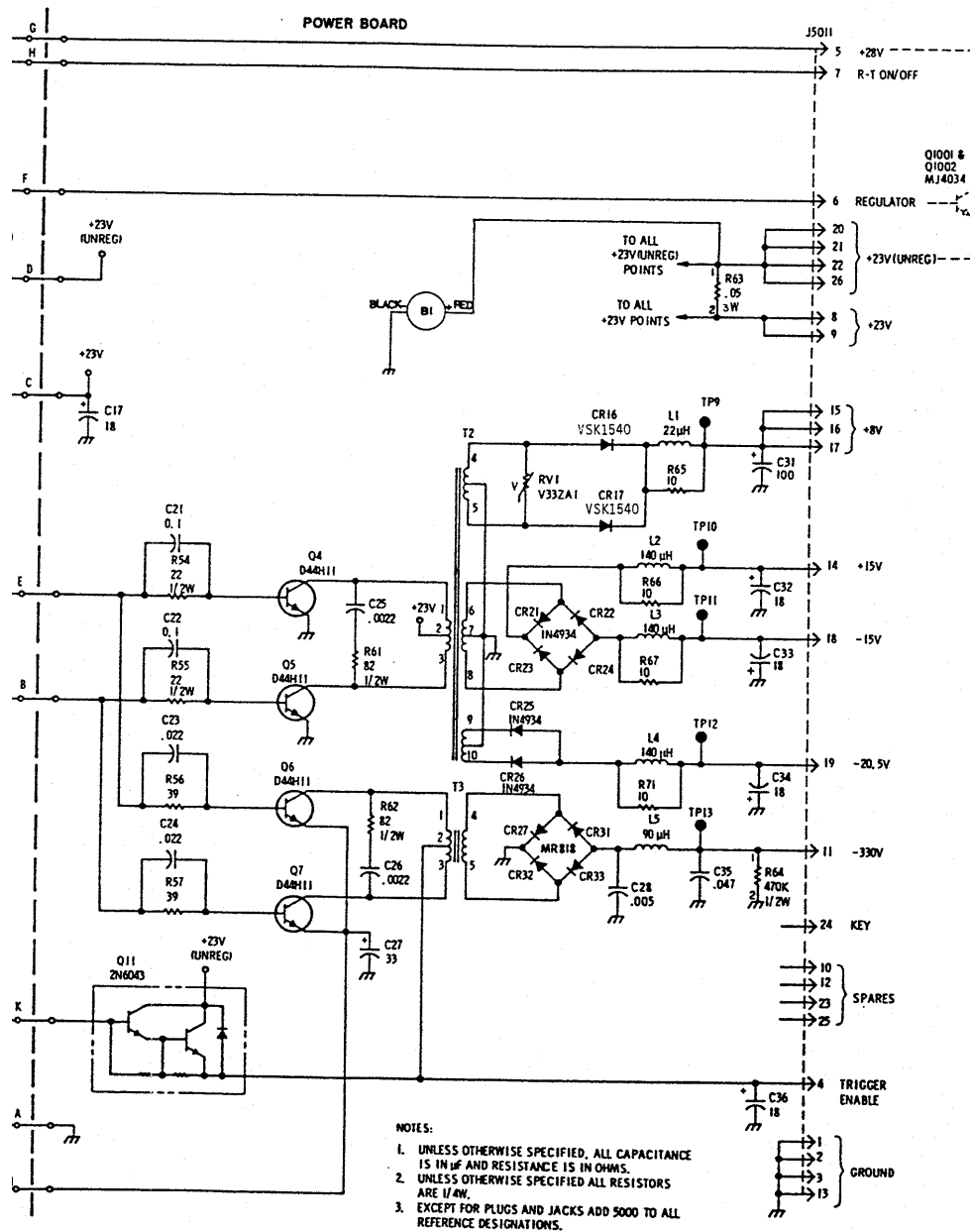
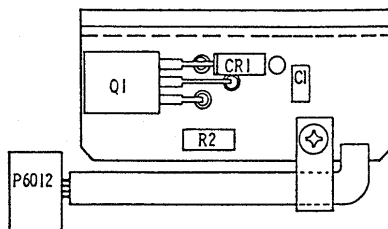
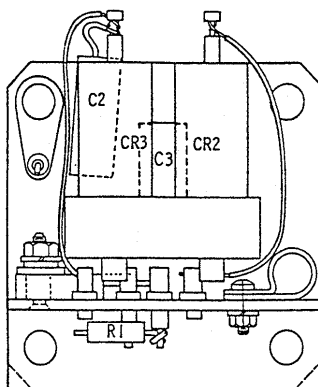


Figure 32 5-40 Power Supply.TIF

BENDIX/KING  
MAINTENANCE MANUAL  
RT-1401B RECEIVER-TRANSMITTER



A8063142P

NOTE:

1. ADD 6000 TO ALL REFERENCE DESIGNATIONS.

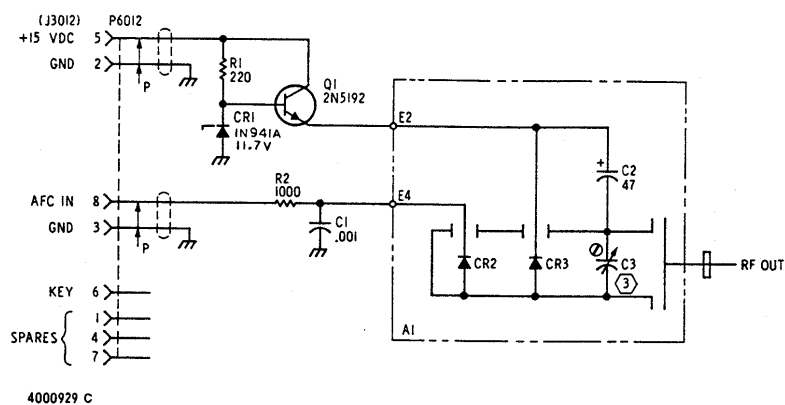
I.B. 21401B-1

Local Oscillator Assembly 4007932-0501

5-42  
May/92

Figure 33 5-42 Local Oscillator.TIF

BENDIX/KING  
MAINTENANCE MANUAL  
RT-1401B RECEIVER-TRANSMITTER



NOTES:

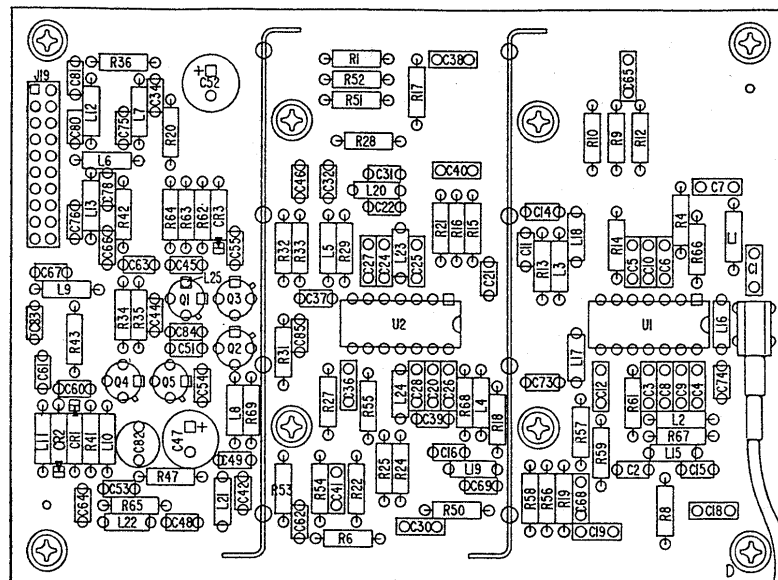
1. ALL RESISTANCE IN OHMS. CAPACITANCE IN MICROFARADS.
2. EXCEPT FOR PLUGS AND JACKS, ADD 6000 TO ALL REFERENCE DESIGNATIONS.
- ③ C3 IS A FREQUENCY ADJUST TUNING SCREW.

I.B. 21401B-1 Local Oscillator Assembly, Schematic Diagram  
Figure 5-8

5-43/5-44  
Jan/91

Figure 34 5-43 Local Oscillator.TIF

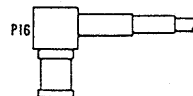
**BENDIX/KING**  
**MAINTENANCE MANUAL**  
**RT-1401B RECEIVER-TRANSMITTER**



B803144 DE

**NOTES:**

1. ADD 7000 TO ALL REFERENCE DESIGNATIONS.
2. (TT) HUMISEAL 1B31.
3. (T) HUMISEAL THINNER 503.



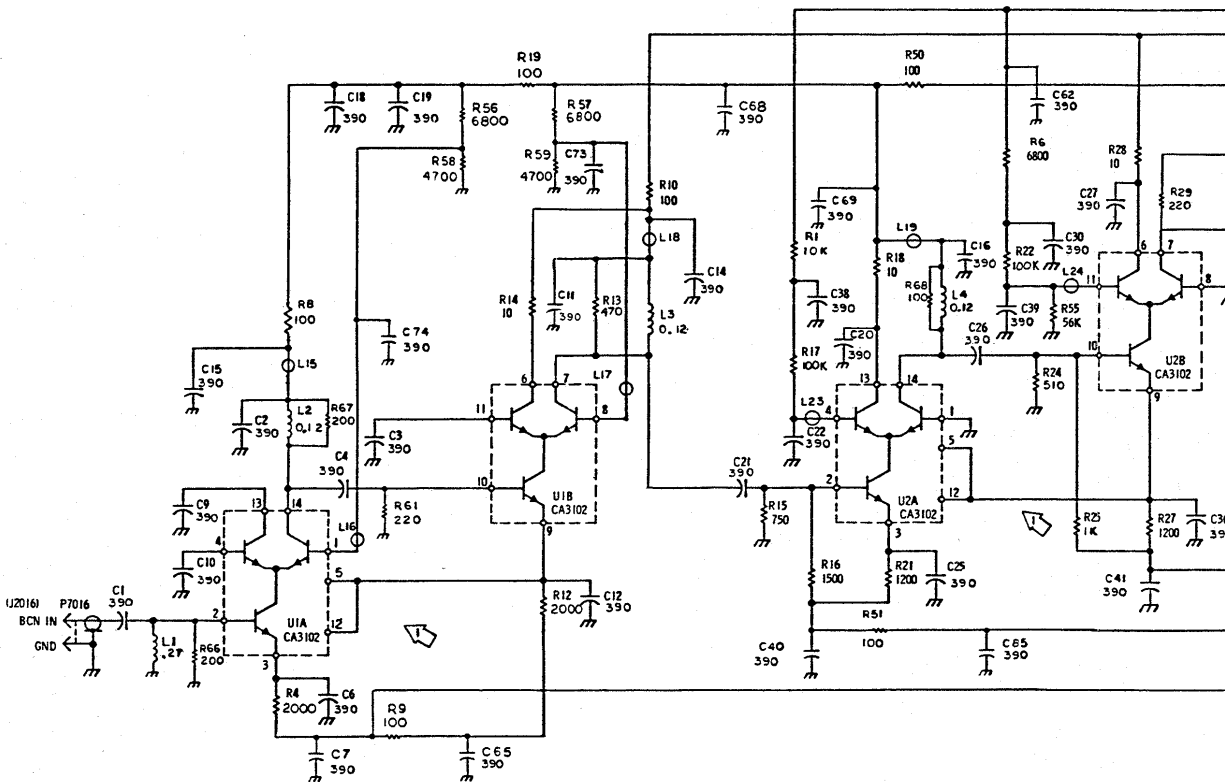
I.B. 21401B-1

Beacon Amplifier Board 3606457-0501

5-46  
 May/92

**Figure 35 5-46 Beacon Amplifier.TIF**

**BENDIX/KING**  
**MAINTENANCE MANUAL**  
**RT-1401B RECEIVER-TRANSMITTER**



**NOTES:**

1. ALL RESISTORS IN OHMS, CAPACITORS IN PICOFARADS AND INDUCTORS IN MICRO-HENRIES UNLESS NOTED. ALL RESISTORS 1/4W UNLESS NOTED.
2. EXCEPT FOR PLUGS AND JACKS ADD 7000 TO ALL CIRCUIT SYMBOLS.
3. NEXT CIRCUIT SYMBOL TO BE USED FOR COMPONENT ADDITIONS: R70, CR-4, L26 U4, C86

8095736B

I.B. 21401B-1

Beacon Amplifier Board, Schematic Diagram  
 Figure 5-9

5-47/5-48  
 May/92

**Figure 36 5-47 Beacon Amplifier.TIF**

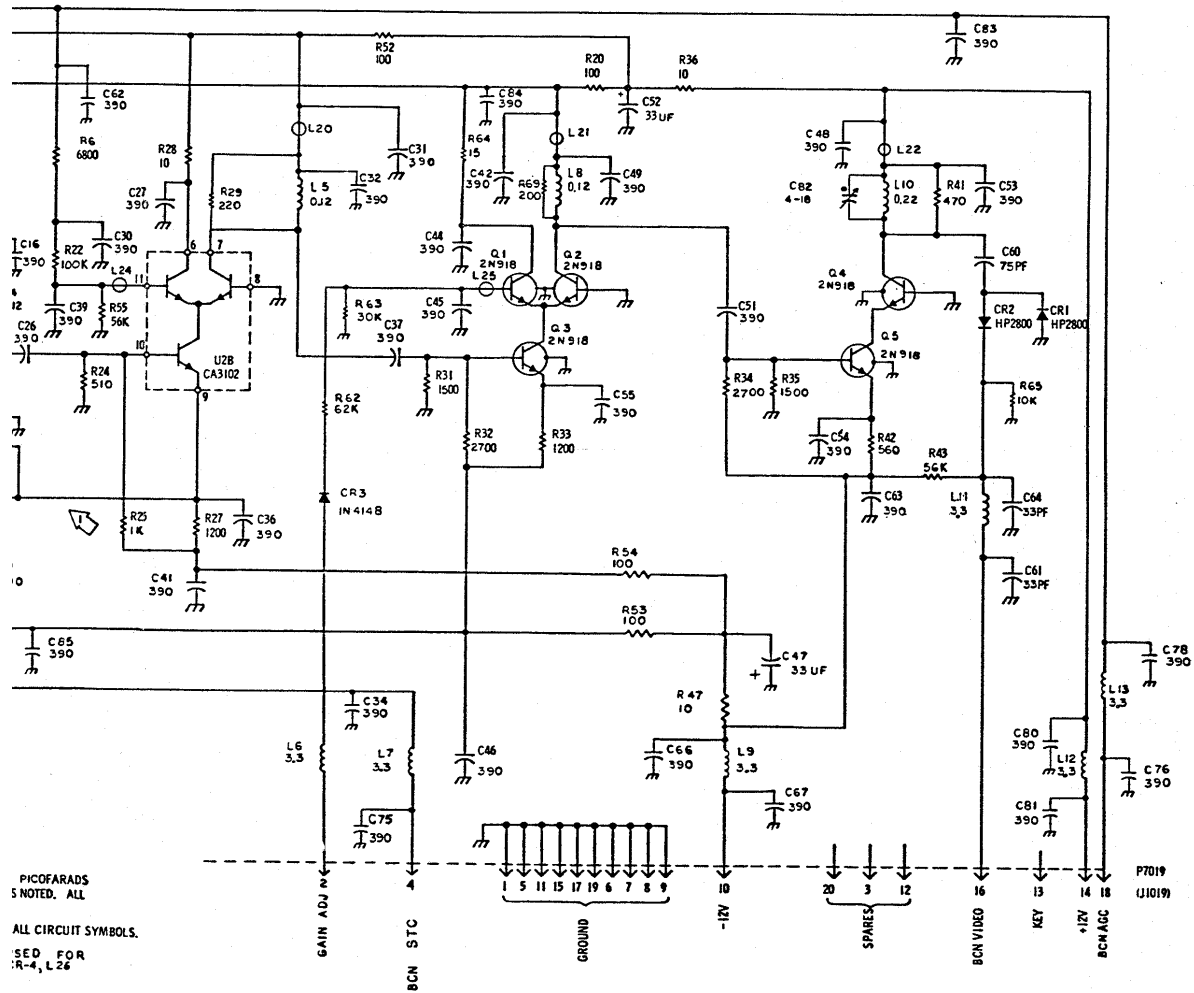


Figure 37 5-48 Beacon Amplifier.TIF