



---

815 Broad Hollow Rd., Farmingdale, New York 11735

(631) 755-7625 Fax: (631) 755-7046

This word document contains figures representing the parts list for the Receiver Transmitter RT-1401B. These figures are scanned images from section IV of the maintenance manual part number 006-05342-0002, Revision 2 dated June 1994. It should be noted that those pages "Intentionally Left Blank" were not scanned and are therefore not included here.



BENDIX/KING

MAINTENANCE MANUAL  
RT-1401B RECEIVER-TRANSMITTER

SECTION IV PARTS LIST

1. General

This Parts List is a list of assemblies and parts for the above equipment manufactured by the Bendix/King General Aviation Avionics Division.

Periodically the Parts List is revised to cover additions, deletions, or changes to the equipment.

2. Parts List

The Parts List consists of a breakdown of the unit into assemblies and detailed parts.

A. REFERENCE DESIGNATION Column and FIGURE/ITEM Column

Listed in these columns are all reference designations, figure and item numbers assigned to the associated part numbers.

B. DESCRIPTION Column

In this column is listed the noun name for each assembly, subassembly, sub-subassembly and detail part. If applicable, a description, and serial number or modification level effectivity are also listed.

C. UNITS PER ASSY Column

This column contains the number of parts required for each assembly or subassembly. The letters "AR" denote that the selection of a part or parts should be made as required. "REF" is used if the item is listed for reference purposes.

D. USED ON Column

Part variations within different models of the same equipment are indicated in the USED ON column. In cases where this column has been left blank, the part listed will apply to all models of equipment covered by this publication.



BENDIX/KING

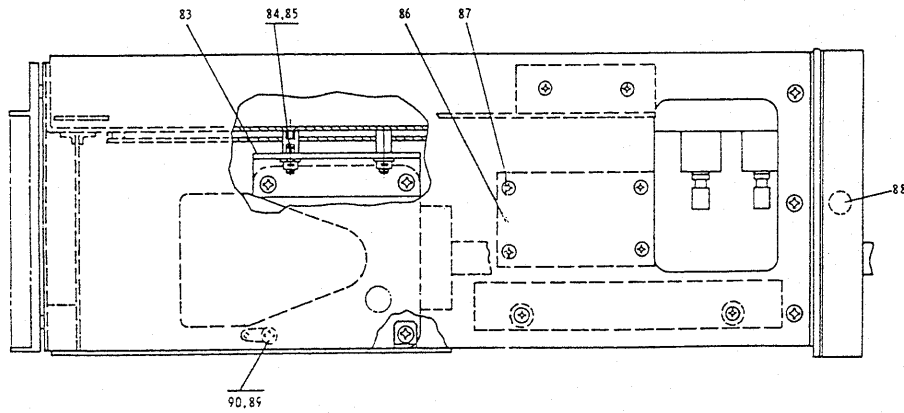
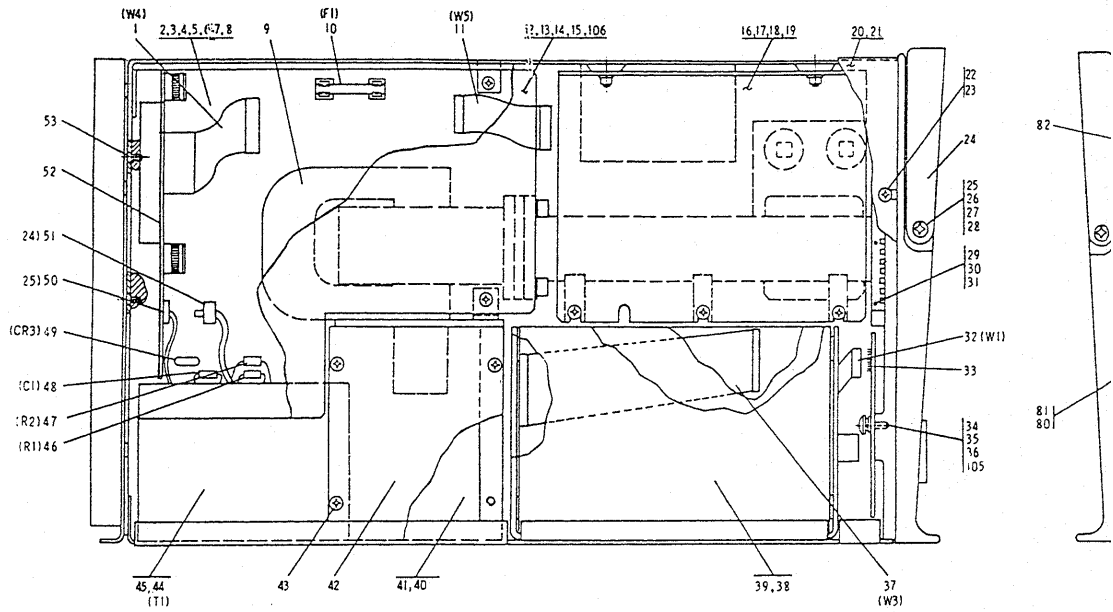
MAINTENANCE MANUAL  
RT-1401B RECEIVER-TRANSMITTER

REVISION IDENTIFICATIONS

GLOSSARY OF TERMS	
S/B	Service Bulletin
S/N	Serial Number
P/N	Part Number
P/M	Plus or Minus
N/A	Not Applicable
N/S	Not Specified
NHA	Next Highest Assembly
P/N Corrected, Effectivity N/A	Previous part number listed incorrectly. Units not affected. Parts in stock under previous part number not usable for this part.
Running Change, Effectivity N/S	Item no longer available. Vendor change for similar replacement, etc. Existing parts under previous part numbers usable.
Listing Error Corrected, Effectivity N/A	Parts not affected.
Unused	Item number not used.
Changed, Effective Subassy Mod ___ S/N ___	Changed part number. Previous part to be used if this change is not incorporated.
Added, Effective Subassy Mod ___ S/N ___	New item added.
Deleted, Effective Subassy Mod ___ S/N ___	Previous part to be used if this change is not incorporated.
Relocated, Effective Subassy Mod ___ S/N ___	Item moved to new location. Parts not affected.
ESDS	ESDS device identification is in the part description. Special handling per procedure in "Maintenance Practices" section.

**BENDIX/KING**

**MAINTENANCE MANUAL  
RT-1401B RECEIVER-TRANSMITTER**

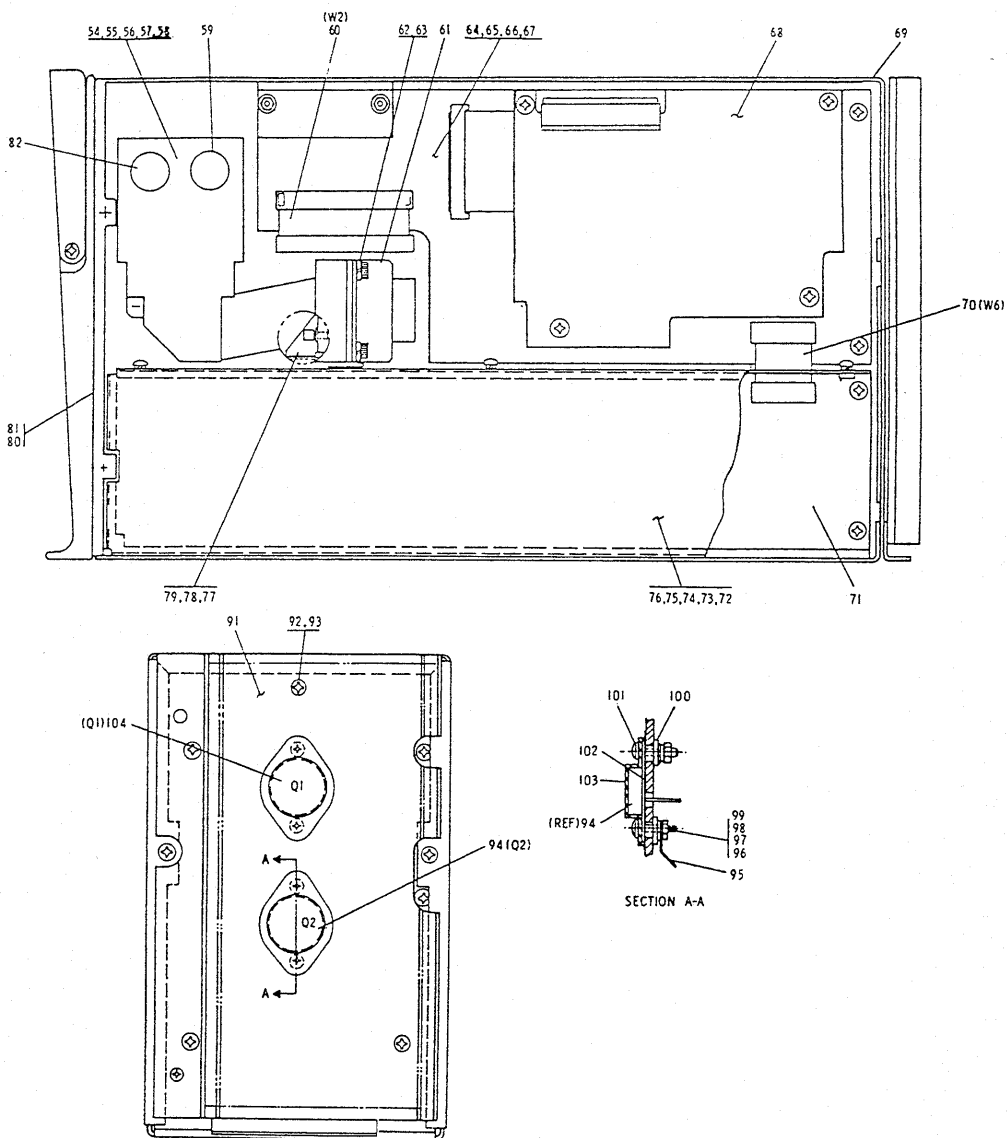


D8063146

I.B. 21401B-1

RT-1401B Receiver-Transmitter  
Figure 4-1

4-3/4-4  
May/92





815 Broad Hollow Rd., Farmingdale, New York 11735

(631) 755-7625 Fax: (631) 755-7046

**BENDIX/KING**  
 MAINTENANCE MANUAL  
 RT-1401B RECEIVER-TRANSMITTER  
 SECTION IV PARTS LIST

REF DESIGN	FIG ITEM	DESCRIPTION	UNITS PER ASSY	USED ON	BENDIX/KING NUMBER
	4-1				
		RT-1401B RECEIVER TRANSMITTER	1	A	4000831-0105
		RT-1401B RECEIVER TRANSMITTER	1	B	4000831-0106
W1004	1	CONNECTOR	1		44104-010400
	2	BOARD, INTERCONNECT	1	A	3606464-0501
		SEE FIG/ITEM 4-3 FOR BREAKDOWN			
	2A	BOARD, INTERCONNECT	1	B	3606464-0502
		SEE FIG/ITEM 4-3 FOR BREAKDOWN			
	3	SCREW, BINDING HEAD	9		6432-0404
	4	WASHER, LOCK	9		36037-3403
	5	WASHER, FLAT	9		36038-3407
	6	SCREW, PAN HEAD	2		6332-0609
	7	WASHER, LOCK	2		36037-3405
	8	WASHER, FLAT	2		36037-3405
	9	MAGNETRON	1		4004505-0002
F1001	10	FUSE	1		21001-0058
W1005	11	CONNECTOR	1		44104-010400
	12	SHIELD	1		3601296-0001
	13	BRACKET	1		3601295-0501
	13A	BRACKET	1		3601295-0001
		RUNNING CHANGE, EFF N/S			
	14	SCREW, FLAT HEAD	1		6732-0406
	15	SCREW, FLAT HEAD	2		6732-0405
	16	RECEIVER, BEACON ASSEMBLY	1		3606473-0501
		SEE FIG/ITEM 4-9 FOR BREAKDOWN			
	17	SCREW, BINDING HEAD	5		6432-0403
	18	WASHER, LOCK	3		36037-3403
	19	WASHER, FLAT	3		36038-3406
	20	COVER, DUST	1		4004660-0504
	21	SCREW, BINDING HEAD	4		6430-0604
	22	SCREW, BINDING HEAD	2		6430-0606
	23	WASHER, LOCK	2		36037-3505
	24	HANDLE	1		4007379-0505
	25	SPACER	2		34000-0119
	26	SCREW, BINDING HEAD	2		6432-0604
	27	WASHER, BOWED	2		36006-0013
	28	WASHER, MYLAR	2		36017-0027
	29	STRIP, FINGER CONTACT	2		41021-0003
	30	SCREW, BINDING HEAD	6		6432-0202
	31	WASHER, LOCK	6		36036-3403
	32	CONNECTOR	1		44108-010300
	33	BOARD, CONNECTOR FRONT	1		3606465-0501
		SEE FIG/ITEM 4-2 FOR BREAKDOWN			
	34A	SCREW, BINDING HEAD	1		6432-0604
	34	SCREW, BINDING HEAD	1		6432-0605
		RUNNING CHANGE, EFF N/S			
	35	WASHER, LOCK	1		36037-3405
	36	WASHER, FLAT	1		36038-3410
	36A	WASHER, FLAT	2		36038-3410
		RUNNING CHANGE, EFF N/S			
	37	CONNECTOR	1		44120-0025
	38	SUPPLY, POWER ASSEMBLY	1		4007721-0504
		SEE FIG/ITEM 4-7 FOR BREAKDOWN			
	39	SCREW, FLAT HEAD	6		6232-0605
	40	CAVITY, H.V.	1		4005737-0501
	41	SCREW, FLAT HEAD	4		46010-1165
	42	COVER	1		4005736-0001

I.B. 21401B-1

4-5  
MAY/92

**BENDIX/KING**  
 MAINTENANCE MANUAL  
 RT-1401B RECEIVER-TRANSMITTER  
**SECTION IV PARTS LIST**

REF DESIGN	FIG ITEM	DESCRIPTION	UNITS PER ASSY	USED ON	BENDIX/KING NUMBER
T1001	43	SCREW,PAN HEAD	4		46042-0404
	44	TRANSFORMER	1		4007436-0501
	45	SCREW,FLAT HEAD	4		6732-0405
R1001	46	2 OHMS P/M5% 3W WW	1		11131-0058
R1002	47	.12 OHMS P/M5% 3W WW	1		11091-CR12J
C1001	48	.047UF P/M20% 50VDC CERAMIC	1		10210-0033
CR1003	49	A115M	1		12042-0056
P1025	50	CONNECTOR	1		32084-0001
P1024	51	CONNECTOR	1		32084-0001
	52	MODULE,MODULATOR	1		4007720-0501
		SEE FIG/ITEM 4-6 FOR BREAKDDOWN			
	53	SCREW,FLAT HEAD	2		6232-0605
	54	DUPLEXER,MIXER	1		4007716-0503
	55	SCREW,BINDING HEAD	2		6430-0806
	56	SCREW,CAP HEAD	4		46068-0806S
	57	WASHER,LOCK	4		36037-3406
	58	WASHER,LOCK	2		36037-3506
CR1002	59	1N23G	1		12062-0004
W1002	60	CONNECTOR	1		44107-010300
	61	MODULE,LOCAL OSCILLATOR	1		4007932-0501
		SEE FIG/ITEM 4-8 FOR BREAKDOWN			
	62	SCREW	4		46068-0806S
	63	WASHER,LOCK	4		36037-3406
	64	MODULE,ANALOG VIDEO	1		3606459-0501
		SEE FIG/ITEM 4-5 FOR BREAKDOWN			
	65	SCREW,FLAT HEAD	2		6732-0406
	66	WASHER,LOCK	2		36036-3405
	67	NUT,HEX	2		45045-3402
	68	MODULE,MODE DECODER	1		3606460-0501
		SEE FIG/ITEM 4-10 FOR BREAKDOWN			
	69	FRAME	1		4007723-0504
W1006	70	CONNECTOR	1		44105-010200
	71	MODULE,RECEIVER	1		3606458-0501
		SEE FIG/ITEM 4-4 FOR BREAKDOWN			
	72	COVER,RECEIVER	1		4007871-0501
	73	SCREW,BINDING HEAD	3		6432-0403
	74	SCREW,FLAT HEAD	3		6732-0404
	75	FASTENERS	3		45035-0001
	76	WASHER,LOCK	3		36037-3403
	77	SCREW,CAP HEAD	1		46068-0806S
	78	WASHER,LOCK	1		36037-3406
	79	WASHER,FLAT	1		36038-3411
	80	PANEL,FRONT	1		4007054-0501
	81	SCREW,FLAT HEAD	6		6232-0605
CR1001	82	1N23GR	1		12062-0005
	83	BRACKET	1		4007874-0501
	84	SPACER	2		34037-0002
	85	SCREW,CAPTIVE	2		46089-0001
L1001	86	CHOKE	1		17383-0003
	87	SCREW,FLAT HEAD	4		6732-0405
	88	BUTTON	1		4005062-0001
	89	LUG	1		32002-002D
	90	SCREW,CAP	4		46010-1365
	91	HEATSINK	1		4005955-0002
	92	SCREW,BINDING HEAD	4		6430-0605
	93	WASHER,LOCK	4		36037-3505
Q1002	94	MJ4034	1		12074-0003



815 Broad Hollow Rd., Farmingdale, New York 11735

(631) 755-7625 Fax: (631) 755-7046

**BENDIX/KING**  
MAINTENANCE MANUAL  
RT-1401B RECEIVER-TRANSMITTER  
**SECTION IV PARTS LIST**

REF DESIGN	FIG ITEM	DESCRIPTION	UNITS PER ASSY	USED ON	BENDIX/KING NUMBER
	95	LUG	2		32002-002D
	96	SCREW, PAN HEAD	4		6332-0609
	97	WASHER, LOCK	4		36037-3405
	98	WASHER, FLAT	4		36038-3410
	99	NUT, HEX	4		45043-3407
	100	SPACER	2		34000-0176
	101	BUSHING	4		2080385-0003
	102	INSULATOR	2		43040-0005
	103	COVER, INSULATOR	2		43037-0001
Q1001	104	MJ4034	1		12074-0003
	105	SCREW, FLAT HEAD	8		6230-0405
	106	NUT, SPEED	1		45035-0001

I.B. 21401B-1

4-7/4-8  
MAY/92