



EXHIBIT 1

PROPOSED FCC LABEL AND ITS LOCATION



PHILIPS/AMATV PROPRIETARY
 COPYRIGHT © PHILIPS AIRCRAFT CO 1994
 UNPUBLISHED WORK-ALL RIGHTS RESERVED.

General Motors
 Corporation

CHARGE PORT MODEL CP7200
 500 V Peak
 29Amp Max
 9.0 KVA Max. Output

MODEL/FCC ID: **NZM7030TR**

Operation is subject to the following two conditions: (1) This device may not cause harmful interference and (2) This device must accept interference received, including interference that may cause undesired operation.



UL LISTED
 EV BATTERY CHARGER
 7M60

PRINTED IN U.S.A.

27004774

VENDOR IDENTIFICATION

3.2 [.13] CORNER RADIUS
 4X

FCC ID: NZM7030TR

SILVER

101.6 [4.00]

76.2 [3.00]

5. LINEAR MEASURE MILLIMETER [INCH] PER ANSI Y14.5M-1982.
4. ALL MARKINGS AND SYMBOLS SHALL BE APPLIED BY A UL-APPROVED MARKING SYSTEM. SYMBOLS MUST BE UL-APPROVED SIZE.
3. SUGGESTED SUPPLIER: BEST LABEL CO., INC., CERRITOS, CA, USING SYSTEM NO. BS(m)20 OR BS(m)22.

2 MATERIAL: BASE - 0.051 MYLAR, COLOR SILVER.
 OVERLAY - 0.025 UV CLEAR MYLAR.
 ADHESIVE - 0.03-0.04, FAR SIDE.
 ALL MATERIAL MUST BE UL-RECOGNIZED.

1. STANDARD COLORS AND LETTERING
 - A. THE WORD 'MODEL/FCC ID' SHALL BE IN LETTERS AT LEAST 3.2 [1/8] HIGH. THE WORD 'PART NO.' AND '16235619' SHALL BE AT LEAST 2.5 [.10] HIGH, AND THE REMAINING LETTERS SHALL BE AT LEAST 2.4 [3/32] HIGH.
 - B. TEXT IS BLACK COLOR.

NOTES - UNLESS OTHERWISE SPECIFIED

REV	DATE	APPROVAL
1		
2		
3		
4		

REVISIONS

2/28/94

A INITIAL PROD. RELEASE

ALL PRODUCT CHARACTERISTICS	MIN	TYP	MAX
SAFETY			
COMPLIANCE			
VIA OR CHANGE			
LAST MARKING			



REV	DATE	APPROVAL
1		
2		
3		
4		

REVISIONS	DATE	APPROVAL
1		
2		
3		
4		

REVISIONS	DATE	APPROVAL
1		
2		
3		
4		

REVISIONS	DATE	APPROVAL
1		
2		
3		
4		

REVISIONS	DATE	APPROVAL
1		
2		
3		
4		

REVISIONS	DATE	APPROVAL
1		
2		
3		
4		

REVISIONS	DATE	APPROVAL
1		
2		
3		
4		

REVISIONS	DATE	APPROVAL
1		
2		
3		
4		

REVISIONS	DATE	APPROVAL
1		
2		
3		
4		

REVISIONS	DATE	APPROVAL
1		
2		
3		
4		

REVISIONS	DATE	APPROVAL
1		
2		
3		
4		

REVISIONS	DATE	APPROVAL
1		
2		
3		
4		

REVISIONS	DATE	APPROVAL
1		
2		
3		
4		

REVISIONS	DATE	APPROVAL
1		
2		
3		
4		

REVISIONS	DATE	APPROVAL
1		
2		
3		
4		

REVISIONS	DATE	APPROVAL
1		
2		
3		
4		

REVISIONS	DATE	APPROVAL
1		
2		
3		
4		

REVISIONS	DATE	APPROVAL
1		
2		
3		
4		

REVISIONS	DATE	APPROVAL
1		
2		
3		
4		

REVISIONS	DATE	APPROVAL
1		
2		
3		
4		

REVISIONS	DATE	APPROVAL
1		
2		
3		
4		

REVISIONS	DATE	APPROVAL
1		
2		
3		
4		

REVISIONS	DATE	APPROVAL
1		
2		
3		
4		

REVISIONS	DATE	APPROVAL
1		
2		
3		
4		

REVISIONS	DATE	APPROVAL
1		
2		
3		
4		

REVISIONS	DATE	APPROVAL
1		
2		
3		
4		

REVISIONS	DATE	APPROVAL
1		
2		
3		
4		

REVISIONS	DATE	APPROVAL
1		
2		
3		
4		

REVISIONS	DATE	APPROVAL
1		
2		
3		
4		

REVISIONS	DATE	APPROVAL
1		
2		
3		
4		

REVISIONS	DATE	APPROVAL
1		
2		
3		
4		

REVISIONS	DATE	APPROVAL
1		
2		
3		
4		

REVISIONS	DATE	APPROVAL
1		
2		
3		
4		

REVISIONS	DATE	APPROVAL
1		
2		
3		
4		

REVISIONS	DATE	APPROVAL
1		
2		
3		
4		

REVISIONS	DATE	APPROVAL
1		
2		
3		
4		

REVISIONS	DATE	APPROVAL
1		
2		
3		
4		

REVISIONS	DATE	APPROVAL
1		
2		
3		
4		

REVISIONS	DATE	APPROVAL
1		
2		
3		
4		

REVISIONS	DATE	APPROVAL
1		
2		
3		
4		

REVISIONS	DATE	APPROVAL
1		
2		
3		
4		

REVISIONS	DATE	APPROVAL
1		
2		
3		
4		

REVISIONS	DATE	APPROVAL
1		
2		
3		
4		

REVISIONS	DATE	APPROVAL
1		
2		
3		
4		

REVISIONS	DATE	APPROVAL
1		
2		
3		
4		

REVISIONS	DATE	APPROVAL
1		
2		
3		
4		

REVISIONS	DATE	APPROVAL
1		
2		
3		
4		

REVISIONS	DATE	APPROVAL
1		
2		
3		
4		

REVISIONS	DATE	APPROVAL
1		
2		
3		
4		

REVISIONS	DATE	APPROVAL
1		
2		
3		
4		

REVISIONS	DATE	APPROVAL
1		
2		
3		
4		

REVISIONS	DATE	APPROVAL
1		
2		
3		
4		

REVISIONS	DATE	APPROVAL
1		
2		
3		
4		

REVISIONS	DATE	APPROVAL
1		
2		
3		
4		

REVISIONS	DATE	APPROVAL
1		
2		
3		
4		

REVISIONS	DATE	APPROVAL
1		
2		
3		
4		

REVISIONS	DATE	APPROVAL
1		
2		
3		
4		

REVISIONS	DATE	APPROVAL
1		
2		
3		
4		

REVISIONS	DATE	APPROVAL
1		
2		
3		
4		

REVISIONS	DATE	APPROVAL
1		
2		
3		
4		

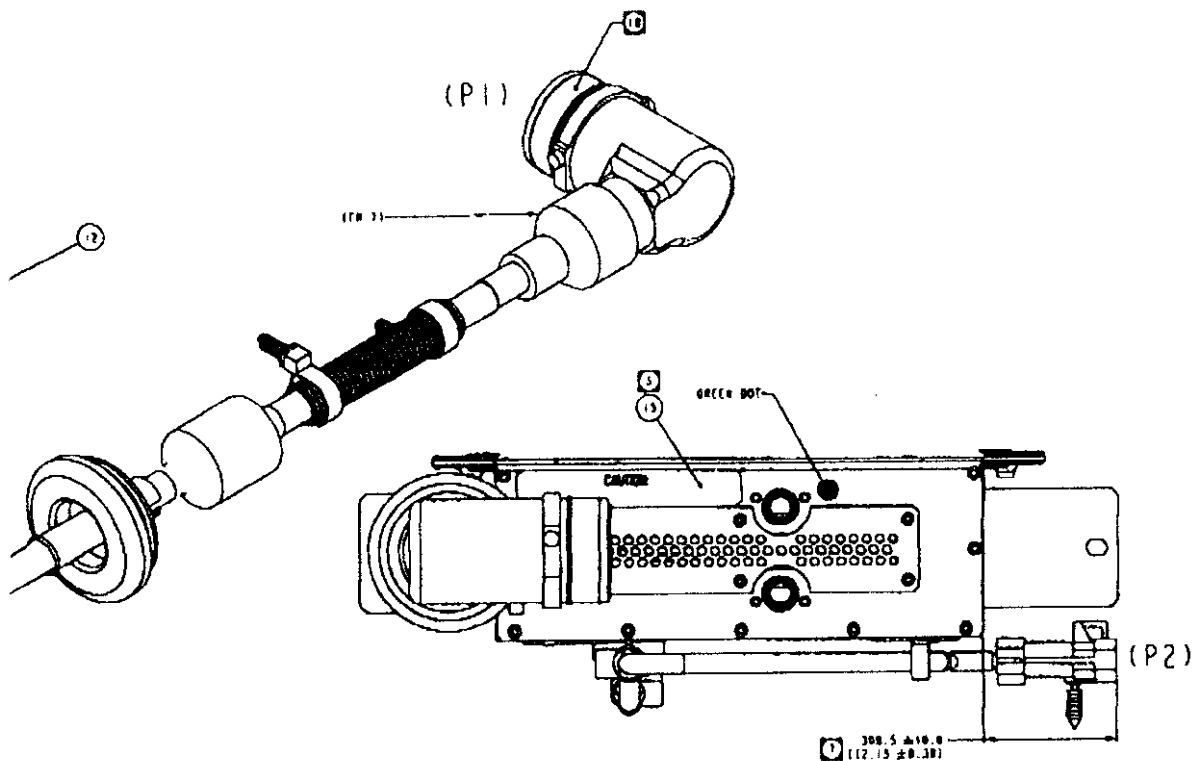
REVISIONS	DATE	APPROVAL
1		
2		
3		
4		

REVISIONS	DATE	APPROVAL
1		
2		
3		
4		

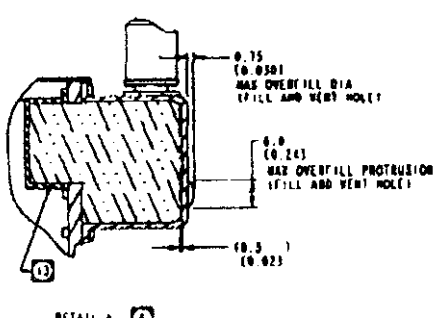
REVISIONS	DATE	APPROVAL
1		
2		
3		

FCC ID: NZM7030TR

REV	DATE	BY	DESCRIPTION	CHKD	APPROV
1			SEE DR FOR CHANGES		



(VENT HOLES)
 ① SEE DETAIL A



1	27004702	LABEL - CAUTION	30
AA	DP-150	EPOXY (2MI)	29
2	9C-300-12	CAPPLING	28
1	18268561	SPACER, CONNECTOR	27
2	27003365	BRACKET, MOUNTING	26
4	265-20305-F64	SCREW, #6 X 14 (CARBON TAP TITE)	25
3	12013631	CONDUIT CLIP	24
1	18240281	ACTUATOR ASM	23
12	CCP32	RIVET, POP 3/32 (CHERRY)	22
2	58-2655	SNAP RIVET (CHERRY)	21
8	18267408	SCREW, #4 X 12 (TAPTITE)	20
8	18267490	SCREW, #4 X 12 (PT THREAD)	19
AR	00LPH 58-1130	POTTING MALT	18
45	18267492	SCREW, #3 X 8	17
1	27004735	LABEL - FRONT	16
1	27004703	LABEL - CAUTION	15
1	27004673	LABEL, LOGO	14
1	27004774	LABEL, 10	13
2	11313470	BUT-TYPE C WIDE RANGE, S-SHAPE (CAL INDUS PROD)	12
	DELETED		11
2	18246571	SHIELD, CNJ	10
2	18248286	CLIP - TACTILE	9
1	27004213	COVER, DEBRIS	8
1	18250000	CABLE ASM, OUTPUT	7
1	18236189	BOX, INSULATION	6
1	18235615	COVER, TOP	5
1	18246182	MODULE ASM - COMM	4
1	18235630	COVER ASSEMBLY	3
1	18250892	COVER, FRONT, CAST	2
1	18250891	CHASSIS, CAB	1

LABEL

NET PRODUCT CHARACTERISTICS			
SAFETY COMPLIANCE	TOTAL PFC	FPP (AMPS)	WATTAGE
TOTAL ON DRAWING	0		
LAST NUMBER USED	0		

POWER CONTROL SYSTEMS
 TORRANCE, CALIFORNIA

CHARGE PORT,
 CP7200 ASSEMBLY

18235615

REV. 1.0, 08/92
 REV. 2.0, 09/92
 REV. 3.0, 10/92

