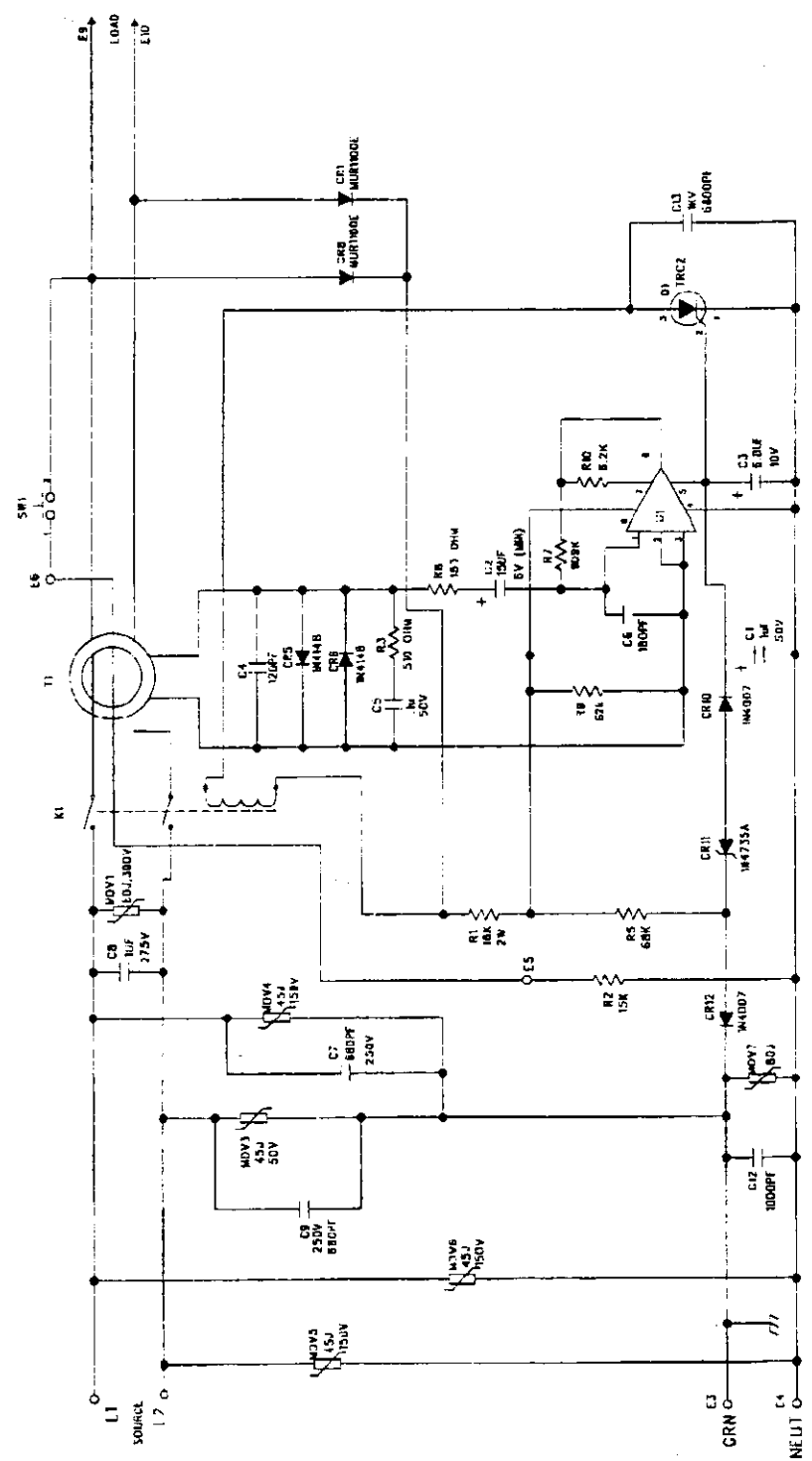


1 2 3 4

THIS DOCUMENT IS SUPPLIED BY TECHNOLOGY RESEARCH CORP. ON THE UNDERSTANDING THAT IT IS STRICTLY CONFIDENTIAL. NO PART OF IT IS TO BE REPRODUCED OR TRANSMITTED IN ANY MANNER WITHOUT THE PRIOR WRITTEN PERMISSION OF THE COMPANY.

FCC ID: NZM0603TR

NOTE:  
1. ALL RESISTORS ARE 1/4W EXCEPT AS NOTED.



2	REV	DESCRIPTION	DATE	APPROVED
A		RELEASE TO PRODUCTION EGN 6237	10/31/97	F.S. BROOKER
B		REVISED FOR B-200 AND	7/13/98	J. RICCIO
C		CHG PER EGN 6863	9/9/98	J. RICCIO
D		CHG PER EGN 7187	7/13/98	J. RICCIO

		TECHNOLOGY RESEARCH CORP CLEARWATER, FLORIDA	
CONTRACT NO.		DATE 5/28/97	
DRAWN M. J. MARTIANI		PROJECT EGN 6237	
DESIGNED		PROJECT EGN 6237	
CHECKED		APPROVED BY F.S. BROOKER	
UNLESS OTHERWISE SPECIFIED DIMENSIONS ARE IN INCHES TOLERANCES FRACTIONAL ANGLES PLACE DEGREES PLACE DECIMALS PLACE DECIMALS MATERIAL FINISH		SIZE FSC# NO. C 60177	
NEXT ASST.		DATE NO. 10/31/97	
USED ON APPLICATION		SHEET NO. 1	
NOTE: 1. ALL RESISTORS ARE 1/4W EXCEPT AS NOTED.		E.V. LEVEL 2, 240V, 4 WIRE 32 AMP, CCID	
35162		35162	

1

2

3

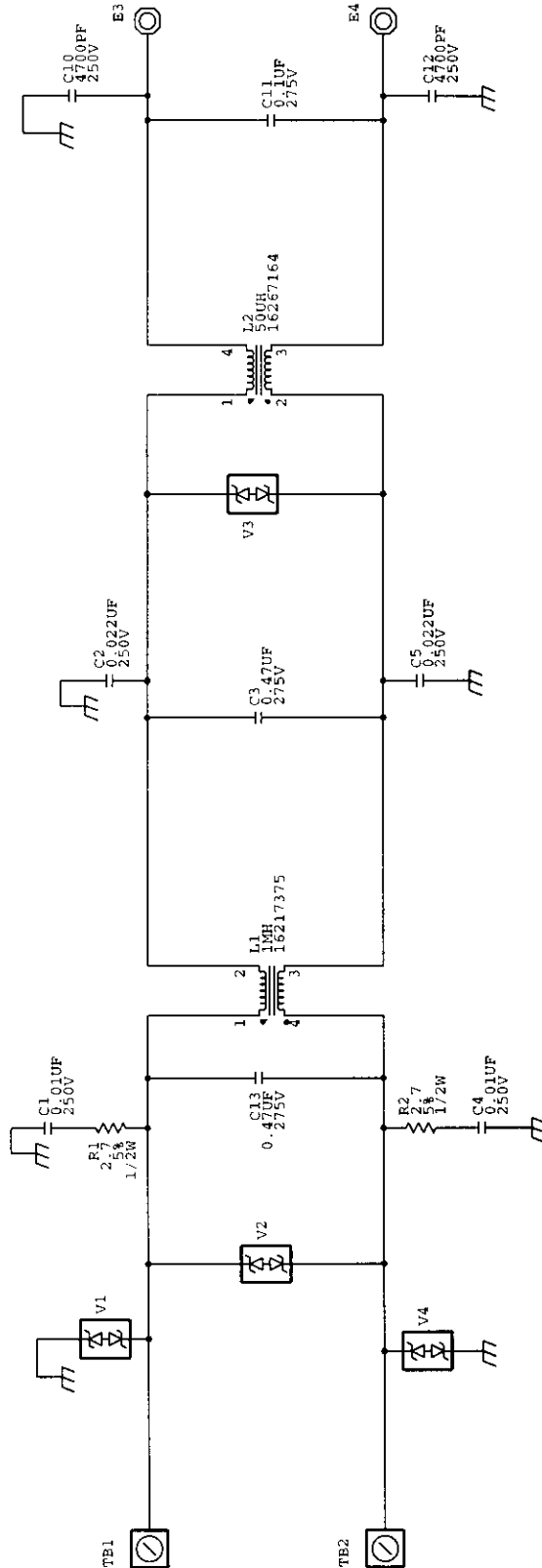
4

8	7	6	5	4	3	2	1
---	---	---	---	---	---	---	---

HUGHES/GMATV PROPRIETARY  
 COPYRIGHT © HUGHES ELECTRONICS 1998  
 UNPUBLISHED WORK - ALL RIGHTS RESERVED.

REVISIONS			
EFF	AUTHORITY	REV	DESCRIPTION
		A	INITIAL PRODUCTION RELEASE
			DATE
			APPROVED:

KEY PRODUCT CHARACTERISTICS			
SAFETY/COMPLIANCE	TOTAL S/C	FIT/FUNCTION	TOTAL P/P
⊙	0	◇	0
TOTAL ON DRAWING	0		0
LAST NUMBER USED	0		0

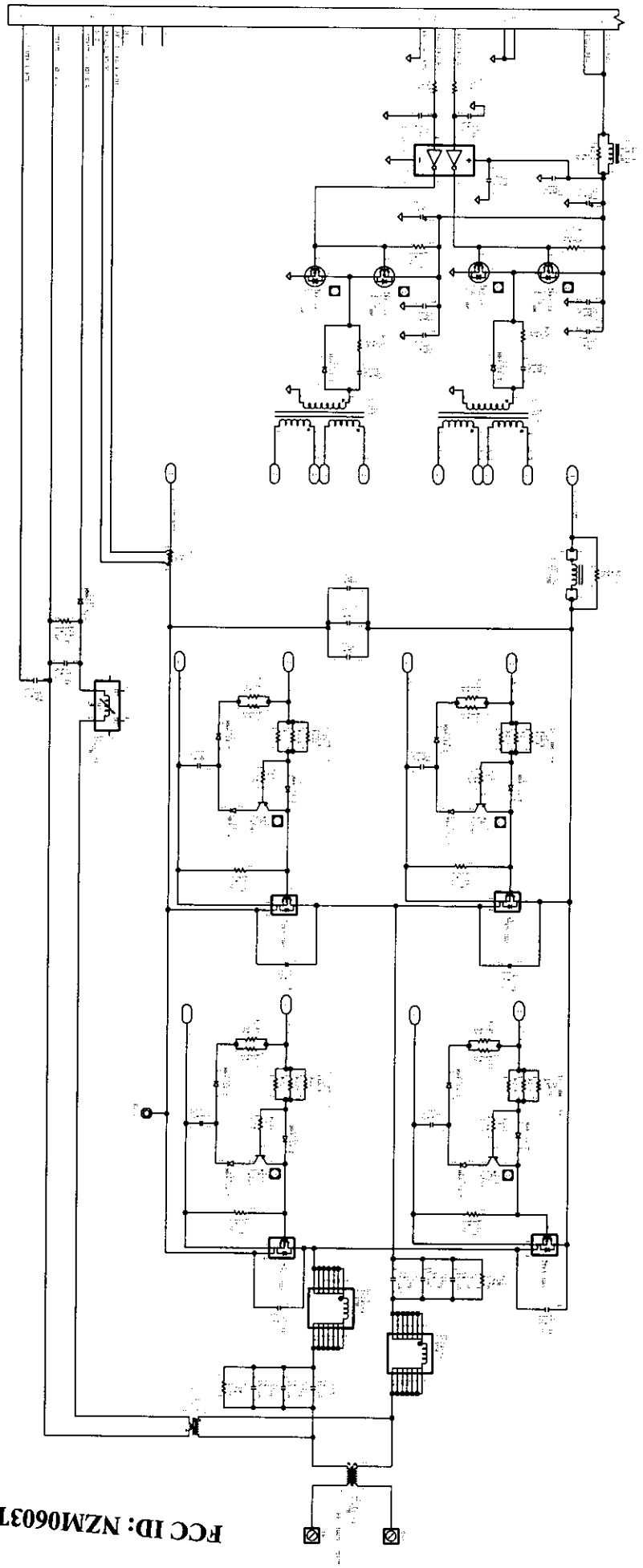


DRAWING: Mon Mar 30 05:12:44 1998		POWER CONTROL SYSTEMS		TORRANCE, CALIFORNIA			
HUGHES AIRCRAFT COMPANY		DATE		SCHEMATIC DIAGRAM			
CONTRACT:		TITLE:		SCHEMATIC DIAGRAM			
DWN: MARIE EVANS		CHK: BAILEY FONG		INPUT FILTER			
CHK:		CHK:		REV: A			
CHK:		CHK:		FILE NAME: LWCOSTSCM/PRODUCTION2181			
APVD: SUNG CHUNG		SIZE: B		SHEET 1 OF 1			
8	7	6	5	4	3	2	1

- NOTES
1. FOR PNB DRAWING SEE 16252180
  2. FOR ASSEMBLY DRAWING SEE 16252179.
  3. ALL CAPACITORS ARE +/-10% UNLESS OTHERWISE SPECIFIED.



FCC ID: NZM0603TR



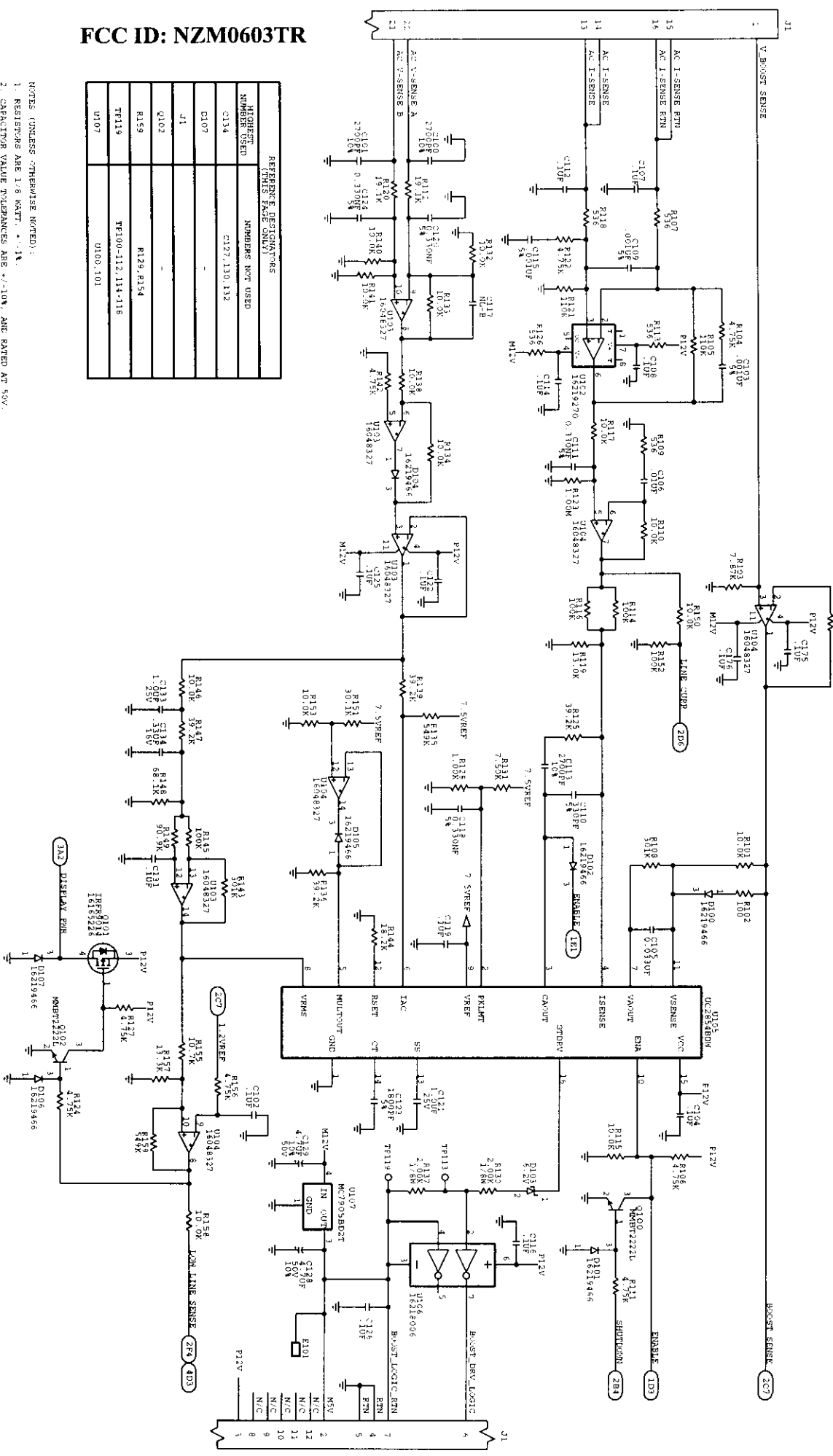
DATE	REV	BY	CHK
10/10/03	1	...	...
10/10/03	2	...	...
10/10/03	3	...	...
10/10/03	4	...	...
10/10/03	5	...	...
10/10/03	6	...	...
10/10/03	7	...	...
10/10/03	8	...	...

KEY PRODUCT CHARACTERISTICS		
SAFETY/COMPLIANCE	TOTAL S/C	TOTAL FUNCTION
0	0	0
TOTAL OR DEPARTING		
LAST NUMBER USED		

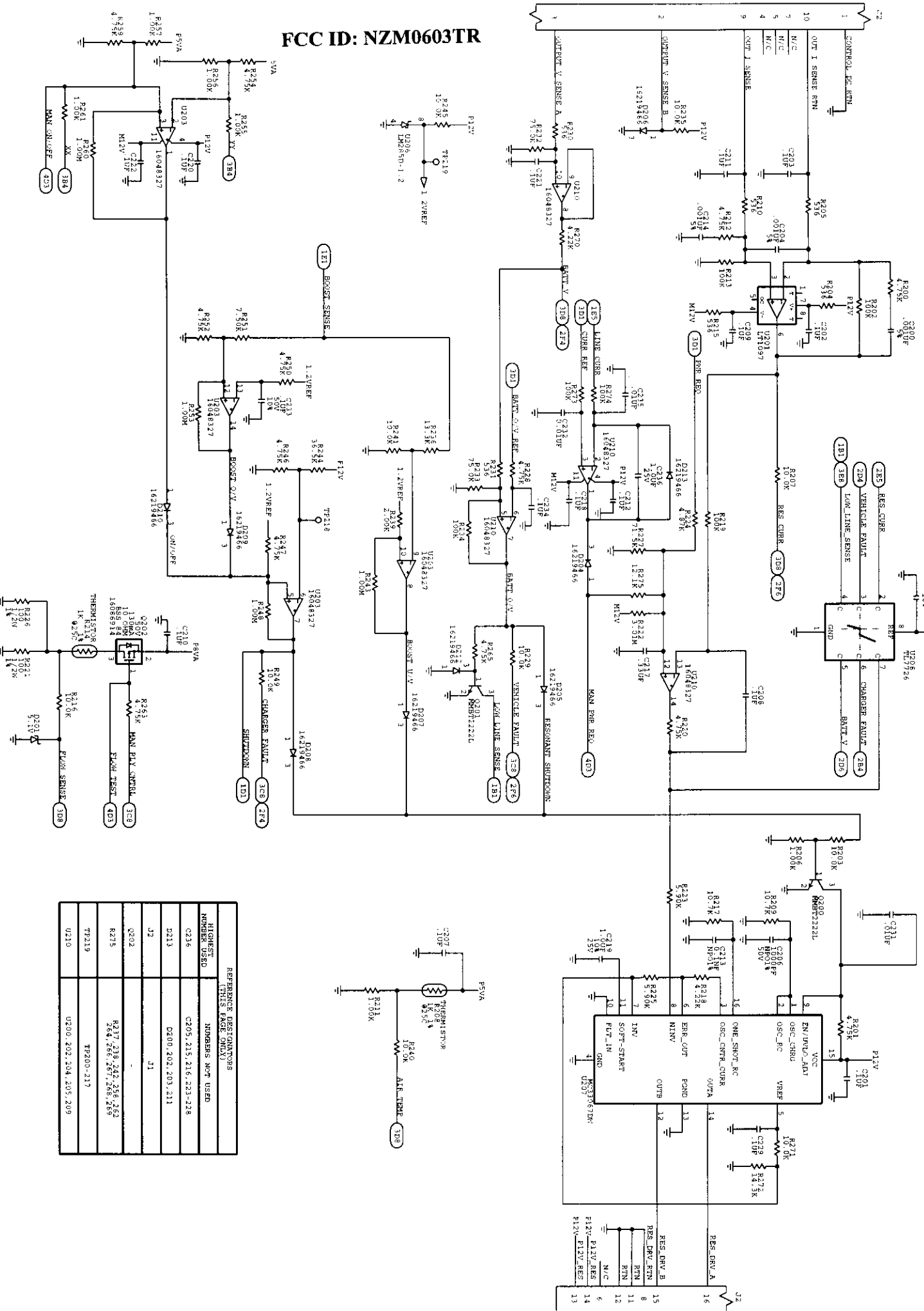
FCC ID: NZM0603TR

- NOTES (UNLESS OTHERWISE NOTED):
1. RESISTORS ARE 1/8 WATT, ±1%.
  2. CAPACITOR VALUE TOLERANCES ARE ±10%, AND RATED AT 50V.
  3. FOR PCB SPACING SEE 16236345.
  4. FOR ASSEMBLY DRAWING SEE 16236341.
  5. COMPONENTS INDICATED AS "M.T." OR "R.F." ARE NOT INSTALLED.

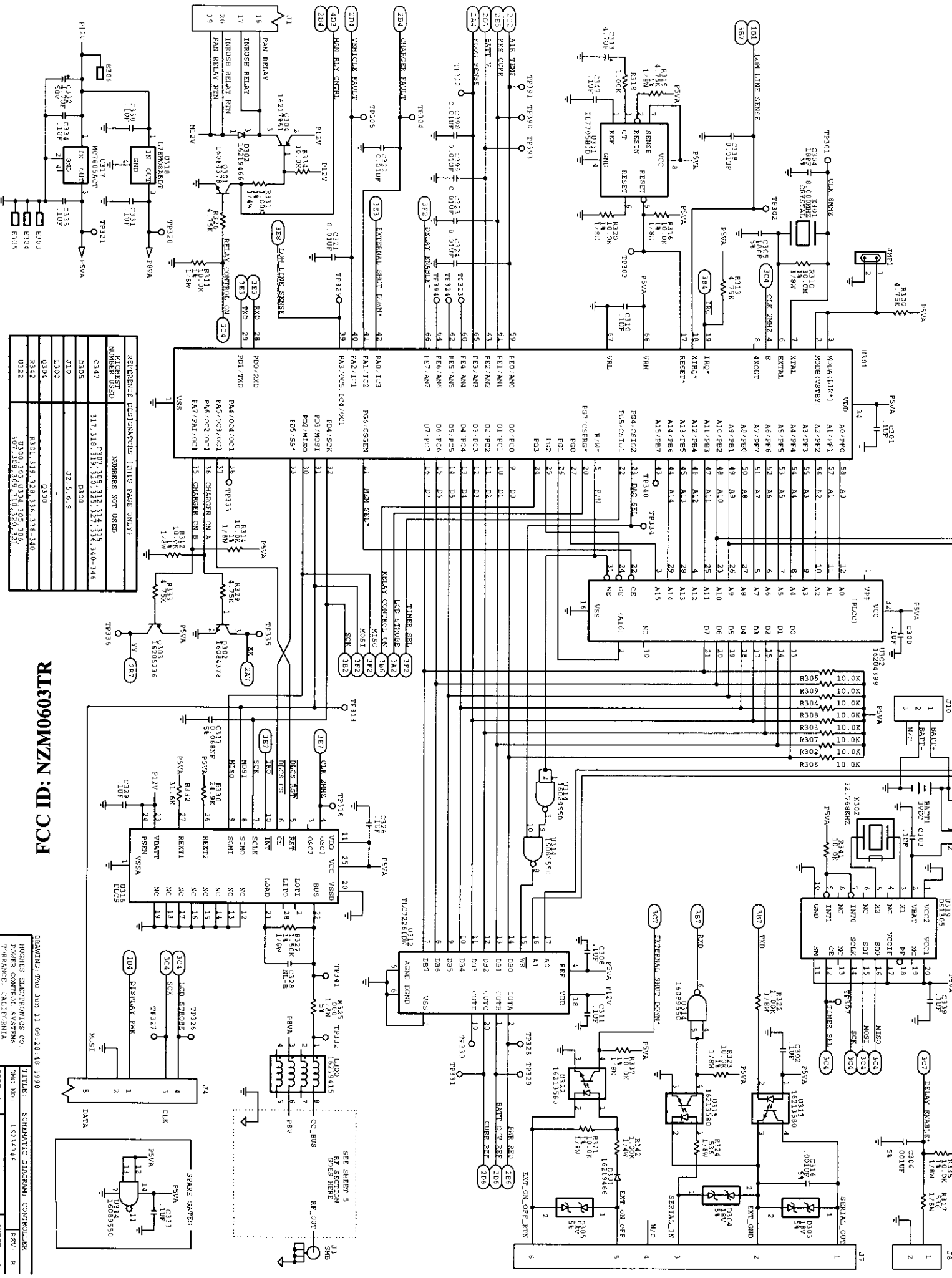
REFERENCE DESIGNATORS	NUMBERS NOT USED
RESISTOR	
C134	C127, C130, C132
C107	-
J1	-
C102	-
R159	R129, R154
TP119	TP100-112, J14-116
U107	U100, U01



FCC ID: NZM0603TR



REFERENCE DESIGNATORS	
(THIS PAGE ONLY)	
HIGHEST NUMBER USED	NUMBERS NOT USED
C316	C205, 215, 216, 223-228
D213	D200, 202, 203, 211
J2	J1
Q202	R237, 238, 242, 256, 262
R215	R249, 266, 267, 268, 269
TP219	TP200-217
U210	U200, 202, 204, 205, 209

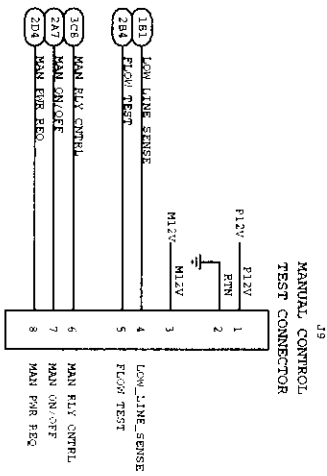
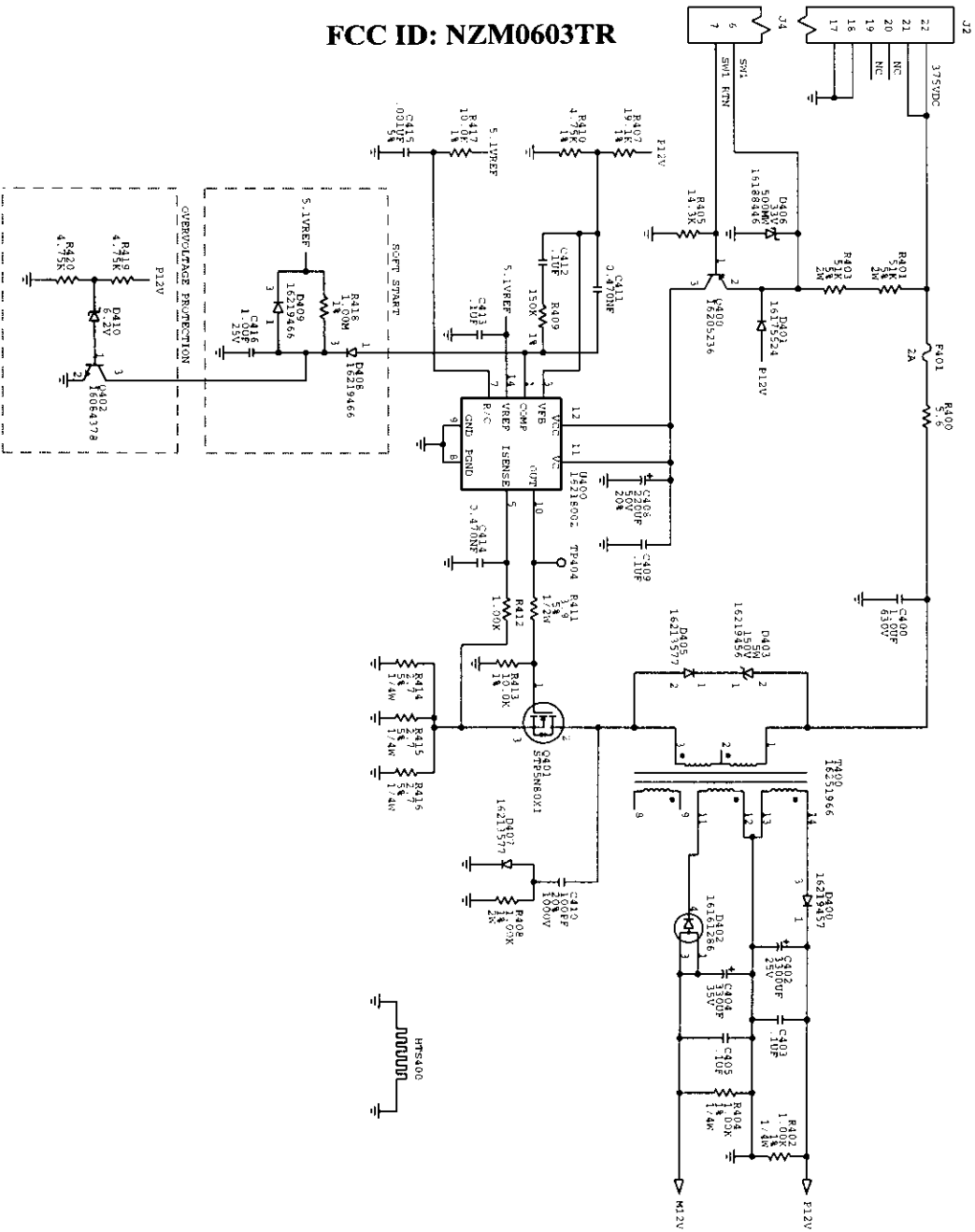


REFERENCE DESIGNATOR	VALUE	REFERENCE DESIGNATOR	VALUE
C347	317.1k	D300	D300
D305	27.5.6.8	D304	D304
D306	27.5.6.8	D303	D303
D307	27.5.6.8	D302	D302
D308	27.5.6.8	D301	D301
D309	27.5.6.8	D300	D300

**FCC ID: NZM0603TR**

DRAWING: Thu Jun 11 09:28:48 1998  
 HUNTERS ELECTRONICS CO.  
 POWER CONTROL SYSTEMS  
 TORRANCE, CALIFORNIA  
 TITLE: SCHEMATIC DIAGRAM: CONTROLLER  
 DWG NO: 1621544E  
 REV: B  
 SHEET: 3

FCC ID: NZM0603TR



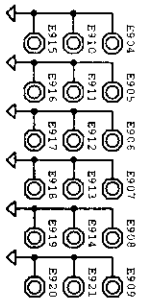
REFERENCE DESIGNATORS	
HIGHEST NUMBER USED	NUMBERS NOT USED
C416	C401, 406, 407
D410	D404
Q402	J1, 3, 5, 6, 7, 8
R42C	R406
U400	-
T400	-

DRAWING: Thu Jun 11 09:27:24 1998  
 HUGHES ELECTRONICS CO.  
 POWER CONTROL SYSTEMS  
 TORRANCE, CALIFORNIA

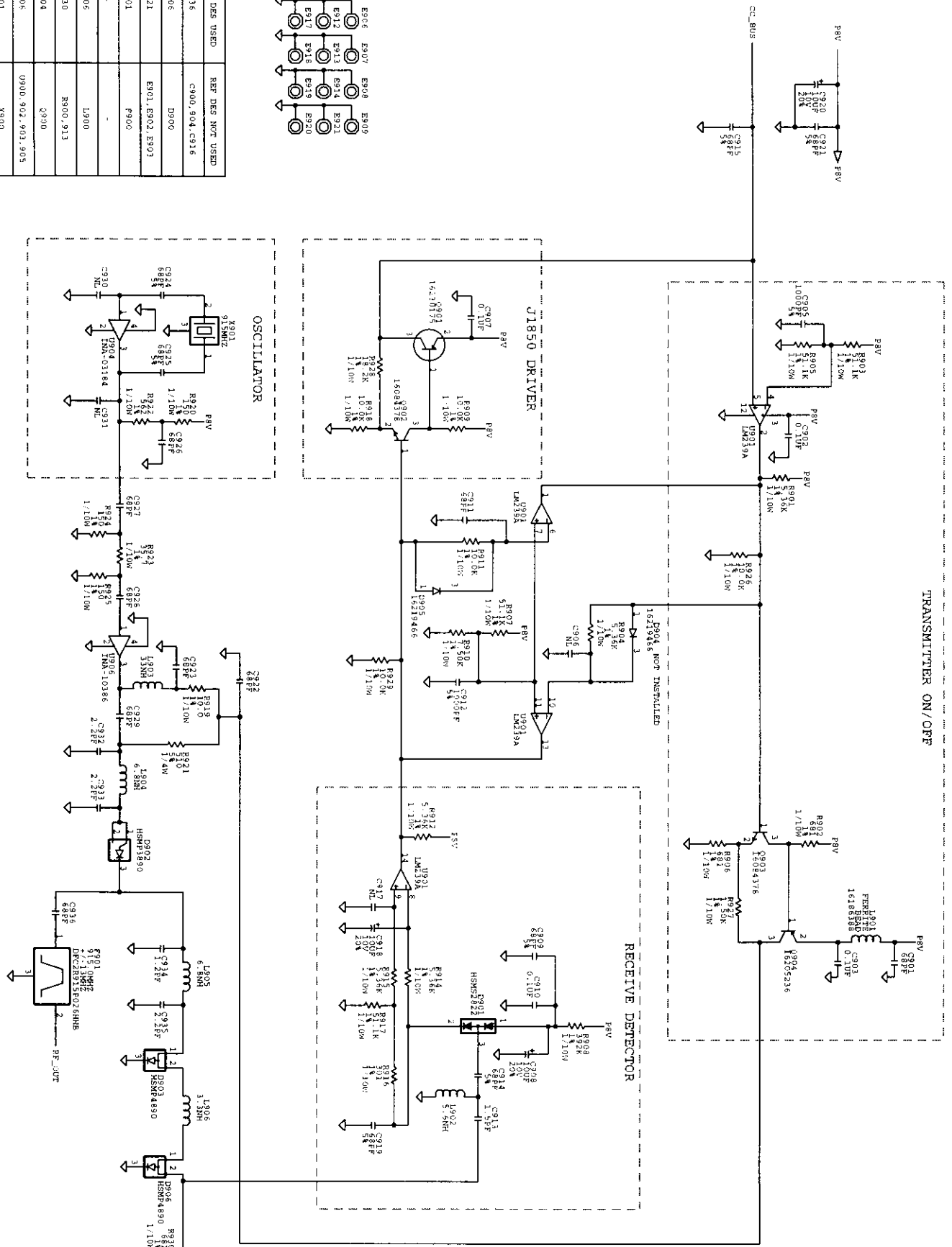
TITLE: SCHEMATIC DIAGRAM: CONTROLLER  
 DWG NO: 16236346  
 REV: B  
 SIZE: C  
 SHEET: 4



FCC ID: NZM0603TR



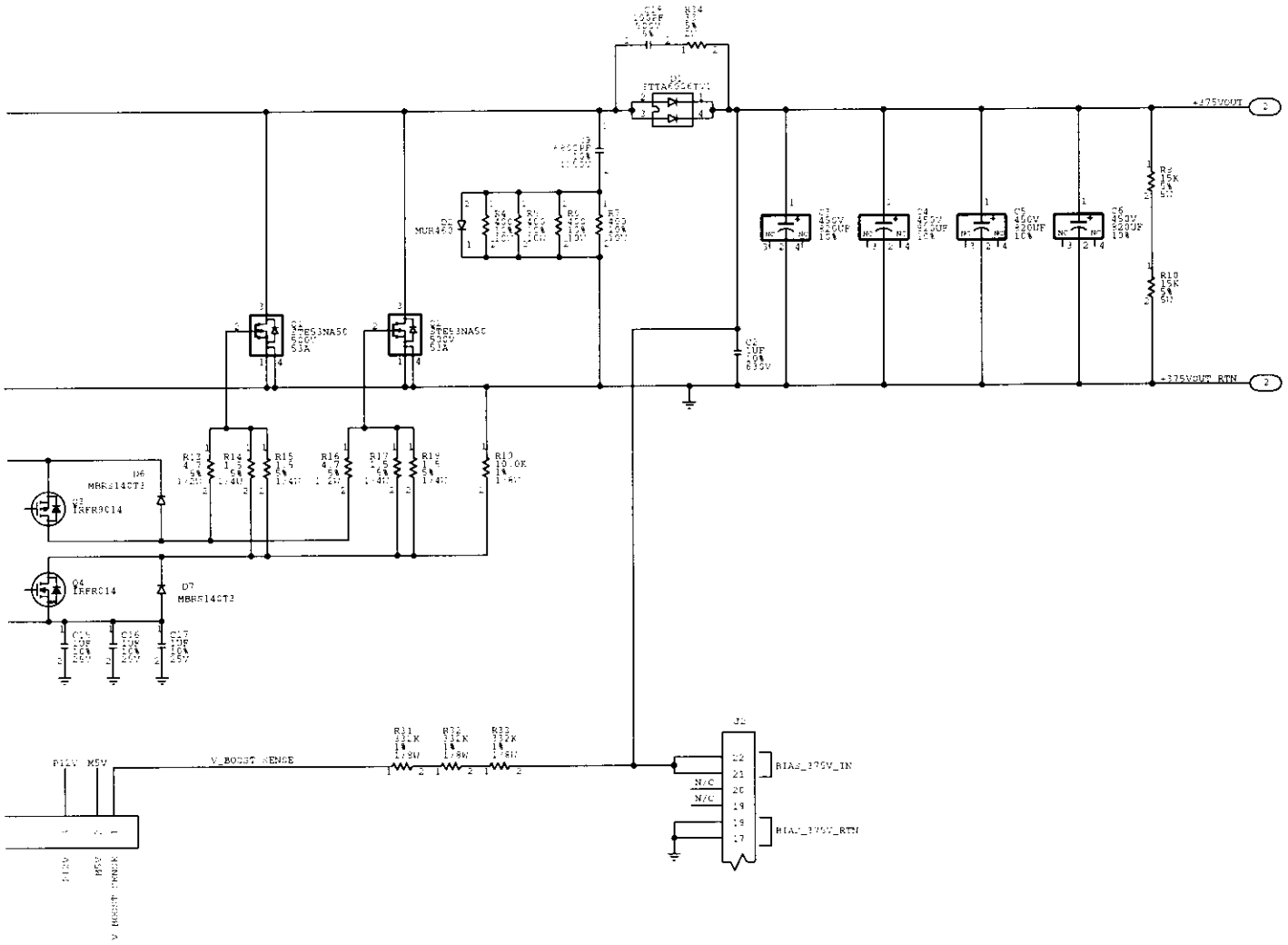
HIGHEST REF DES USED	REF DES NOT USED
C916	C900, 904, C916
C906	D900
E921	E901, E902, E903
F901	F900
L905	L900
R930	R900, 913
Q904	Q900
U906	U900, 902, 903, 905
X901	X900



DRAWING: 621235346 THRU JUN 11 09-28-04 1998  
 HOCHER ELECTRONICS CO.  
 POWER CONTROL SYSTEMS  
 TERRANCE, CALIFORNIA  
 TITLE: SCHEMATIC DIAGRAM: CONTROLLER  
 DWG NO: 16216346 REV: B  
 SIZE: C SHEET 5

REVISIONS					
EFF	AUTHORITY	REV	DESCRIPTION	DATE	APPROVED
		B	SEE REV. SHEET		

FCC ID: NZM0603TR



DRAWING BY: May 1 10 10 AM 1998		FORNANCE, CALIFORNIA	
ROGERS AIRCRAFT COMPANY		POWER CONTROL SYSTEMS	
CONTRACT:	DATE:	SCHEMATIC DIAGRAM	
BY: DAN MARQUEZ	3-1-97	TITLE:	
CHK: BAILEY FONG		SCHEMATIC DIAGRAM MAIN POWER	
CHK:		DWG NO. 16226335	REV. B
CHK:		FILE NAME: LOWCOST/PRODUCTION/333	
APP: SUNG CHUNG	SIZE: D	SHEET 1 OF 2	

8

7

6

5

REVISIONS: 0001 PROPRIETARY  
UNREVISIONED 01 REQUIRED REFERENCE: 1191  
ASSEMBLY REQ. SEE - ALL RIGHTS RESERVED

PER PERIOD OF MANUFACTURING			
WARRANTY COMPLIANCE	TOTAL TESTS	PIC PROVISIONS	TOTAL TESTS
			1
TOTAL ON DRAWING			1
LAST NUMBER USED			0

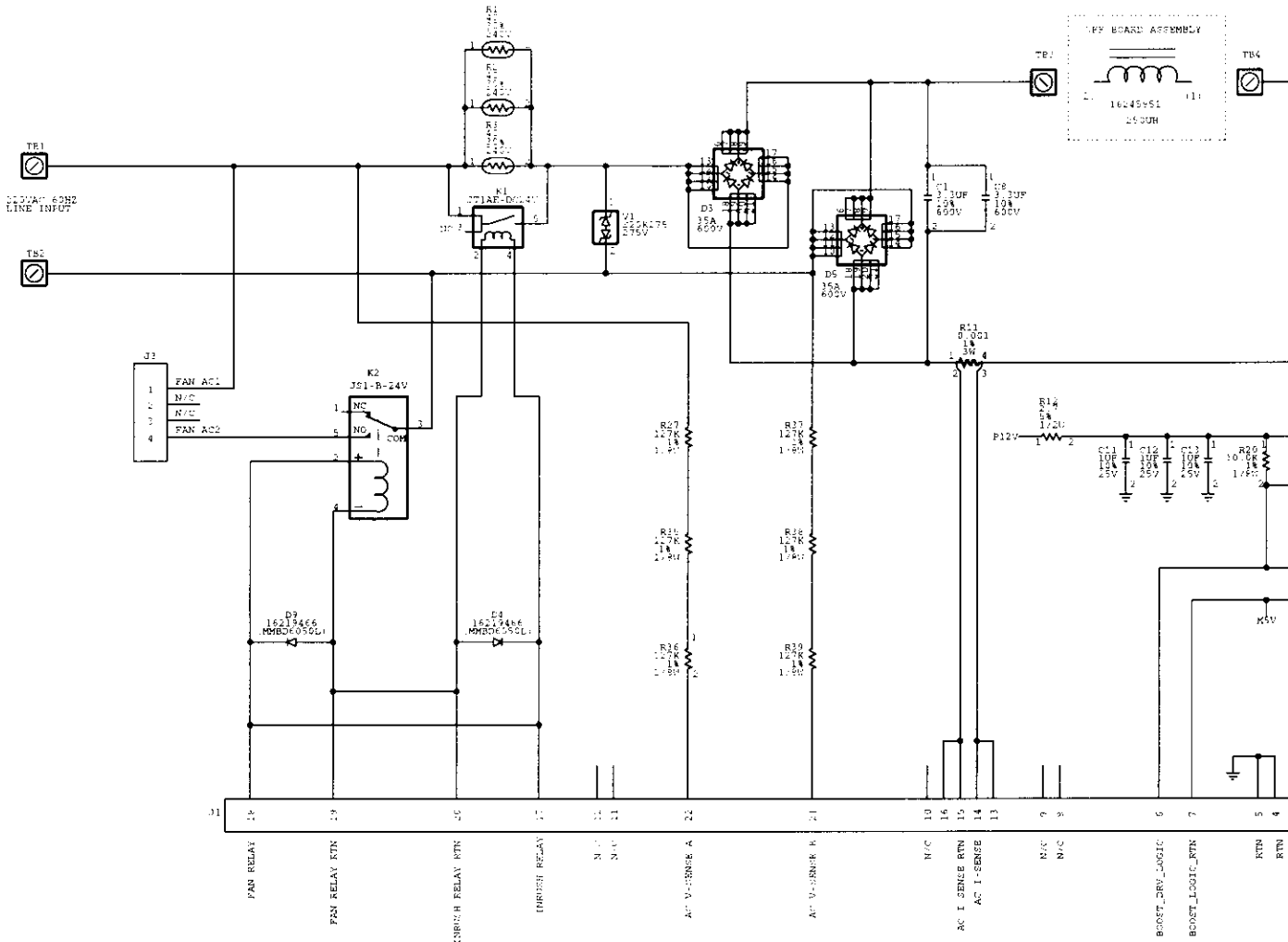
FCC ID: NZM0603TR

D

C

B

A



- NOTES:
- 1. INSTALL HEAT SINKS TO TRANSISTORS Q103, Q104 AND Q107  
HEAT SINK PART NUMBER IS 5799C1B31300
  - 2. INSTALL HEAT SINKS TO TRANSISTORS Q105, Q106, Q110, Q111 AND Q112  
HEAT SINK PART NUMBER IS 5799C1B31300
  - 3. SEE 10000000 FOR PCB.
  - 4. SEE 10000000 FOR ASBY DRG.
  - 5. ALL CAPACITORS ARE + -10% UNLESS OTHERWISE SPECIFIED

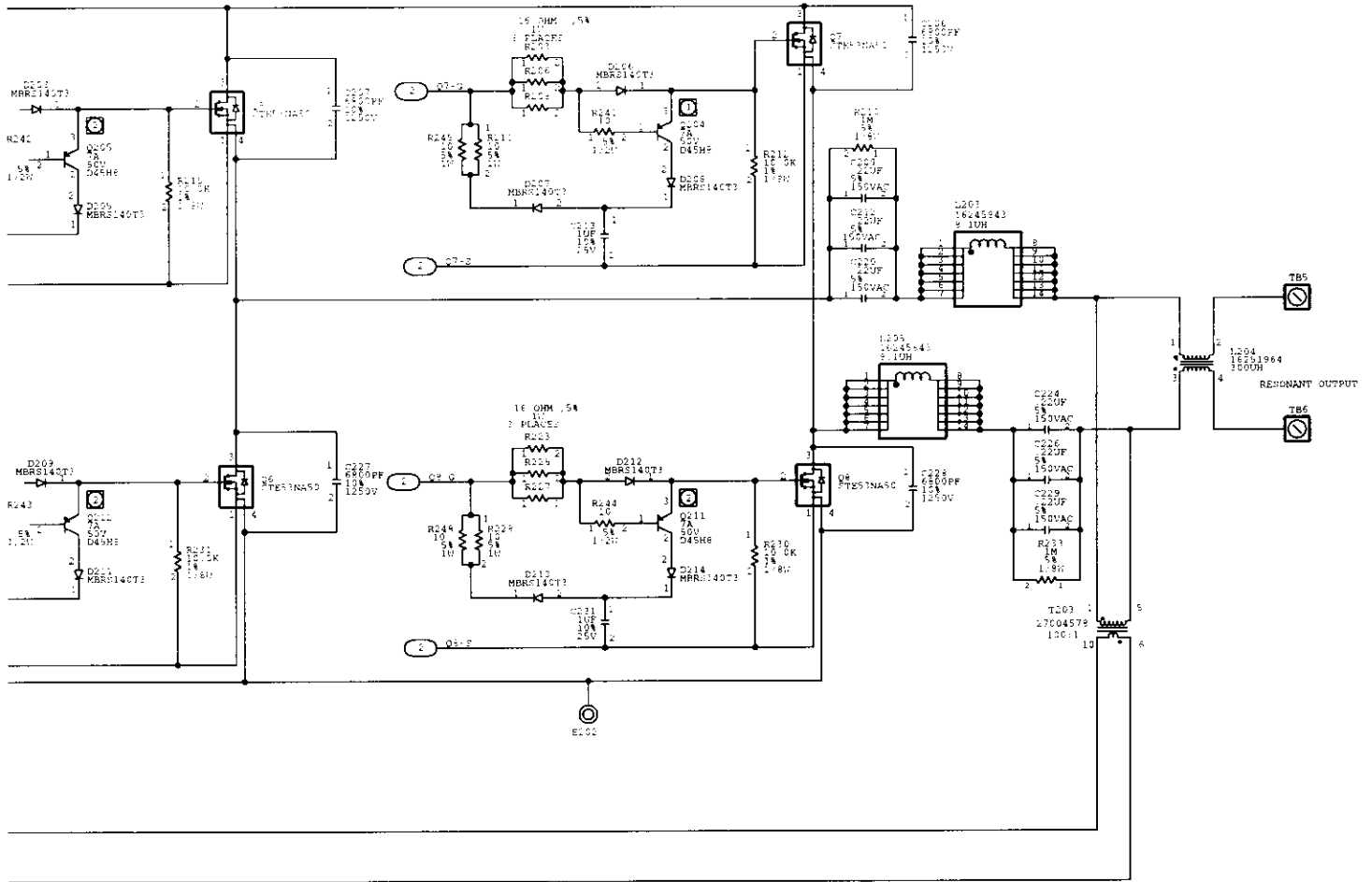
8

7

6

5

FCC ID: NZM0603TR



DRAWING: 162 May 11 11:53 AM 1998		TITLE: SCHEMATIC DIAGRAM: MAIN POWER	
NUCLEON AIRCRAFT COMPANY POWER CONTROL SYSTEMS TORRANCE, CALIFORNIA		DWG NO: 16236332	REV: B
SIZE: D			SHEET 2

8

7

6

5

SCHEMATIC IS PRELIMINARY  
PLEASE REFER TO SHEET 1

FCC ID: NZM0603TR

D

C

B

A

