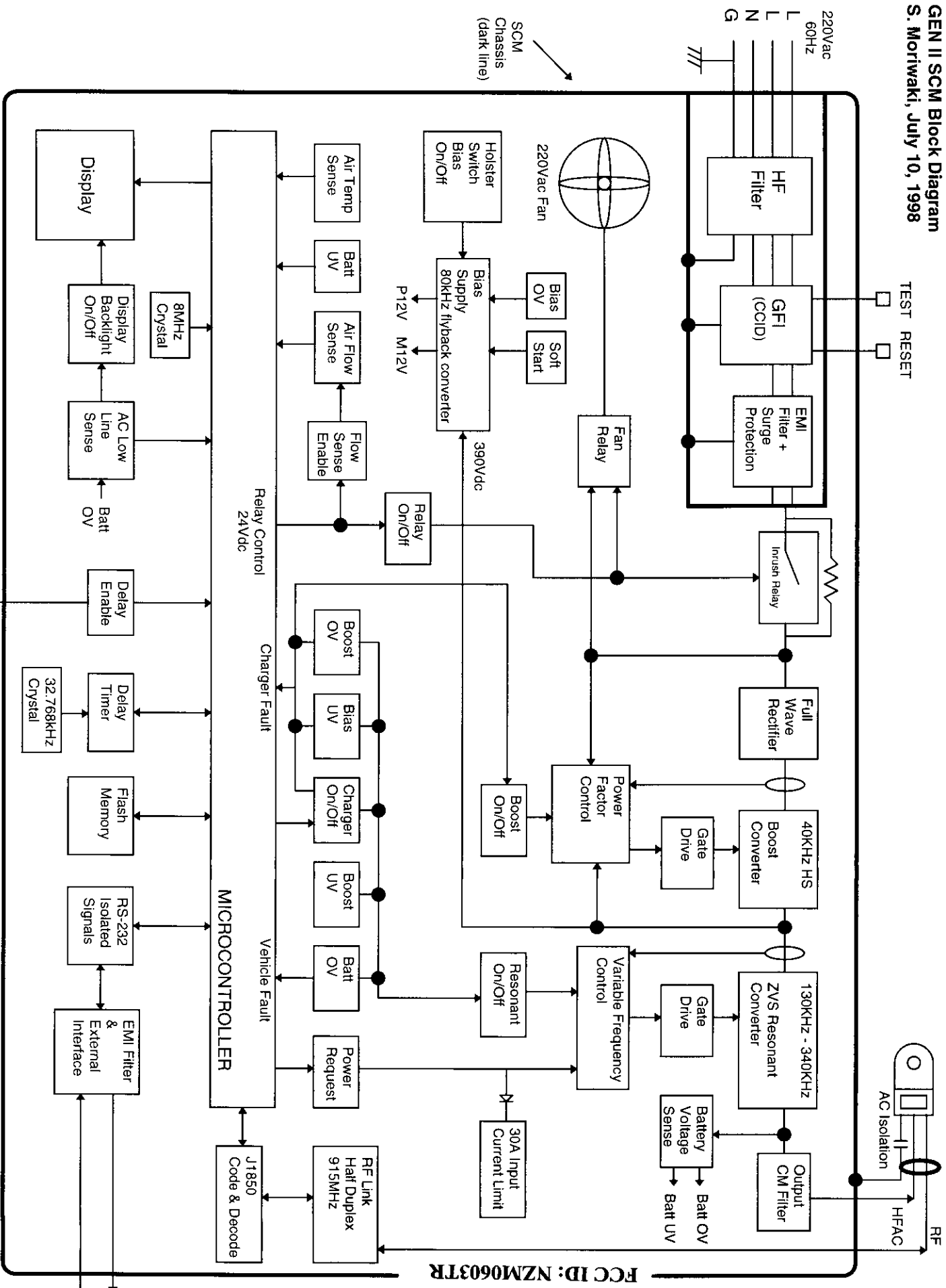


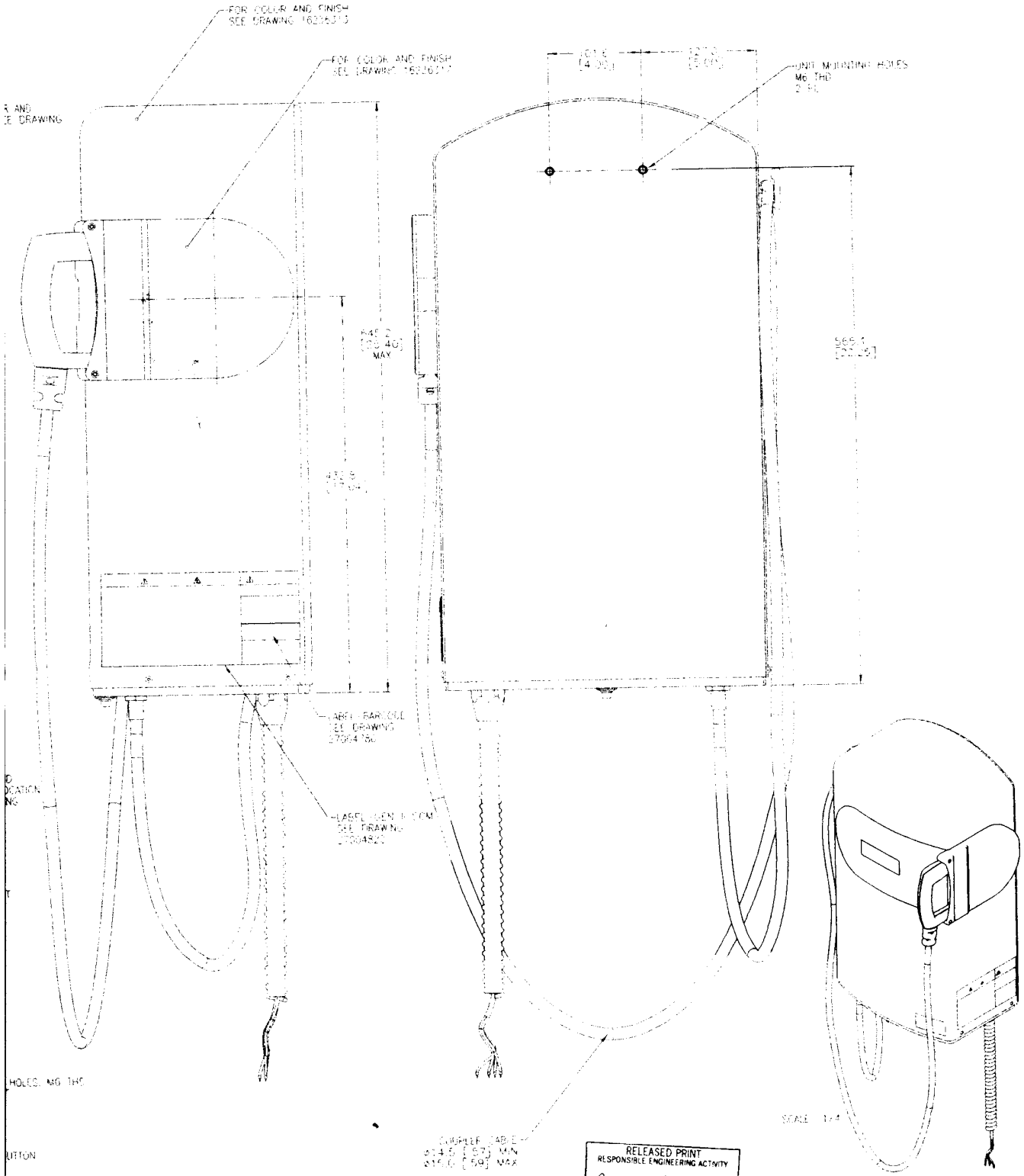
GEN II SCM Block Diagram
S. Moriwaki, July 10, 1998



FCC ID: NZM0603TR

Delay Burton

REVISING		DATE	APPROVED
REV	DESCRIPTION		
	REWORK WITH CHANGE, SEE REV NOTICE	6/2/98	[Signature]

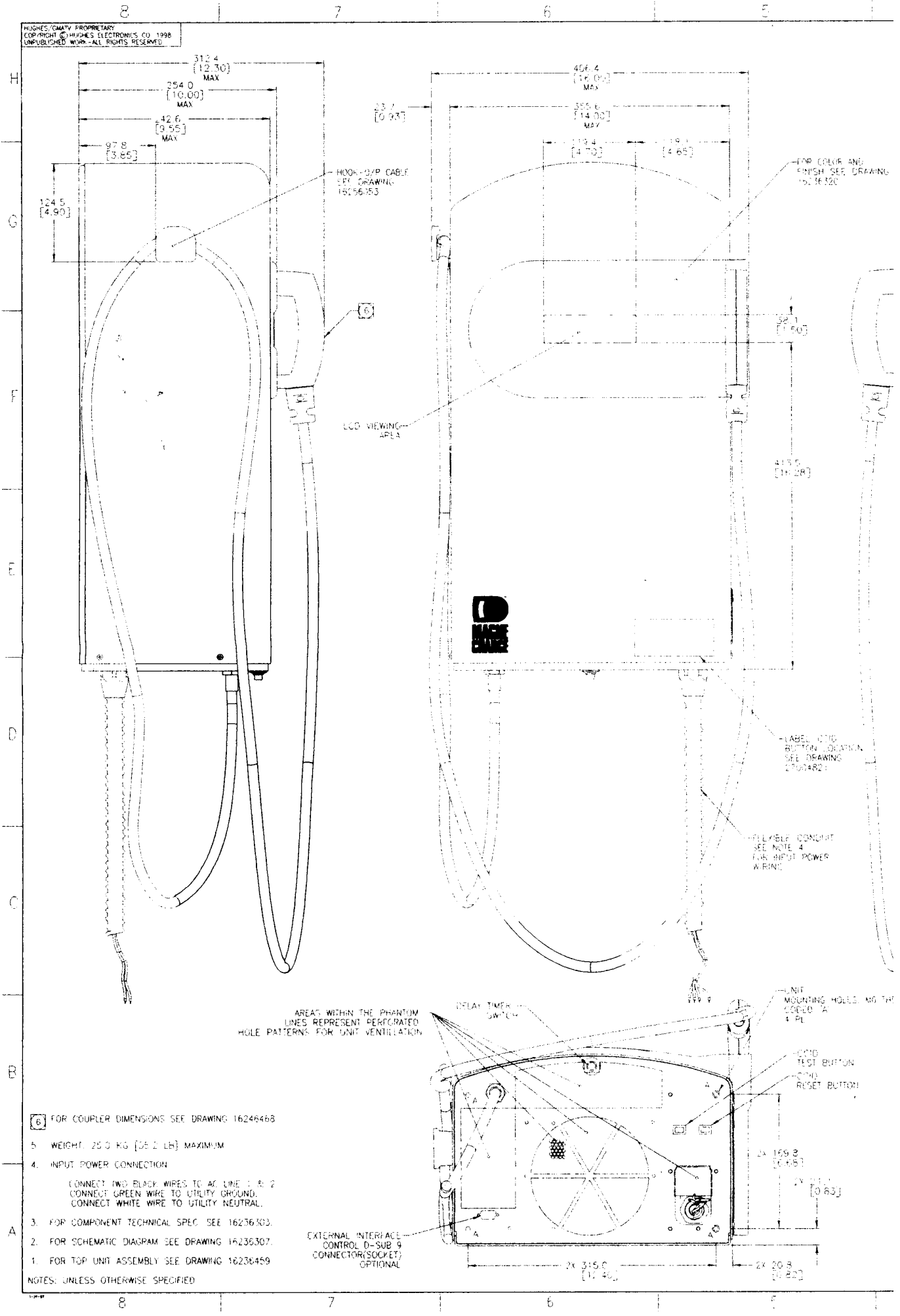


RELEASED PRINT
RESPONSIBLE ENGINEERING ACTIVITY
GEN II SEM
REA ORG CODE
C
REV 16/30/98
REL DATE 16/30/98
REC BY [Signature]

REV	DESCRIPTION	DATE	ZONE	FIG NO
	POWER CONTROL SYSTEMS TORRANCE, CALIFORNIA			
	INSTALLATION CONTROL DRAWING - GEN II SEM			
	16236300			
	SCALE 1/2"			

KEY PRODUCT CHARACTERISTICS			
SAFETY/ COMPLIANCE	TOTAL P/C	REV/ FUNCTION	TOTAL I/F
0	0	0	0
TOTAL ON DRAWING	0		
LAST NUMBER USED	0		

33]



- 6 FOR COUPLER DIMENSIONS SEE DRAWING 16246468
- 5 WEIGHT: 25.0 KG [55.2 LB] MAXIMUM
- 4. INPUT POWER CONNECTION
 (CONNECT TWO BLACK WIRES TO AC LINE 1 & 2
 CONNECT GREEN WIRE TO UTILITY GROUND.
 CONNECT WHITE WIRE TO UTILITY NEUTRAL.
- 3. FOR COMPONENT TECHNICAL SPEC. SEE 16236303.
- 2. FOR SCHEMATIC DIAGRAM SEE DRAWING 16236307.
- 1. FOR TOP UNIT ASSEMBLY SEE DRAWING 16236459

NOTES: UNLESS OTHERWISE SPECIFIED

AREAS WITHIN THE PHANTOM LINES REPRESENT PERFORATED HOLE PATTERNS FOR UNIT VENTILATION

EXTERNAL INTERFACE CONTROL D-SUB 9 CONNECTOR(SOCKET) OPTIONAL

FOR COLOR AND FINISH SEE DRAWING 16236320

LABEL, CTO BOTTOM LOCATION SEE DRAWING 27004821

FLEXIBLE CONDUIT SEE NOTE 4 FOR INPUT POWER WIRING

UNIT MOUNTING HOLES AND THE CODED "A" 4 PL

COID TEST BUTTON
 COID RESET BUTTON