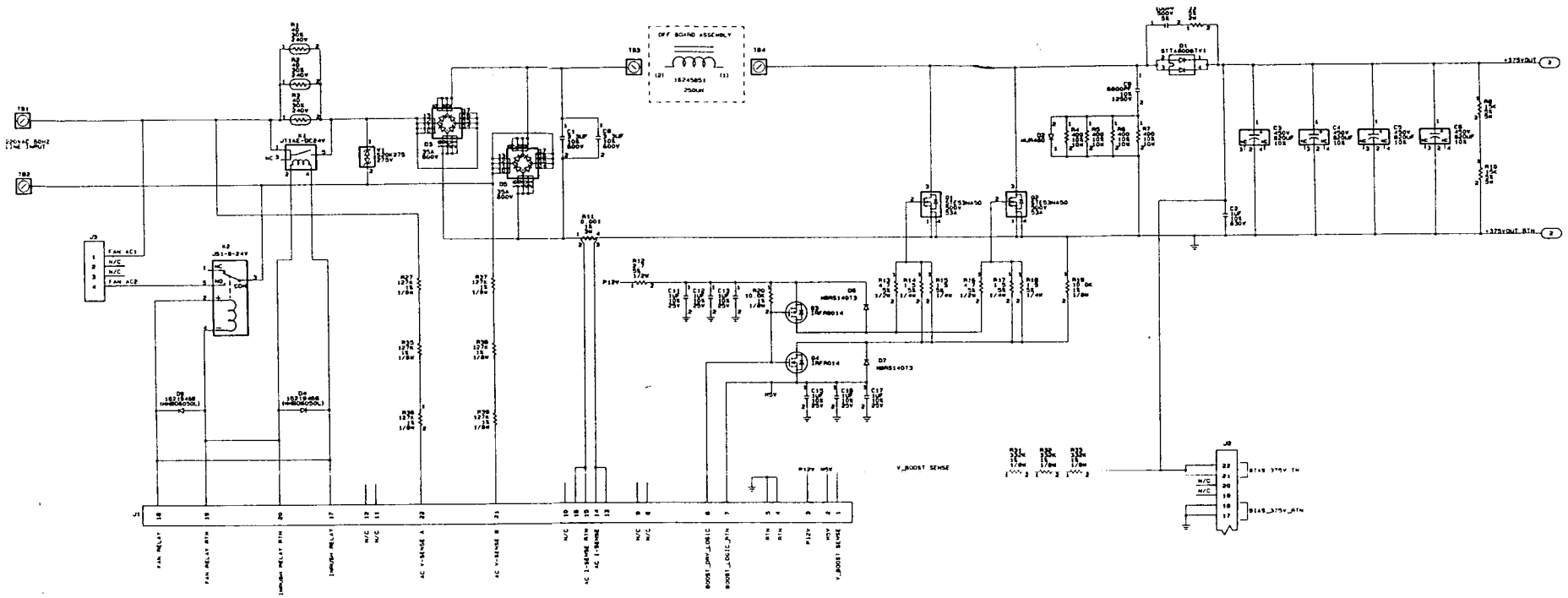


UNLESS OTHERWISE SPECIFIED
 COPYRIGHT © HARRIS ELECTRONICS 1988
 UNPUBLISHED WORK - ALL RIGHTS RESERVED.

KEY PRODUCT CHARACTERISTICS			
SAFETY COMPLIANCE	TEMP. RANGE	REL. HUMIDITY	YR/PA
TOTAL ON DRAWING			
LAST NUMBER USED			

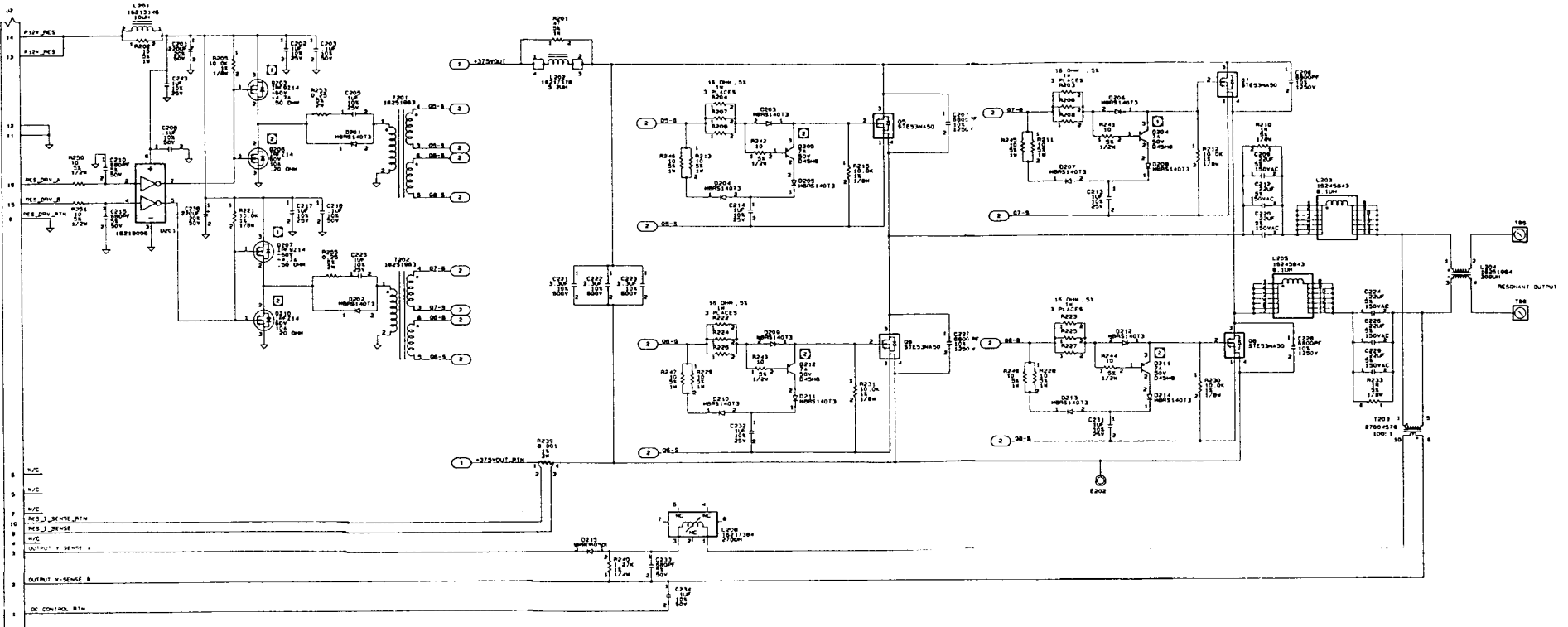
REV.	DESCRIPTION	DATE	APPROVED
1	REVISED		



- NOTES:
- INSTALL HEAT SINKS TO TRANSISTORS Q202, Q204 AND Q207.
HEAT SINK PART NUMBER IS 5798229/3300.
 - INSTALL HEAT SINKS TO TRANSISTORS Q205, Q206, Q210, Q211, AND Q212.
HEAT SINK PART NUMBER IS 5798229/3300.
 - SEE 18229337 FOR PWB.
 - SEE 18229336 FOR ASSY CHG.
 - ALL CAPACITORS ARE .1% UNLESS OTHERWISE SPECIFIED.

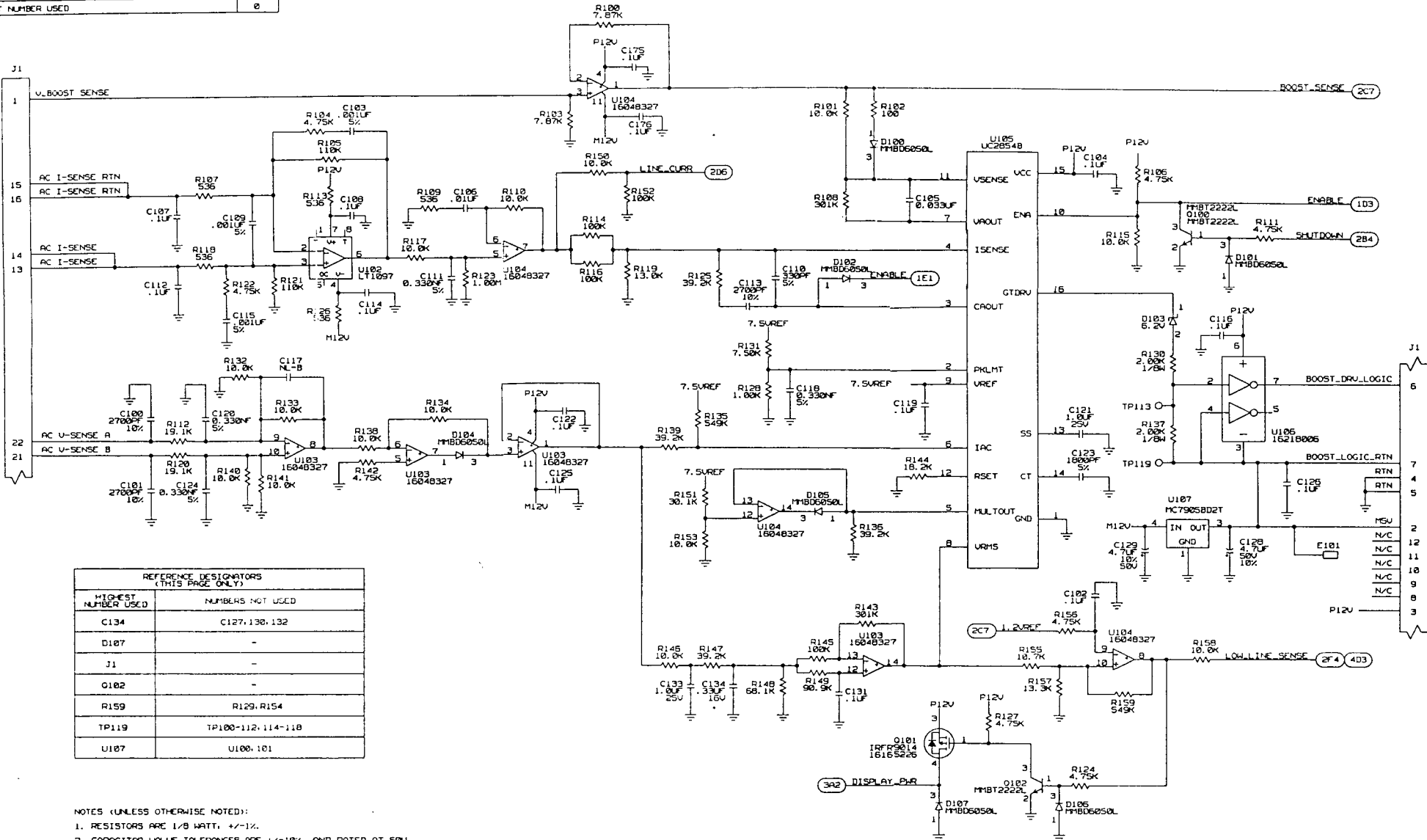
RELEASED PRINT
 REPRODUCIBLE FROM THIS ACTIVITY
 GENIUS
 REV. 000000
 1874001

DRAWING: P-11 Rev. 1 10 30 08 1988		POWER CONTROL SYSTEMS		TORRANCE, CALIFORNIA	
CONTRACT:	DATE:	3-1-87	TITLE:	SCHEMATIC DIAGRAM	
DRW. DESK NUMBER:	DRW. DATE:		DRW. NO.:	18229338 REV. 0	
CHK.:	CHK. BY:		FILE NAME:	L18C01SCH/PRODCT1108238	
DATE:	DATE:		SIZE:	D	
APP. NAME:	CHK. NAME:			SHEET 1 OF 2	



REVISIONS					
EFF	AUTHORITY	REV	DESCRIPTION	DATE	APPROVED
		A	INITIAL POC RELEASE		

KEY PRODUCT CHARACTERISTICS			
SAFETY COMPLIANCE	TOTAL S/C	FIT/FUNCTION	TOTAL P/F
⊕	0	⊕	0
TOTAL ON DRAWING			0
LAST NUMBER USED			0



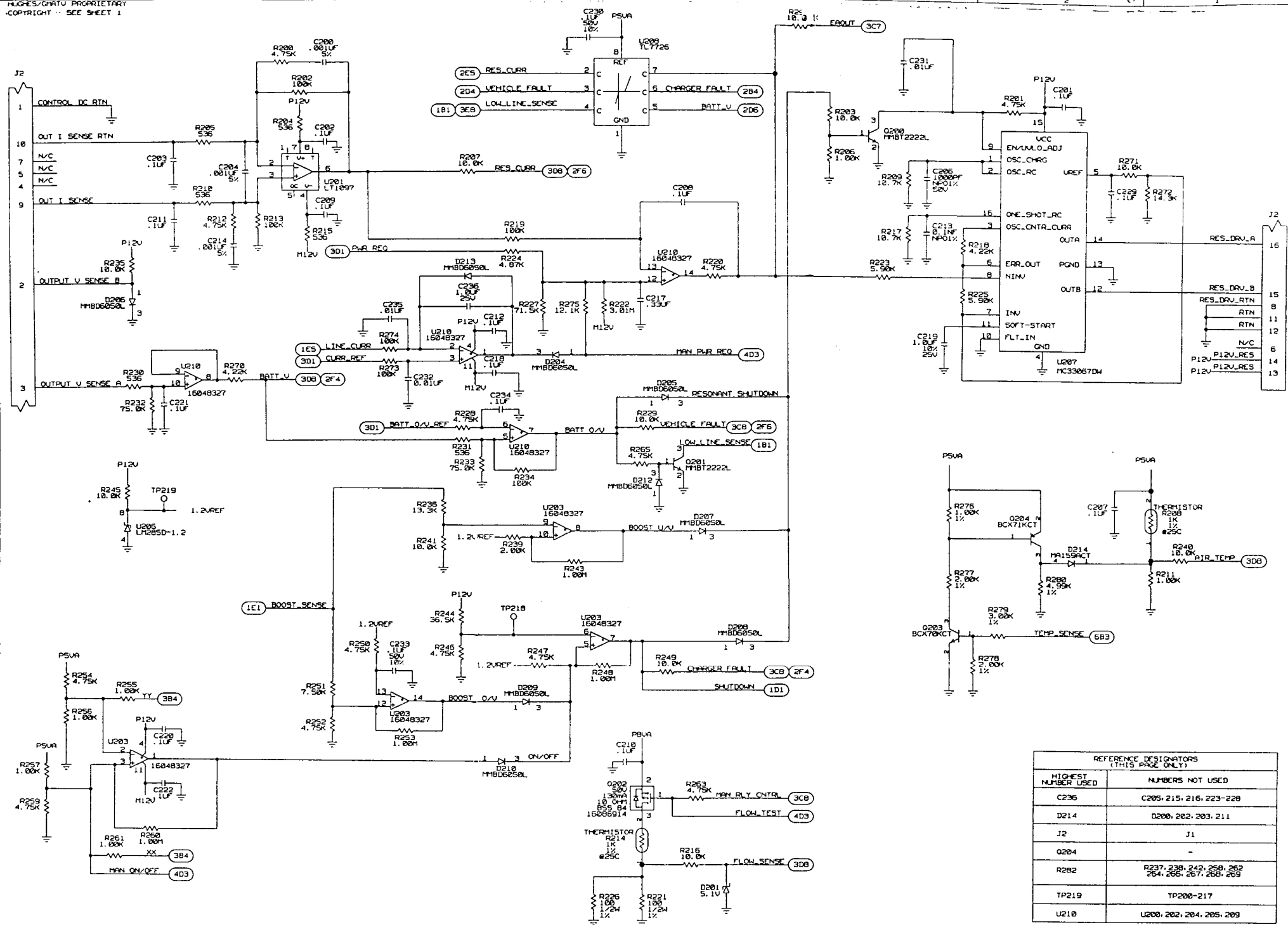
REFERENCE DESIGNATORS (THIS PAGE ONLY)	
HIGHEST NUMBER USED	NUMBERS NOT USED
C134	C127, 130, 132
D107	-
J1	-
Q102	-
R159	R129, R154
TP119	TP100-112, 114-118
U107	U100, 101

- NOTES (UNLESS OTHERWISE NOTED):
1. RESISTORS ARE 1/8 WATT, +/-1%.
 2. CAPACITOR VALUE TOLERANCES ARE +/-10% AND RATED AT 50V.
 3. FOR PWB DRAWING SEE 27005257.
 4. FOR ASSEMBLY DRAWING SEE 27005258.
 5. COMPONENTS INDICATED AS 'NL' OR 'NL-B' ARE NOT INSTALLED.

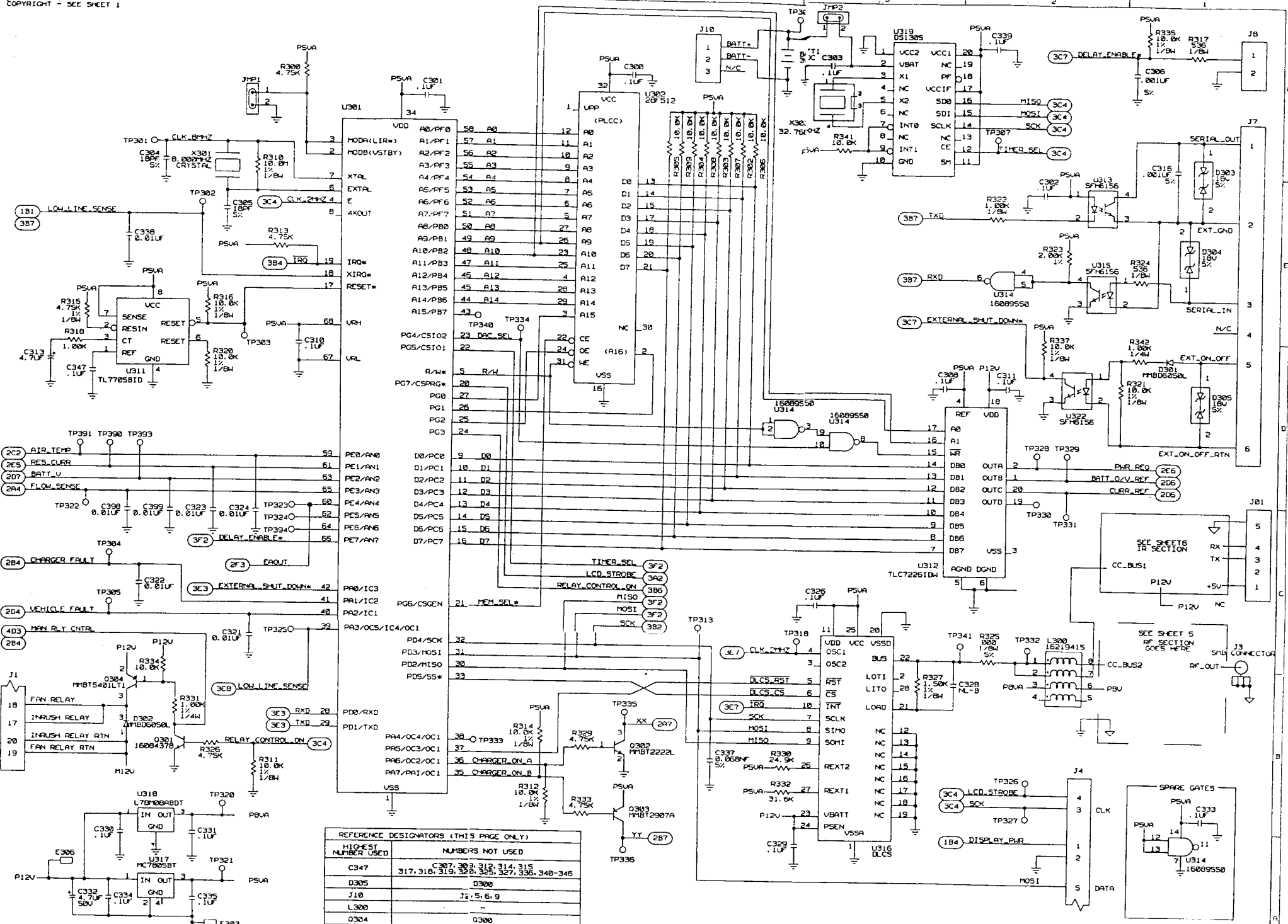
RELEASED FROM RESPONSIBLE ENGINEERING ACTIVITY
 T-COMMON
 HLA OMC CODE
 A/B 1/10/01

DRAWING: Mon Feb 21 06:32:00 2000

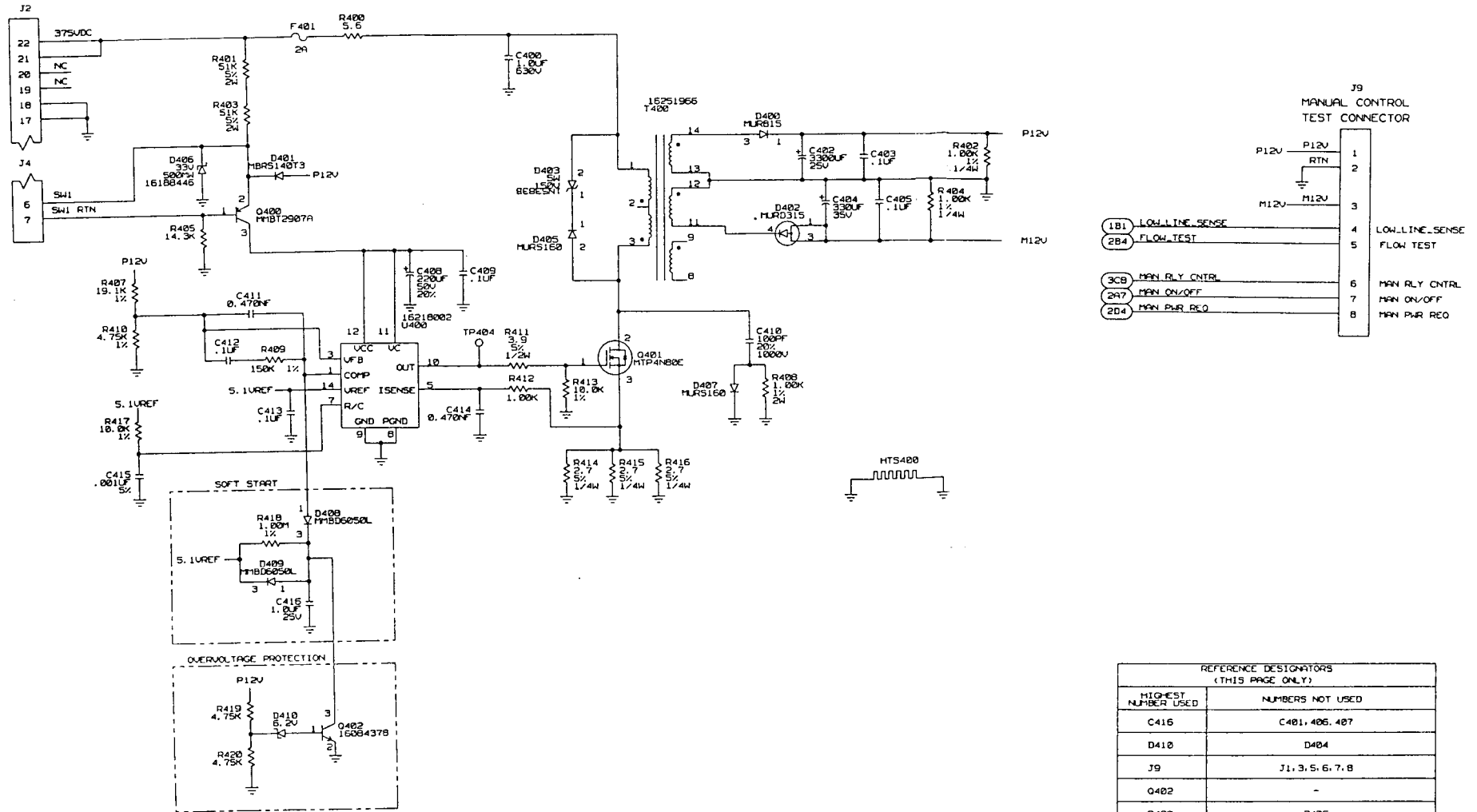
HUGHES ELECTRONICS		POWER CONTROL SYSTEMS		TORRANCE, CALIFORNIA	
CONTRACT:	DATE	SCHEMATIC DIAGRAM			
DWG: R. E. GONZALES	2/21/00	TITLE:		SCHEMATIC DIAGRAM: GEN2 CONTROLLER DUAL SPEAK	
CHK: E. HSU	1/11/01	CHK: J. CHANG		DWG NO: 27005253	
CHK: J. CHANG	1/11/01	CHK: J. CHANG		REV: A	
CHK: J. CHANG	1/11/01	CHK: J. CHANG		FILE NAME: HPA0022/TCOM/27005253	
CHK: J. CHANG	1/11/01	CHK: J. CHANG		SHEET 1 OF 6	



REFERENCE DESIGNATORS (THIS PAGE ONLY)	
HIGHEST NUMBER USED	NUMBERS NOT USED
C236	C205, 215, 216, 223-228
D214	D200, 202, 203, 211
J2	J1
Q204	-
R262	R237, 238, 242, 258, 262, 264, 265, 267, 268, 269
TP219	TP200-217
U210	U200, 202, 204, 205, 209

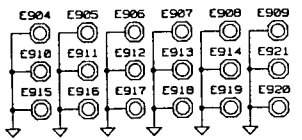
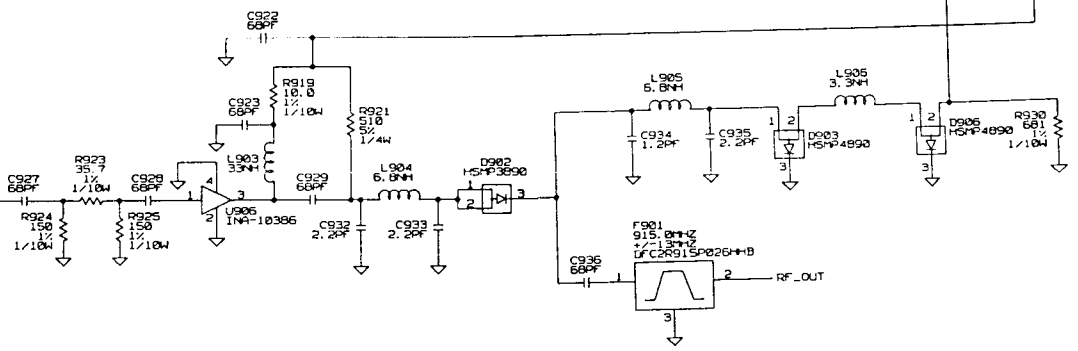
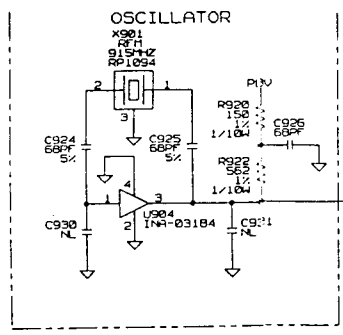
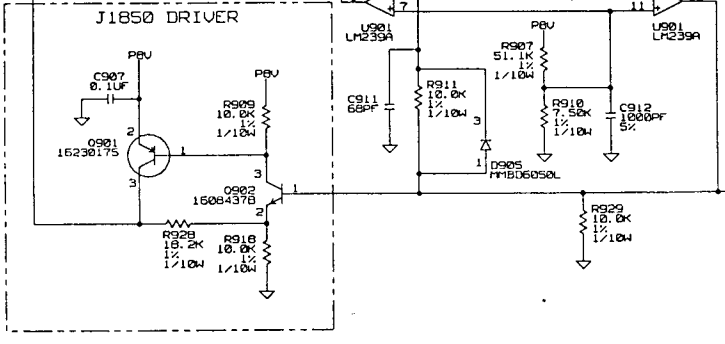
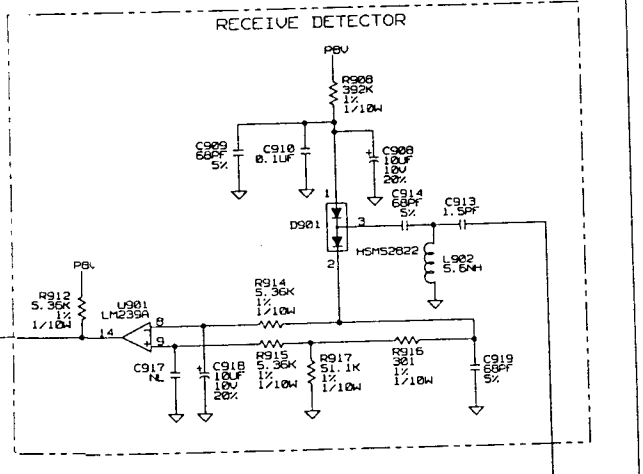
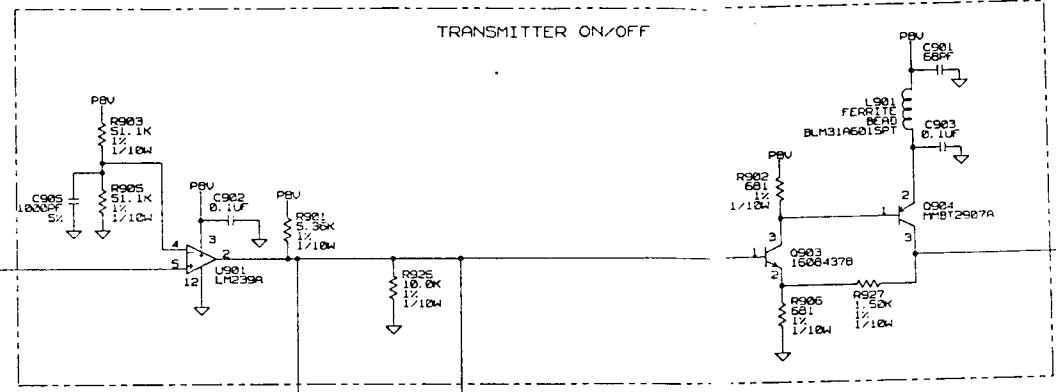


REFERENCE DESIGNATORS (THIS PAGE ONLY)	
HIGHEST NUMBER USED	NUMBERS NOT USED
C347	C307, 303, 312, 314, 315
D305	317, 318, 319, 320, 325, 327, 336, 340-346
J10	J2, 5, 6, 9
L300	
Q304	Q300
R342	R301, 319, 320, 336, 338-340
U322	U300, 303, U304, 305, 306, 307, 308, 313, 316, 320, 321

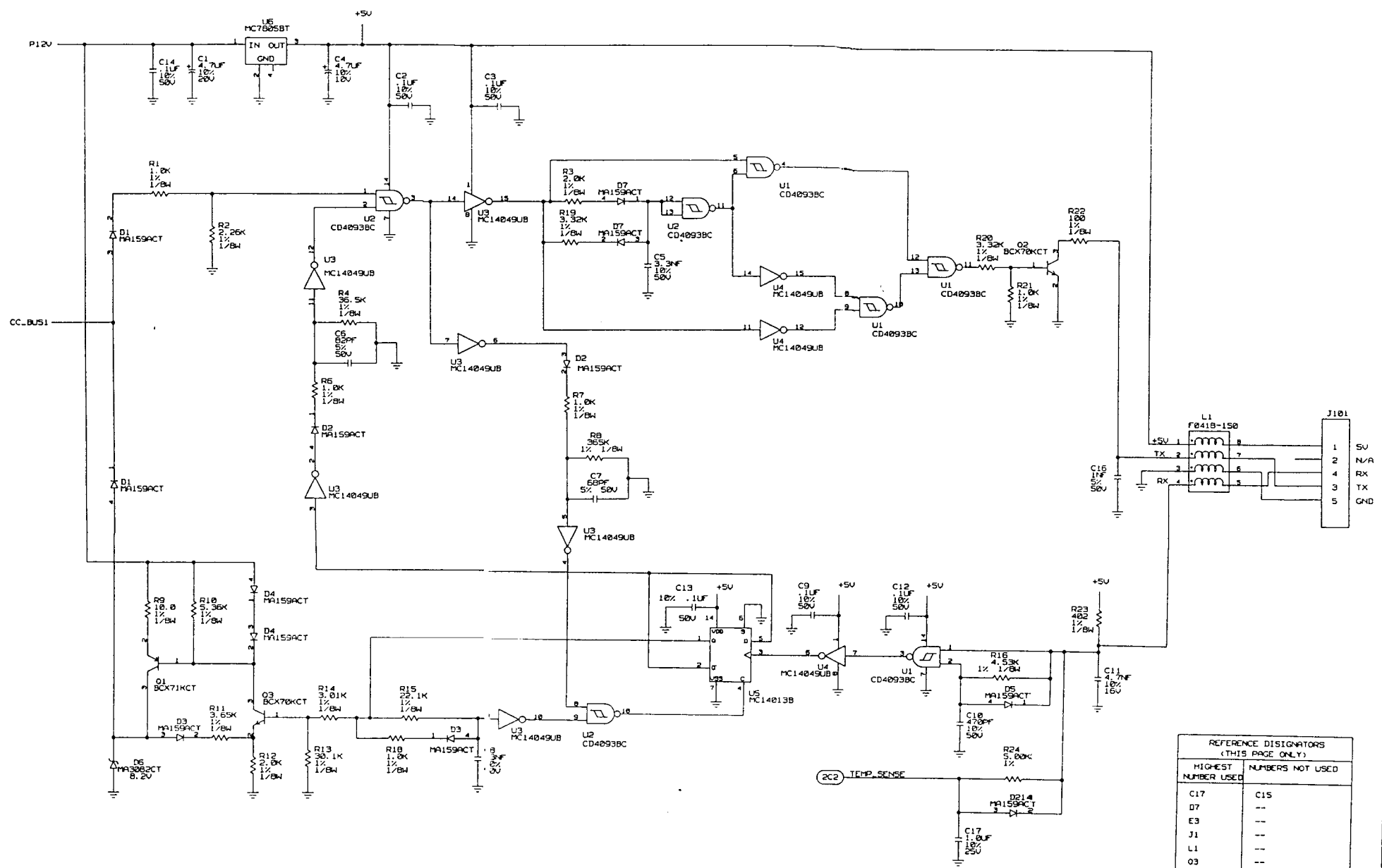


REFERENCE DESIGNATORS (THIS PAGE ONLY)	
HIGHEST NUMBER USED	NUMBERS NOT USED
C416	C401, 406, 487
D410	D404
J9	J1, 3, 5, 6, 7, 8
Q402	-
R420	R406
U400	-
T400	-

DRAWING: Tue Feb 01 08:35:19 2000	
HUGHES ELECTRONICS POWER CONTROL SYSTEMS TORRANCE, CALIFORNIA	TITLE: GEN2 CONTROLLER DUAL SPEAK DWG NO: 27005263 SIZE: C
REV: A	SHEET 4



HIGHEST REF DES USED	REF DES NOT USED
C936	C900, 904, C916
D906	D900
E921	E901, E902, E903
F901	F900
-	-
L906	L900
R930	R900, 913
Q904	Q900
U905	U900, 902, 903, 905
X901	X900

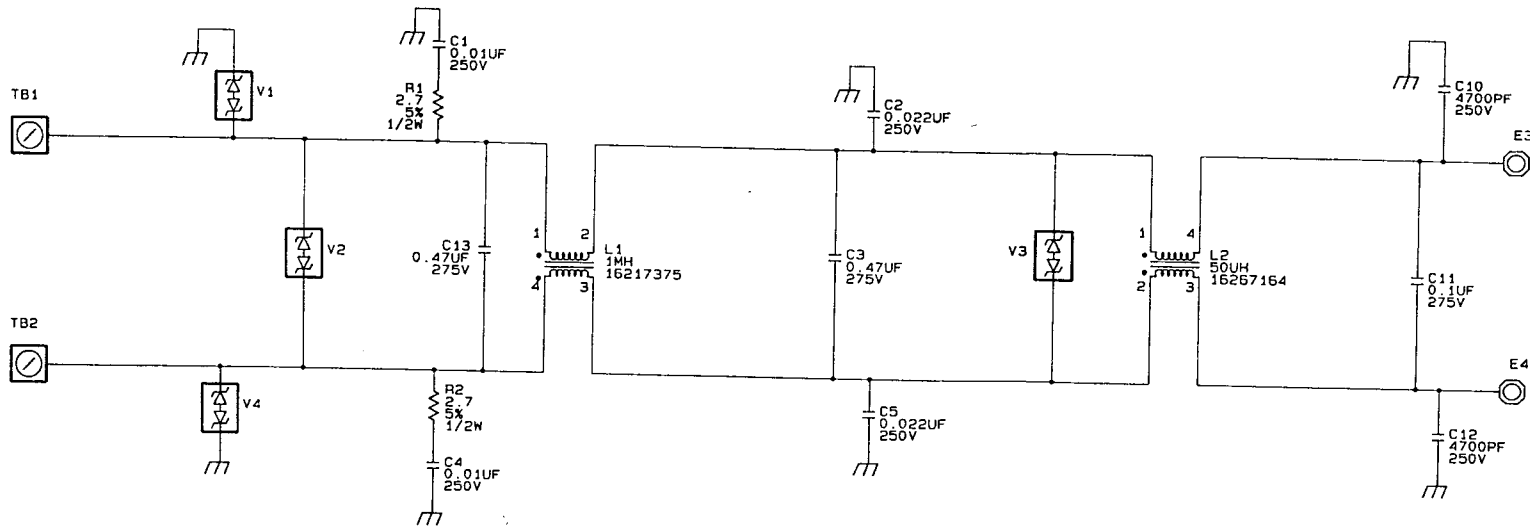


REFERENCE DESIGNATORS (THIS PAGE ONLY)	
HIGHEST NUMBER USED	NUMBERS NOT USED
C17	C15
D7	
E3	
J1	
L1	
Q3	
R24	R5, R17
U6	

HUGHES/GMATV PROPRIETARY
 COPYRIGHT © HUGHES ELECTRONICS 1998
 UNPUBLISHED WORK - ALL RIGHTS RESERVED.

REVISIONS					
EFF	AUTHORITY	REV	DESCRIPTION	DATE	APPROVED
		A	INITIAL PRODUCTION RELEASE		

KEY PRODUCT CHARACTERISTICS			
SAFETY/ COMPLIANCE	TOTAL S/C	FIT/ FUNCTION	TOTAL F/F
	0		0
TOTAL ON DRAWING			0
LAST NUMBER USED			0



NOTES

1. FOR PWB DRAWING SEE 16252180
2. FOR ASSEMBLY DRAWING SEE 16252179.
3. ALL CAPACITORS ARE +/-10% UNLESS OTHERWISE SPECIFIED.

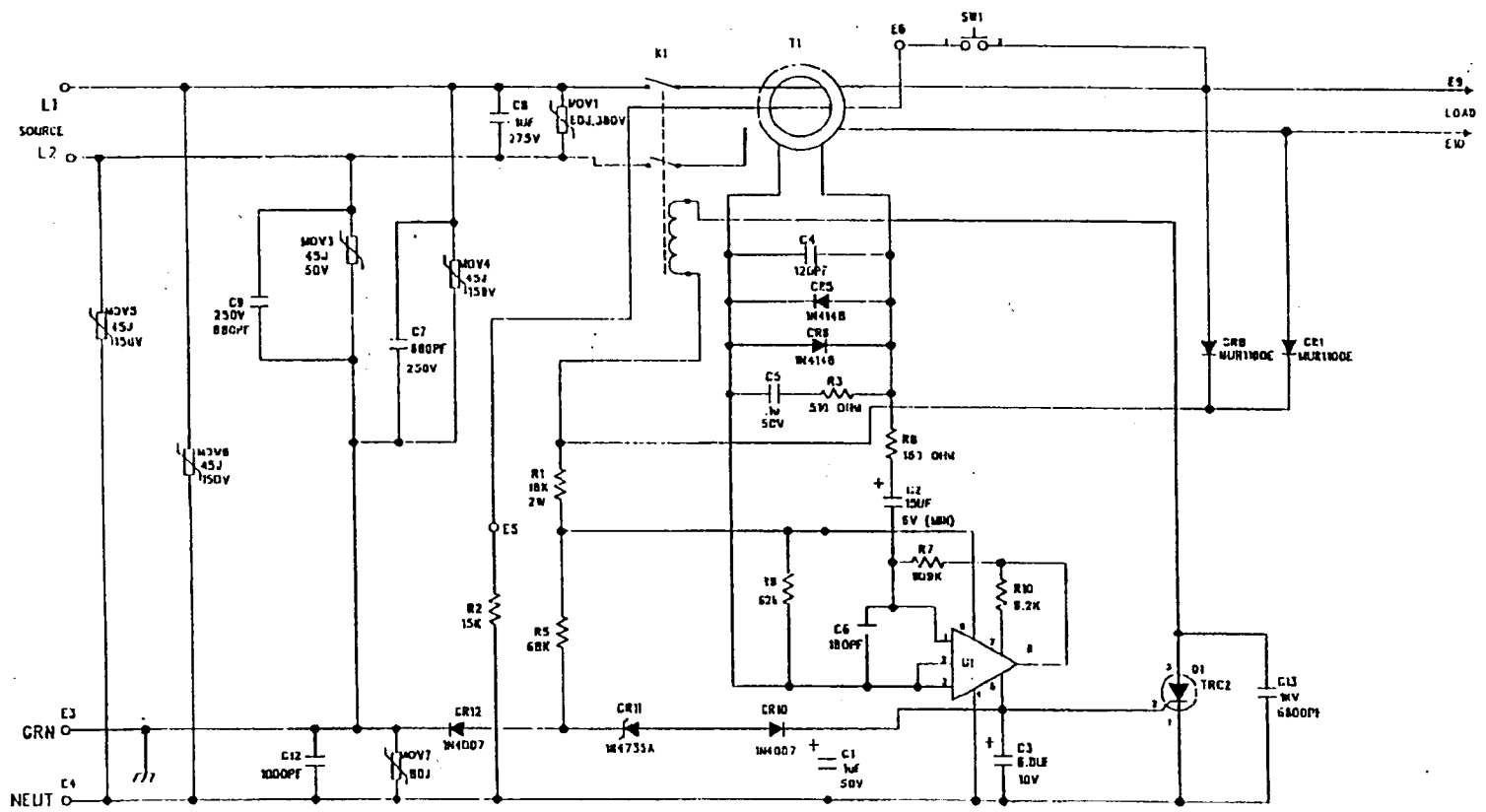
RELEASED PRINT
 RESPONSIBLE ENGINEERING ACTIVITY
Gen. J. Sem
 REA ORG CODE
 4/10/98
 DATE

DRAWING: Mon Mar 30 05:12:44 1998

HUGHES AIRCRAFT COMPANY		POWER CONTROL SYSTEMS		TORRANCE, CALIFORNIA	
CONTRACT:	DATE:	SCHEMATIC DIAGRAM			
DWN: MARIE EVANS	3/30/98	TITLE: SCHEMATIC DIAGRAM INPUT FILTER			
CHK: BAILEY FONG		DWG NO: 16252181		REV: A	
CHK:		FILE NAME: LOWCOSTSCM/PRODUCTION2181			
CHK:		APVD: SUNG CHUNG	3/30/98	SIZE: B	SHEET 1 OF 1

THIS DOCUMENT IS SUPPLIED BY TECHNOLOGY RESEARCH CORP. ON THE UNDERSTANDING THAT IT IS STRICTLY CONFIDENTIAL AND MAY NOT BE REPRODUCED OR UTILIZED IN ANY WAY WITHOUT THE PRIOR WRITTEN PERMISSION OF THE COMPANY.

REVISIONS				
2346	REV	DESCRIPTION	DATE	APPROVED
	A	RELEASE TO PRODUCTION ECM 6237	10/31/97	F.S. BAUGHER
	B	REVISED FOR 8708 M.B.	7/13/98	J. RICCIO
	C	CHG PER ECM 6963	8/9/98	J. RICCIO
	D	CHG PER ECM 7167	7/13/98	J. RICCIO



NOTE:
1. ALL RESISTORS ARE 1/4W EXCEPT AS NOTED.

		UNLESS OTHERWISE SPECIFIED DIMENSIONS ARE IN INCHES TOLERANCES FRACTIONAL ANGLES 3 PLACE DECIMALS 2 PLACE DECIMALS		CONTRACT NO.		TECHNOLOGY RESEARCH CORP CLEARWATER, FLORIDA	
		MATERIAL		DRAWN M. J. MARIAN		DATE 5/28/97	
		FINISH		DESIGNED		WILL	
		NEXT ASSY.		CHECKED		E.V. LEVEL 2, 240V, 4 WIRE 32 AMP, CCID	
		USED ON		PROJECT ENGINEER J. RICCIO		SIZE FSC# NO. C 60177	
		APPLICATION		APPROVED BY F. S. BAUGHER		DWG. NO. 35162	
				DATE 10/31/97		SCALE	
				DATE 10/31/97		SHEET	