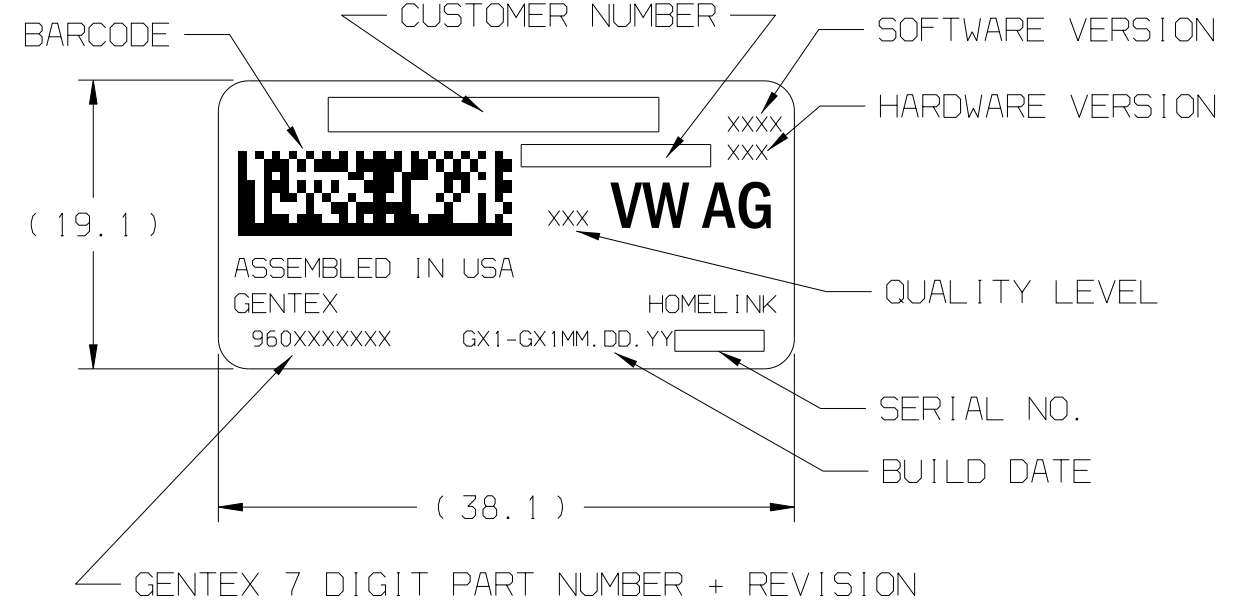
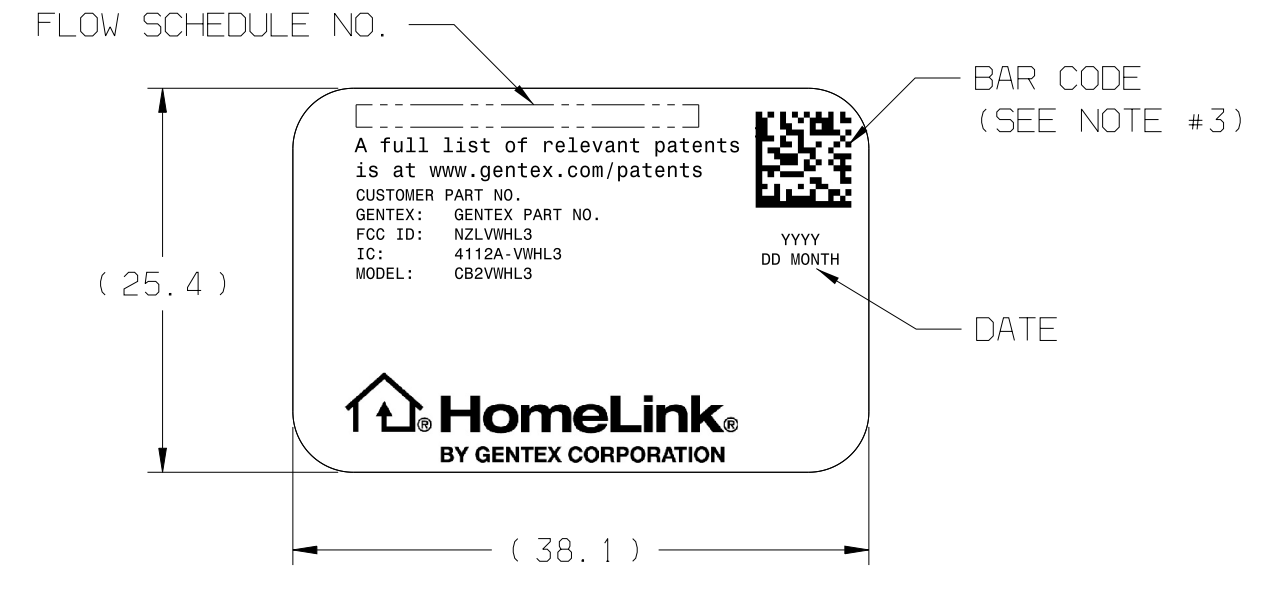


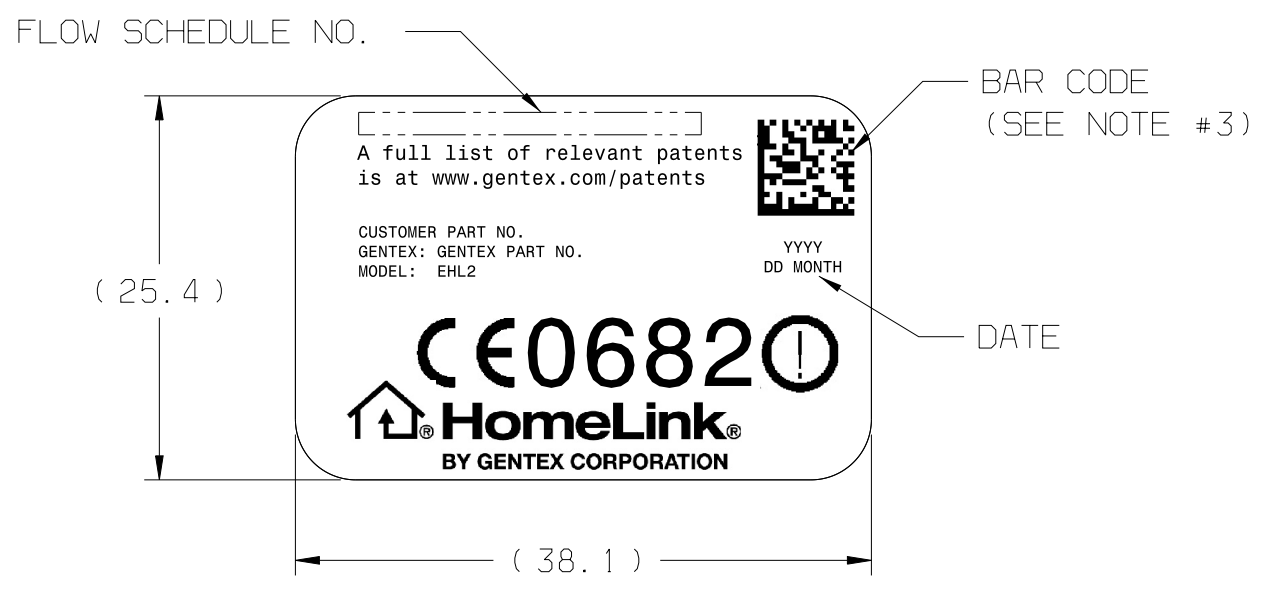
REVISION HISTORY				
REV	DESCRIPTION	BY/DATE	ECO NO.	APPROVED
001	RELEASE FOR REVIEW	KGJ 04/16/14	---	---
002	RELEASE TO GENTEX SYSTEM	KGJ 05/19/14	CEE5101	



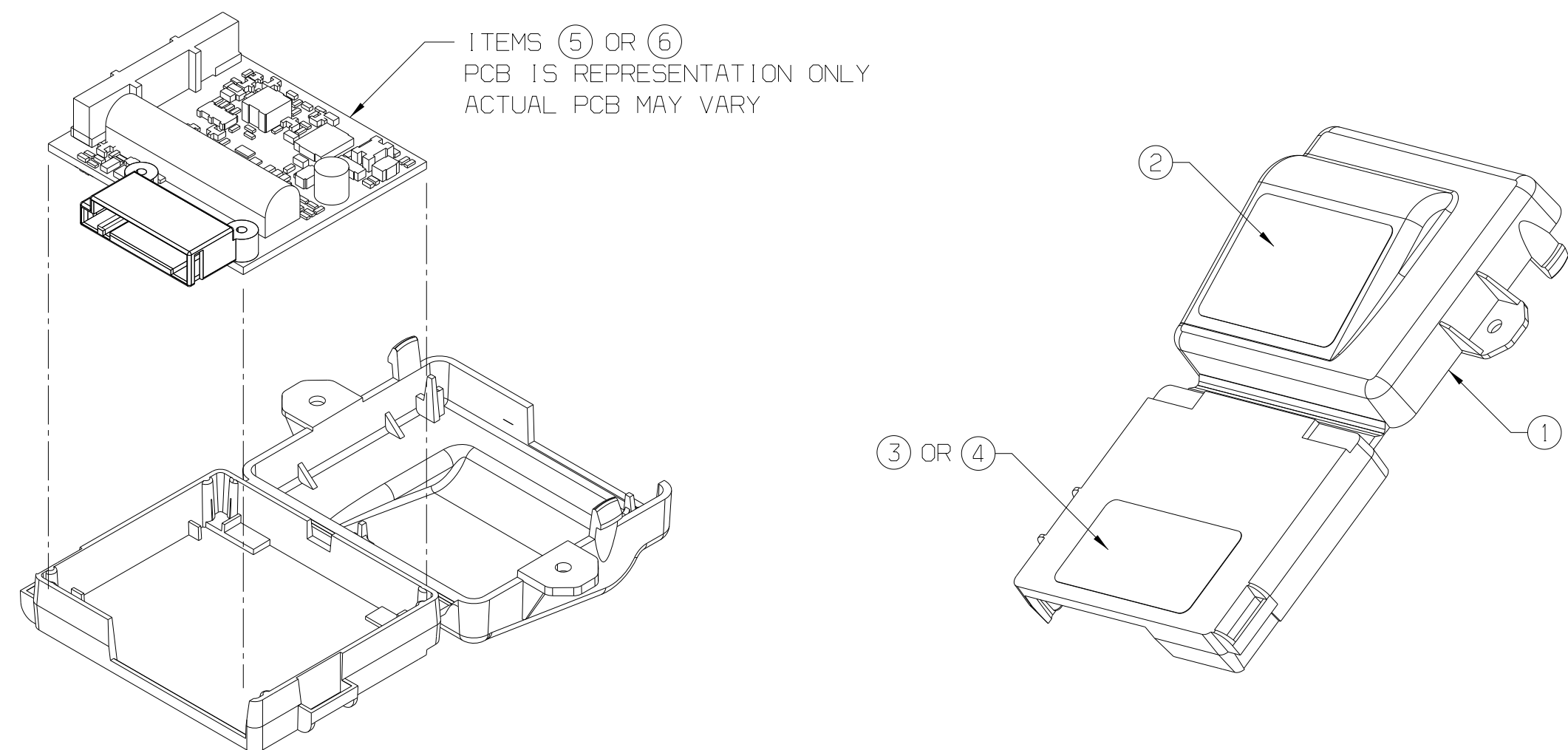
CUSTOMER LABEL 'A' - ITEM 3 OR 4  
SCALE: 2:1  
(LABEL VIEW)



PATENT LABEL 'M' - ITEM 2  
SCALE: 2:1



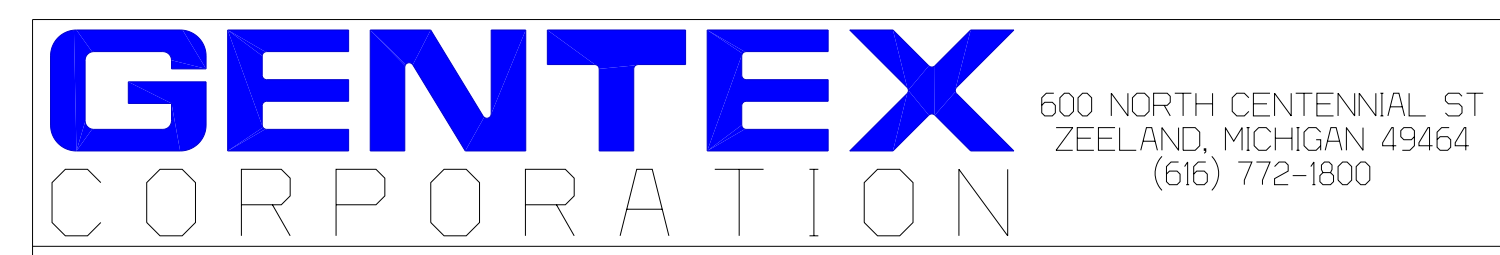
PATENT LABEL 'N' - ITEM 2  
SCALE: 2:1



QTY	QTY	ITEM	DESCRIPTION	GENTEX PART NO.
1	1	6	ET, SA PCB, US HL3 BENTLEY D1 MODUL	605-4775-001
1	1	5	ET, SA PCB, BENTLEY D1 EHL2	605-4771-001
1	1	4	LABEL, HMLK 1.5X0.75 WHITE	375-0905-000
1	1	3	LABEL, HMLK 1.5X0.75 LIGHT BLUE	375-0904-000
1	1	2	LABEL, DATE CODE 1X1.5 WHITE	375-0765-000
1	1	1	HSG, VW D1, HMLK	340-1376-000

QTY	QTY	ITEM	DESCRIPTION	GENTEX PART NO.
1	1	6	ET, SA PCB, US HL3 BENTLEY D1 MODUL	605-4775-001
1	1	5	ET, SA PCB, BENTLEY D1 EHL2	605-4771-001
1	1	4	LABEL, HMLK 1.5X0.75 WHITE	375-0905-000
1	1	3	LABEL, HMLK 1.5X0.75 LIGHT BLUE	375-0904-000
1	1	2	LABEL, DATE CODE 1X1.5 WHITE	375-0765-000
1	1	1	HSG, VW D1, HMLK	340-1376-000

- NOTES:
- INDIVIDUAL COMPONENTS ON PCB ASSEMBLY ARE FOR REFERENCE ONLY.
  - ADHESIVE LABEL FORMAT AND INFORMATION IS TO MATCH AS SHOWN IN THE LABEL VIEW(S) AND BOM.
  - THE BAR CODE CONTAINS THE FOLLOWING; GENTEX PART NO., THREE DIGITS FOR TESTER AND AN 8-DIGIT SERIAL NO. AN EXAMPLE IS BELOW; 960006000100012345678
  - ASSEMBLY MUST COMPLY TO TEST SPECIFICATION TDE-1770888\_2.
  - PART GEOMETRY REPRESENTED ON THIS PRINT IS FOR REFERENCE ONLY. FOR OFFICIAL PART GEOMETRY REFERENCE INDIVIDUAL PART PRINTS.



TITLE: FINAL ASM, BENTLEY D1 MODULES

REV: 002

SIZE: D

DWG NO: 960-AD

REV: 002

DATE: 4/16/2014

SCALE: 1:1

DATE: 4/16/2014

1 OF 1

THIRD ANGLE PROJECTION

SEE COMP DWGS.

DATA FORMAT: CATIA V5 SHEET

LABEL	CHARACTERS	INFORMATION	PRINTED TEXT
A	1	DMC VERSION	"3"
	1	SEPARATOR	"#"
	14	PART NUMBER (WITH TRAILING " ")	SEE CUSTOMER PART NUMBER
	1	SEPARATOR	"#"
	9	HARDWAREVERSIONSOFTWAREVERSION	"HXXXSXXXX" (SEE PN TABLE)
	1	SEPARATOR	"#"
	9	DUNS - NUMBER	"065855363 "
	1	SEPARATOR	"#"
	6	PRODUCTION DATE (DYNAMIC)	DDMMYY
	1	SEPARATOR	"*"
	3	BGR	"DJH"
	16	VW SLAVE SERIAL NUMBER - LEADING 0	"0000000000000000"
	4	MANUFACTURER'S SERIAL NUMBER AS PER DAILY PRODUCTION (DYNAMIC)	1234 (EXAMPLE)
	1	SEPARATOR	"*"
	1	END	"="
	M	PLXXXXXXXX (8 DIGIT DECIMAL)	
N	PLXXXXXXXX (8 DIGIT DECIMAL)		