

A full list of relevant patents  
is at [www.gentex.com/patents](http://www.gentex.com/patents)



CUSTOMER PART NO.

GENTEX: 960-0334-000

FCC ID: NZLSAHL5H

IC: 4112A-SAHL5H

MODEL: SAHL5H

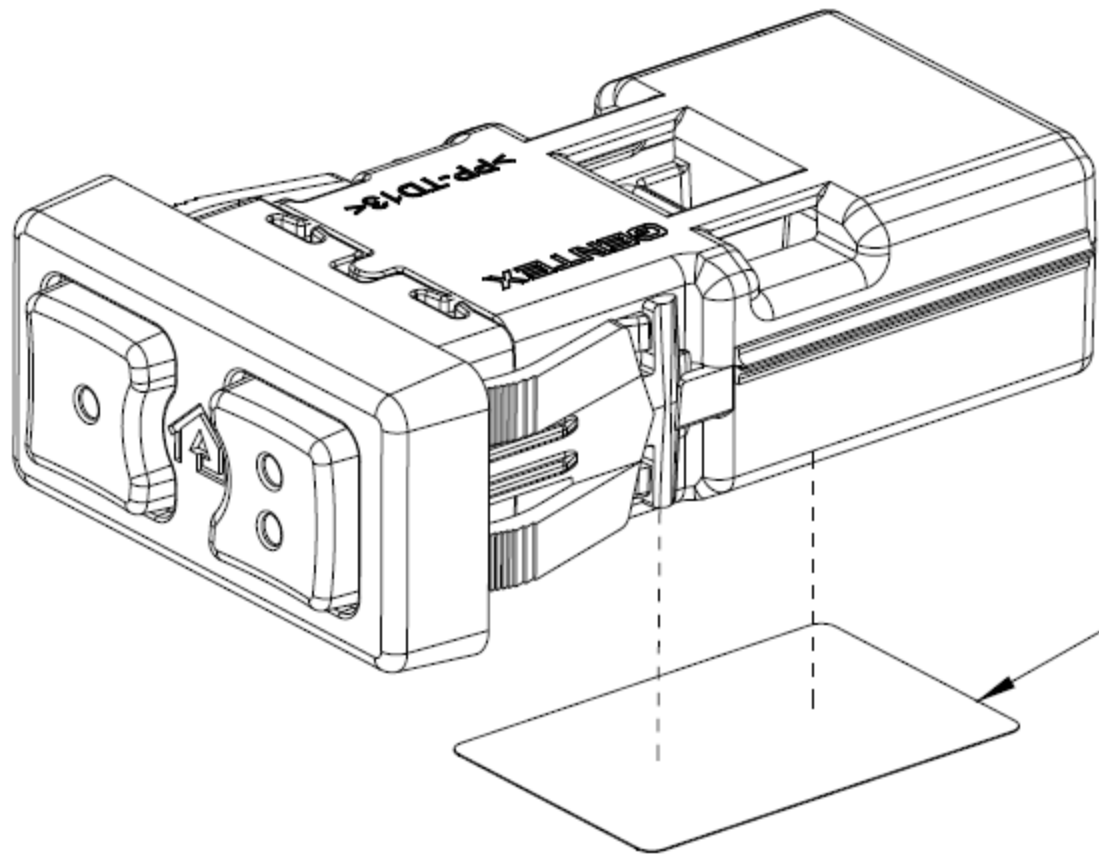
IFETEL: XXXXXXXXXXXX

YYYY  
DD MONTH



**HomeLink®**

**BY GENTEX CORPORATION**



Label Location