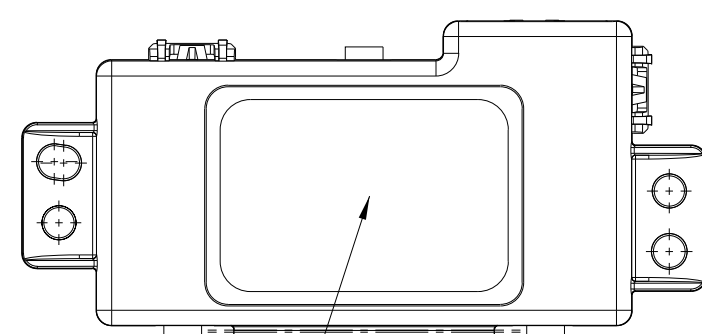
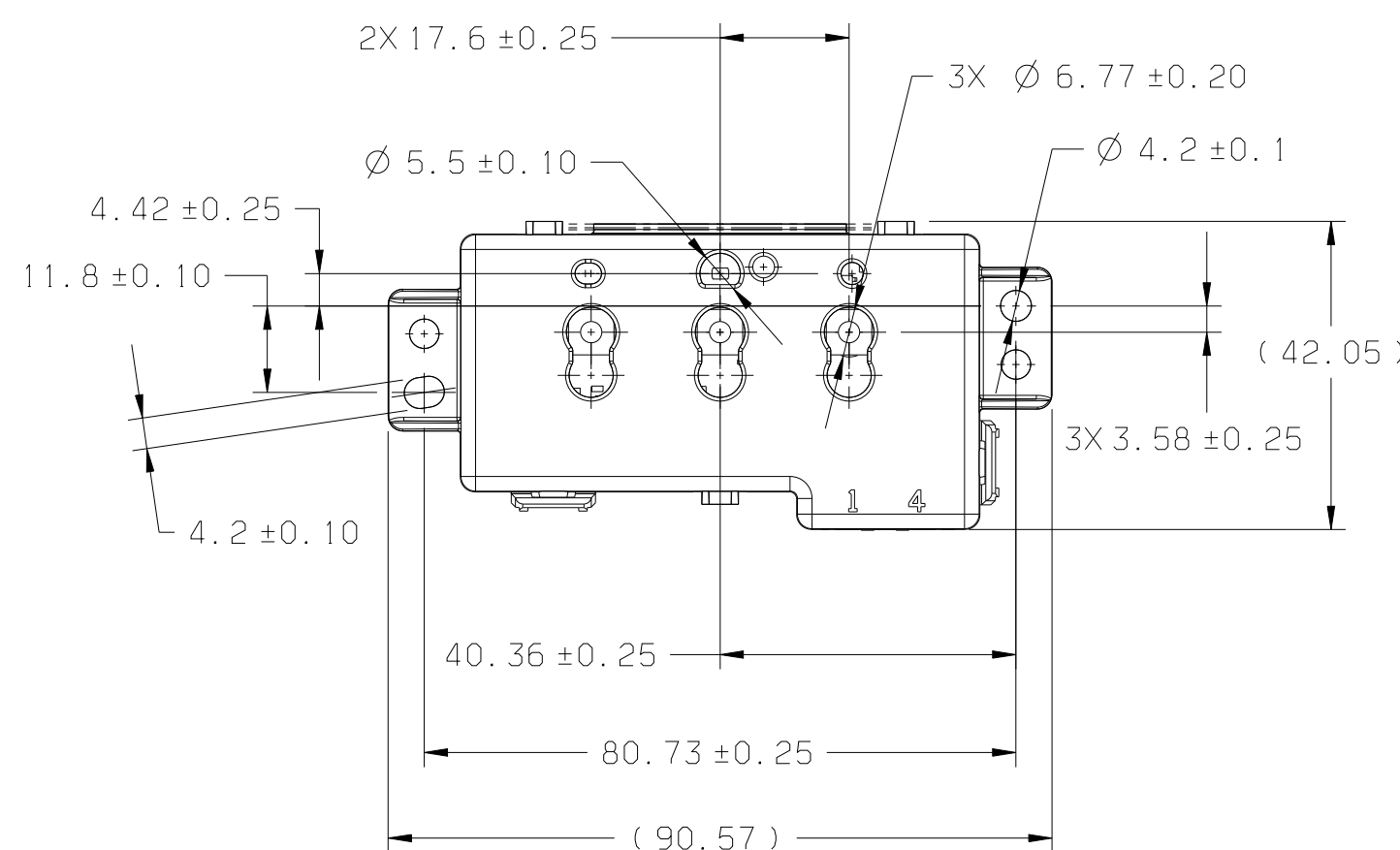
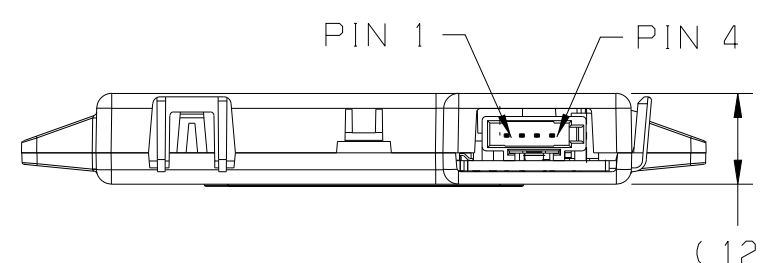


REVISION HISTORY

REV	DESCRIPTION	BY/DATE	ECO NO.	APPROVED
AAA	RELEASE TO PRODUCTION FROM 2360322 DWG REV. 8 AND PART REV. 7	CDP 12/6/13	-	-



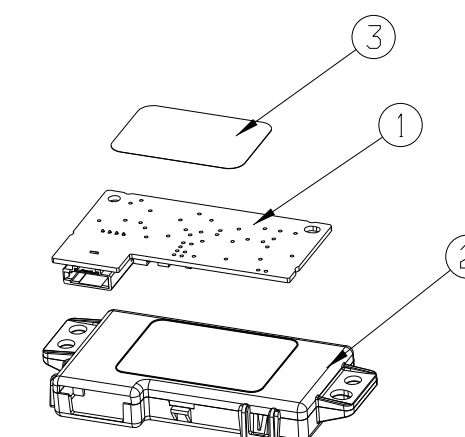
PLACE LABEL HERE



PIN #	CONNECTION TYPE
1	+ BATTERY
2	+ BACKLIGHT
3	NONE
4	- GROUND

B	A	QTY	ITEM	DESCRIPTION	GENTEX PART NO.
1	1	4		LABEL, BAR CODE 4X6 (NOT SHOWN)	375-0369-000
1	1	3		LBL, STOCK 1.0 x 1.5	375-0765-000
1	1	2		HSG.HL5 NANO CORE, FLANGE	340-1312-000
1		1		SA PCB, HL5 GMX352 MY13 EXPORT	705-1566-001
	1	1		SA PCB, HL5 GMX352 MY13	705-2305-001

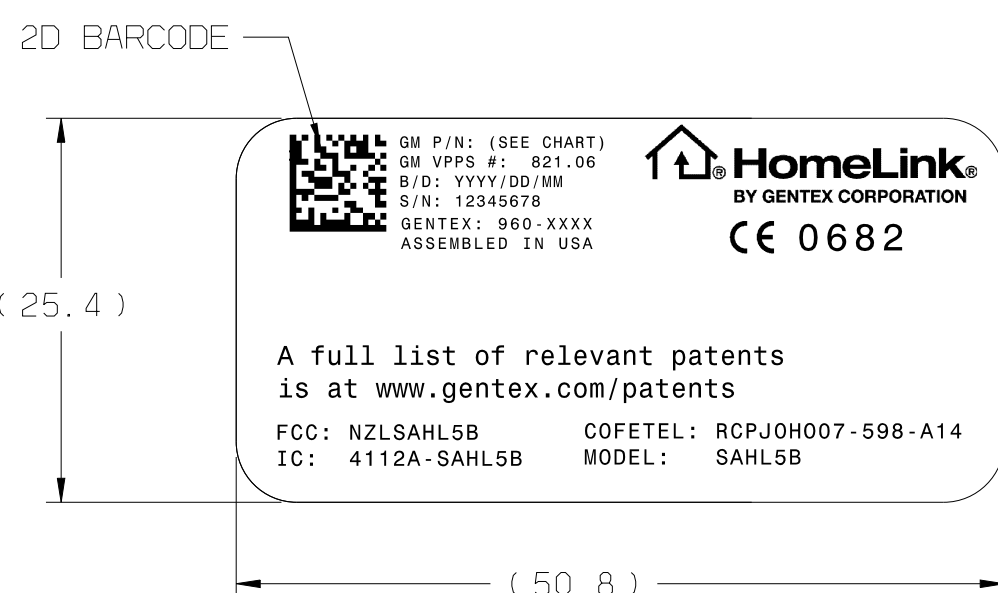
QTY	ITEM	DESCRIPTION	GENTEX PART NO.
AAA	FINAL ASM, GM HL5, MY14 EXPORT		
AAA	FINAL ASM, GMX352 HL5, MY13 DOMESTIC		
960-0061	960-0059	GENTEX ASSY NO. REV.	
22944268	22809886	ITEM/GM PART NO.	
2	1		



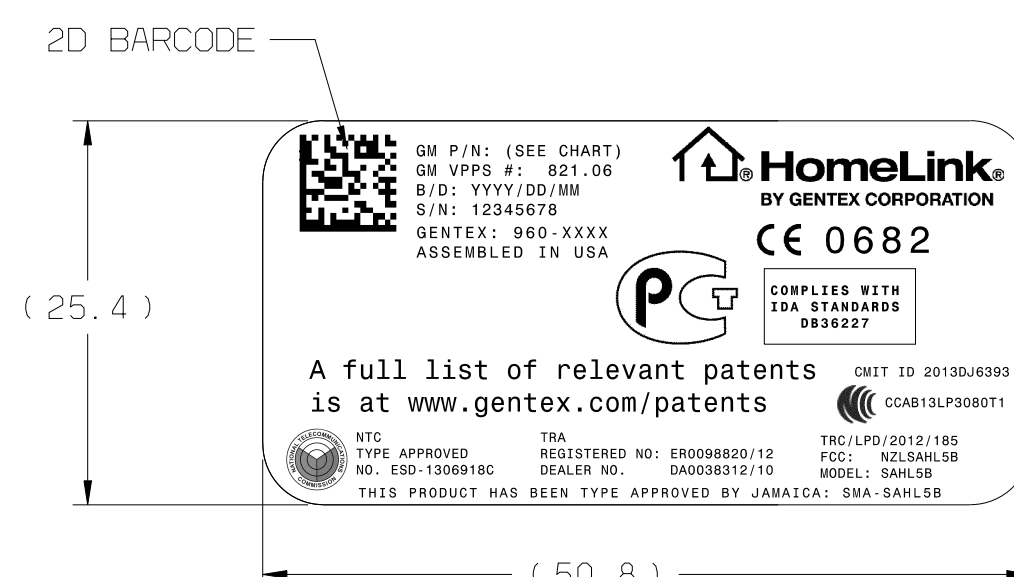
ISOMETRIC REFERENCE VIEW

NOTES:

- INDIVIDUAL COMPONENTS ON PCB ASSEMBLY ARE FOR REFERENCE ONLY.
- ADHESIVE LABEL FORMAT AND INFORMATION IS TO MATCH AS SHOWN IN THE LABEL VIEW(S) AND BOM.
- ASSEMBLY MUST COMPLY WITH FMVSS 302 & CMVSS 302.
- THE BAR CODE CONTAINS THE FOLLOWING; GENTEX PART NO., THREE DIGITS FOR TESTER AND AN 8-DIGIT SERIAL NO. AN EXAMPLE IS BELOW; 960006000100012345678
- ASSEMBLY MUST COMPLY TO TEST SPECIFICATION TDE-ELE-180.



LABEL TYPE 'DOMESTIC'  
SCALE: 2:1  
LABEL VIEW



LABEL TYPE EXPORT  
SCALE: 2:1  
LABEL VIEW

**GENTEX CORPORATION**  
600 NORTH CENTENNIAL ST  
ZEELAND, MICHIGAN 49464  
(616) 772-1800

TITLE  
FINAL ASM, HMLK5, GM

<b>NVS</b> SPECIFIES FEATURES REQUIRING SPECIAL CONSIDERATION. SEE CONTROL PLAN. INTERPRET DIMENSIONS AND TOLERANCE PER ASME Y14.5M - 1994		SIZE D 960-G	DWG NO.	REV AAA
THIRD ANGLE PROJECTION 		MATERIAL SEE COMP DWGS.	MASS (CALCULATED) 19.5 g	DATA FORMAT CATIA V5
SCALE 1:1 & AS NOTED		DATE 1/7/2014	SHEET 1 OF 1	