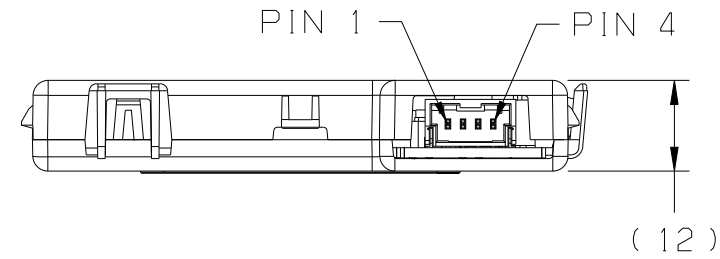
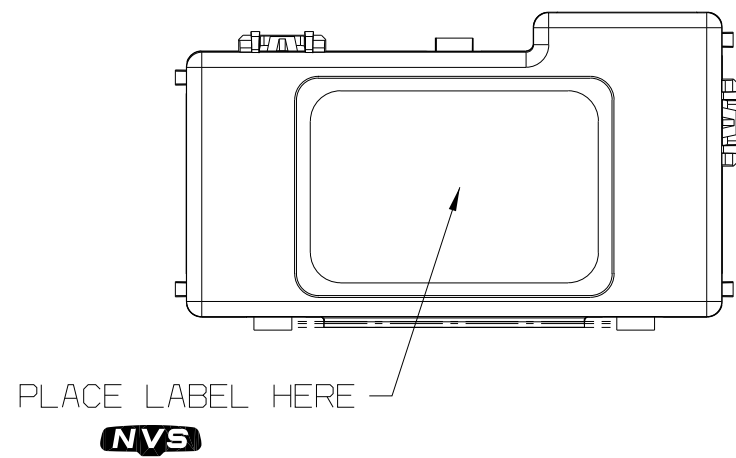
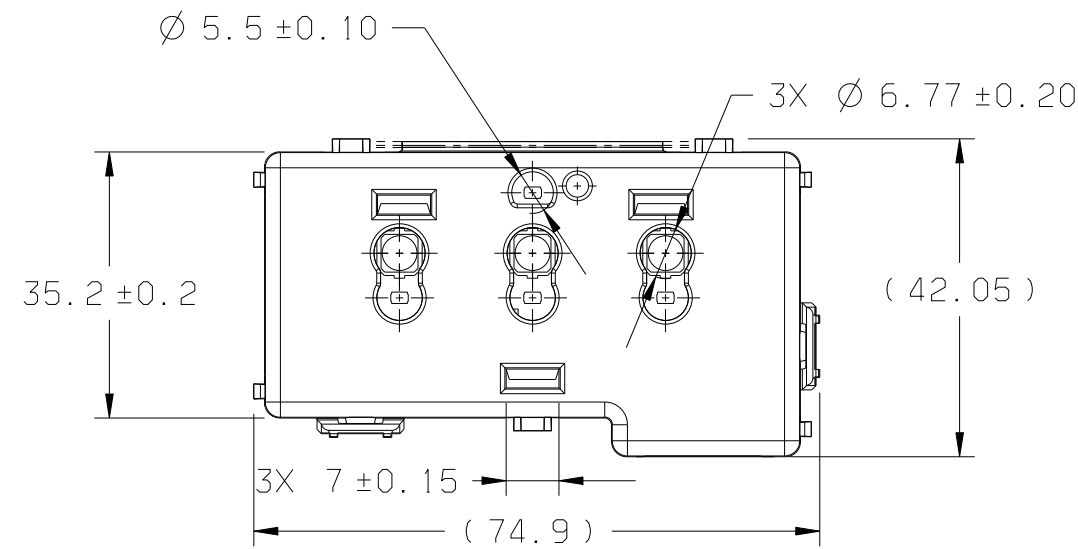


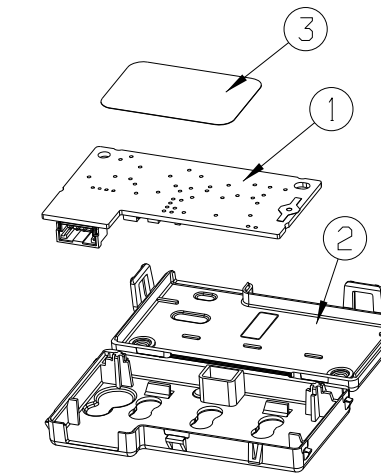
REVISION HISTORY

REV	DESCRIPTION	BY/DATE	ECO NO.	APPROVED
AAA	RELEASE TO PRODUCTION FROM 2278107 DWG REV. 7 AND PART REV. 6 2434954 DWG REV. 2 AND PART REV. 2 2460025 DWG REV. 8 AND PART REV. 6 2550573 DWG REV. 5 AND PART REV. 4	CDP 12/6/13	-	-



PIN #	CONNECTION TYPE
1	+ BATTERY
2	+ BACKLIGHT
3	NONE
4	- GROUND

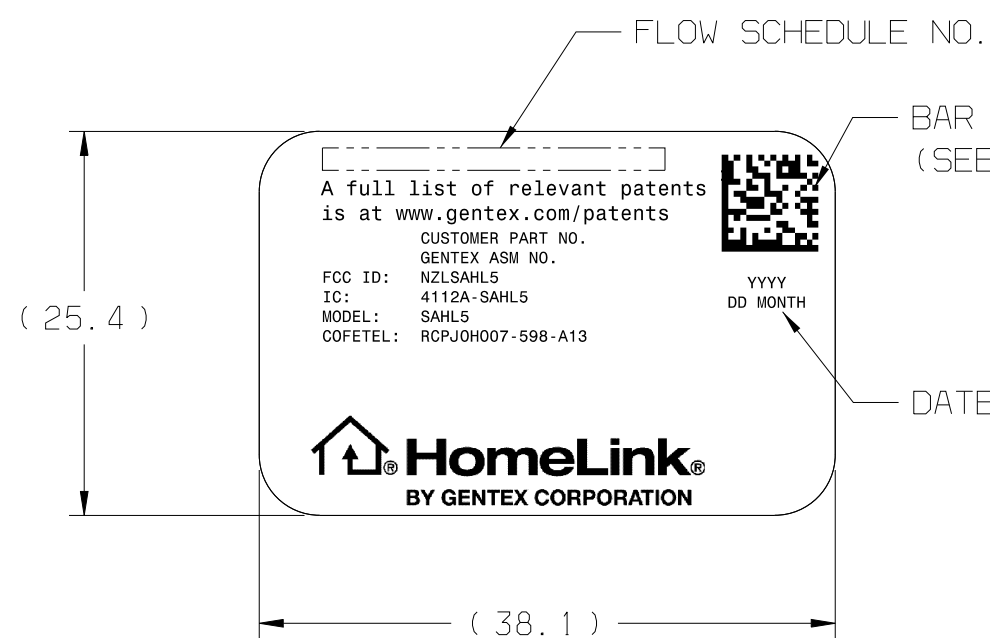
B	B	A	A	-	LABEL TYPE	
1	1	1	1	4	LABEL, BAR CODE 4X6 (NOT SHOWN)	375-0369-000
1	1	1	1	3	LBL, STOCK 1.0 x 1.5	375-0765-000
1	1	1	1	2	HSG.HL5 NANO CORE	340-1311-000
1				1	SA PCB, HL5 KL MY14 AFTMRKT	705-2288-001
	1			1	SA PCB, HL5 KL MY14 AFTMRKT	705-2287-001
		1		1	SA PCB, HL5 KL VIPER MY13	705-2259-001
			1	1	SA PCB, HL5 KL PF MY12	705-2258-001
QTY	QTY	QTY	QTY	ITEM	DESCRIPTION	GENTEX PART NO.
					HL5 KL, MY14 AFTMRKT	
					ELEC ASM, KL HMLK5 MY 14	
					ELEC ASM, VIPER MY13	
					ELEC ASM, PF HMLK5 MY12	
					DESCRIPTION	
AAA	AAA	AAA	AAA	REV.		
960-0004	960-0003	960-0002	960-0001	ITEM	GENTEX ASSY NO.	
4	3	2	1			



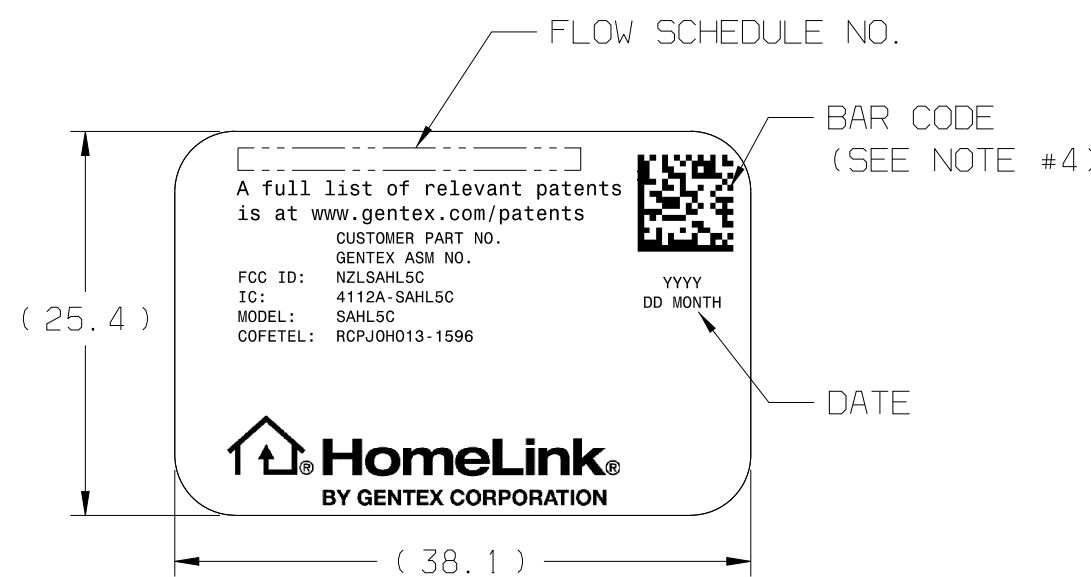
ISOMETRIC REFERENCE VIEW

NOTES:

- INDIVIDUAL COMPONENTS ON PCB ASSEMBLY ARE FOR REFERENCE ONLY.
- ADHESIVE LABEL FORMAT AND INFORMATION IS TO MATCH AS SHOWN IN THE LABEL VIEW(S) AND BOM.
- ASSEMBLY MUST COMPLY WITH FMVSS 302 & CMVSS 302.
- THE BAR CODE CONTAINS THE FOLLOWING; GENTEX PART NO., THREE DIGITS FOR TESTER AND AN 8-DIGIT SERIAL NO. AN EXAMPLE IS BELOW; 960000100100012345678
- ASSEMBLY MUST COMPLY TO TEST SPECIFICATION TDE-ELE-180.



LABEL TYPE - 'A'
SCALE: 2:1
(LABEL VIEW)



LABEL TYPE - 'B'
SCALE: 2:1
(LABEL VIEW)

GENTEX

600 NORTH CENTENNIAL ST
ZEELAND, MICHIGAN 49464
(616) 772-1800

CORPORATION

TITLE
FINAL ASM, HMLK 5

<p>NVS SPECIFIES FEATURES REQUIRING SPECIAL CONSIDERATION. SEE CONTROL PLAN. INTERPRET DIMENSIONS AND TOLERANCE PER ASME Y14.5M - 1994</p>	SIZE D	DWG NO. 960-A	REV AAA
	MATERIAL SEE COMP DWGS.		MASS (CALCULATED) 19.5 g
<p>THIRD ANGLE PROJECTION</p>	DRAWN BY CPOLLACK		DATA FORMAT CATIA V5
	SCALE 1:1 & AS NOTED	DATE 12/10/2013	SHEET 1 OF 1