

1149057- 605-5533

FLOW SCHEDULE NO.

BAR CODE

2

A full list of relevant patents is at www.gentex.com/patents



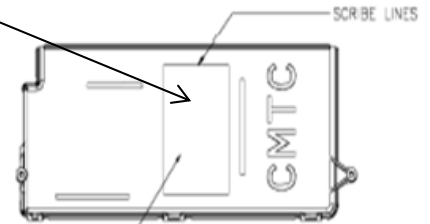
GENTEX ASM NO.
FCC ID: NZLRSCMCHL3
IC: 4112A-RSCMCHL3
MODEL: RSCMTC

YYYY
DD MONTH

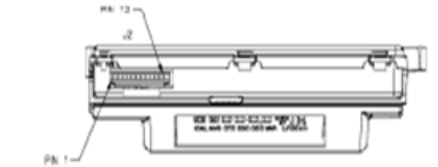
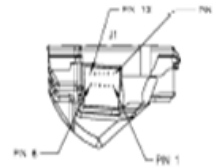
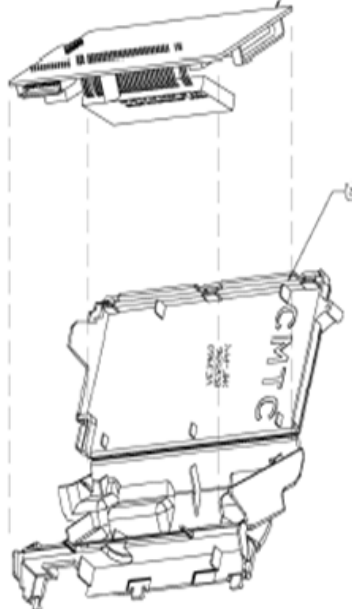
DATE

 **HomeLink**[®]
BY GENTEX CORPORATION

SCRIBE LINES



POPULATED PCB



CONNECTOR PIN DESIGNATION DETAIL

VIEW FOR REFERENCE ONLY