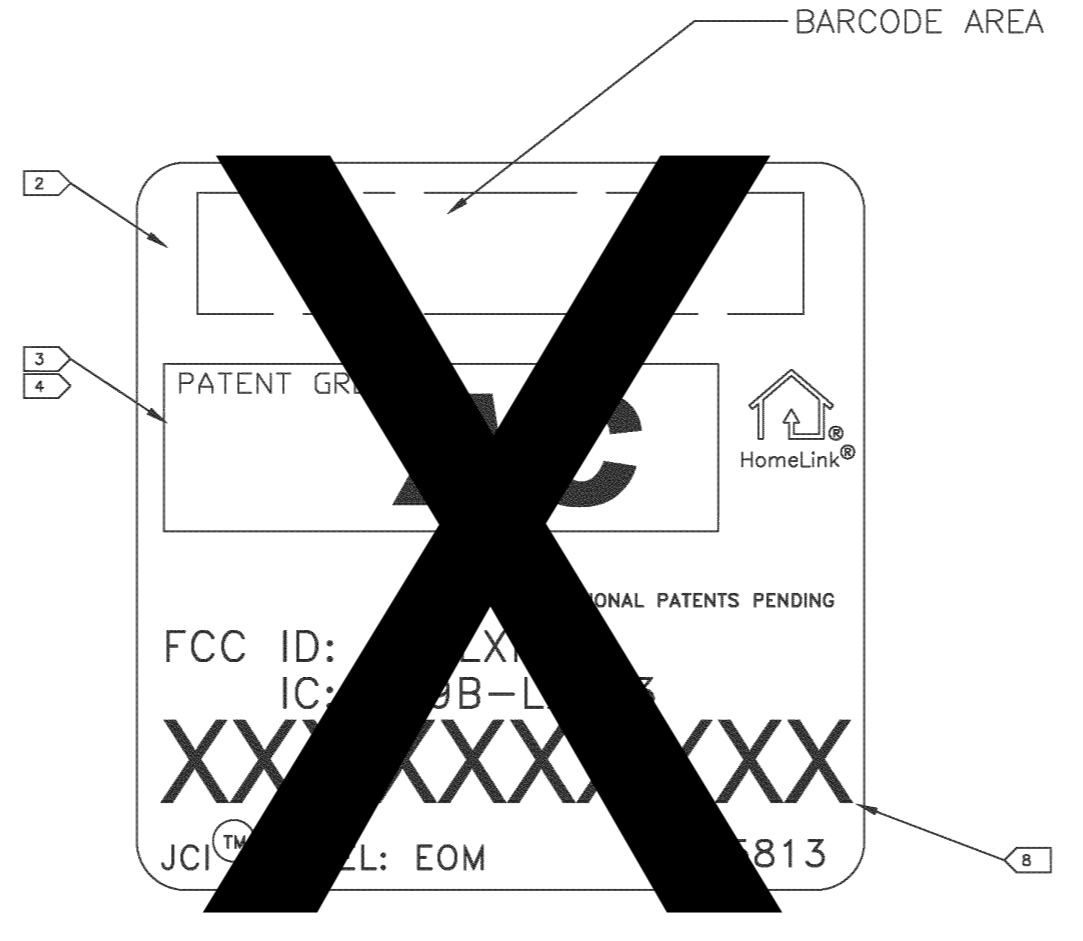
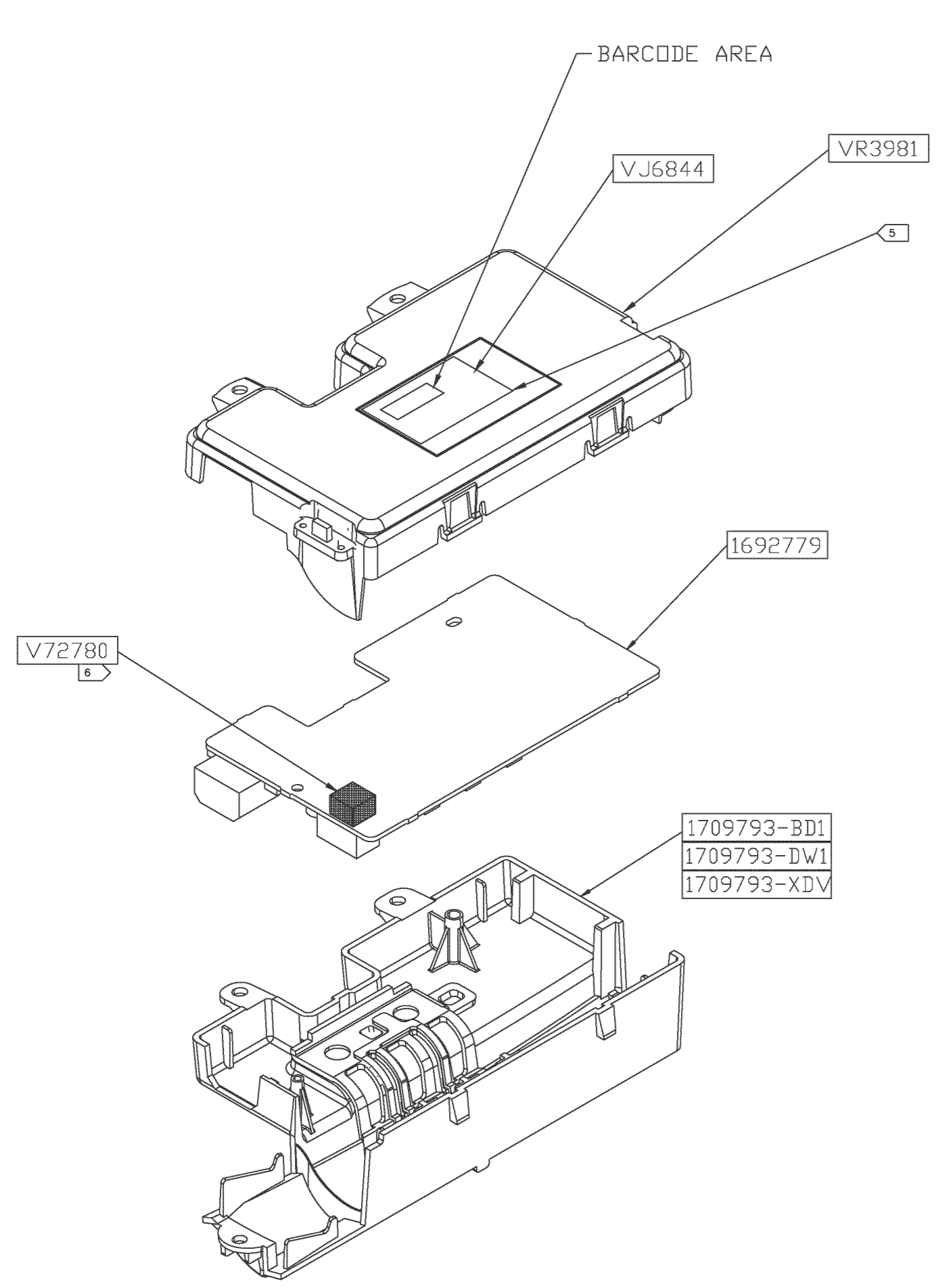


REVISION HISTORY				
REV	DESCRIPTION	BY/DATE	ECO NO.	APPROVED
AAA	RELEASE TO PRODUCTION FROM JCI DWG. AND PART 1709792 REV. 4	CDP 1/14/14	-	-



- NOTES:
1. ENCLOSE POPULATED PCB INTO HOUSINGS AS SHOWN.
 2. ASSEMBLER IS TO PRINT LABEL INFORMATION AS SHOWN, USING ADHESIVE LABEL CALLED OUT IN BILL OF MATERIAL.
 3. REFER TO LATEST REVISION FOR DRAWING 1692779 FOR ACTUAL PATENT NUMBERS OF THE PATENT GROUP (SCHEDULED).
 4. USE ONLY PATENT NUMBERS TO FULL SPACE AVAILABLE, BUT NOTION / ORGANIZATION OF ORIGINAL PATENT NUMBERS MUST BE MAINTAINED FOR CORRESPONDING PATENT NUMBERS AS SHOWN ON LATEST REVISION OF DRAWING 1692779.
 5. PLACE BARCODE/PATENT LABEL IN THE UPPERMOST CORNER OF SCRIBE LINE TOWARDS CONNECTOR AS INDICATED, WITH BAR CODE AREA ORIENTED AS SHOWN. DO NOT COVER HOLES OR MARKINGS ON HOUSING.
 6. PLACE FOAM ON SECONDARY SIDE OF PCB ASSEMBLY AT LOCATION INDICATED. DO NOT COVER TEST POINTS.
 7. MUST COMPLY WITH TEST SPECIFICATION TD-ELE-081.
 8. FOR EACH ASSEMBLY, PRINT THE CORRESPONDING CHRYSLER NUMBER FROM THE ASSEMBLY NUMBER TABLE.

FOR BILL OF MATERIALS FOR ASSEMBLIES SEE THE FOLLOWING ELECTRONIC FILES INCLUDED IN THE ASSEMBLY DATA RELEASE PACKAGE:

ASSEMBLY NUMBER	REVISION	ELECTRONIC FILE NAME	CHRYSLER PART NUMBER
1709792-BD1	4	1709792-BD1_4_BOM.XLS	1HT94BD1AA
1709792-DW1	4	1709792-DW1_4_BOM.XLS	1HT94DW1AA
1709792-XDV	4	1709792-XDV_4_BOM.XLS	1HT94XDVA

VIEW FOR REFERENCE ONLY

REV	BY/DATE	DESCRIPTION	P.C.K.	BY	DATE	BY
1		RELEASE FOR PRODUCTION	2664726	BS	21AUG07	EDICT
2		REVISED AND REDRAWN ASM'S REV'D FOR HSG CHANGE	3015804	BS	12MAY08	EDICT
3		ASSEMBLIES REVISIONED FOR REVISION TO HOUSING AND LABEL P/N CHANGE	4271162	BS	14APR10	EDICT
4		REVISED FOR PCB ASM UPREV	5842069	BS	31JUL12	EDICT

QTY	QTY	QTY	ITEM	DESCRIPTION	JCI PART NO.	GENTEX PART NO.
1	1	1	5	BUMPER, 9.525 X 9.525 X 6.3 RV	V72780	427-0031-000
1	1	1	4	HSG, LX PCB UPR	VR3981	340-1355-000
1			3	HSG ASM, LX O/C LWR HMLK - XDV		625-0976-000
	1		3	HSG ASM, LX O/C LWR HMLK - DW1		625-0968-000
		1	3	HSG ASM, LX O/C LWR HMLK - BD1	1709793	625-0965-000
1	1	1	2	LABEL STOCK, 1.5 X 1.5	VJ6844	375-0898-000
+	+	+	+	PCB ASM, LX/WK EOM HMLK3	1692779	605-5500-001

JOHNSON CONTROLS
AUTOMOTIVE SYSTEMS GROUP INTERIORS

NAME: ELECTRONIC ASSEMBLY

ELECTRONICS STD. UNLESS OTHERWISE SPECIFIED

THIRD ANGLE PROJECTION IAW ANSI Y14.5M 1982

DO NOT SCALE

UNLESS OTHERWISE SPECIFIED

XX DECIMAL ± 0.040 [± 1.0]
 XXX DECIMAL ± 0.020 [± .50]
 XXXX DECIMAL ± 0.008 [± .15]

ANGULAR ± 2° 0'
DRAFT ANGLES NOTED

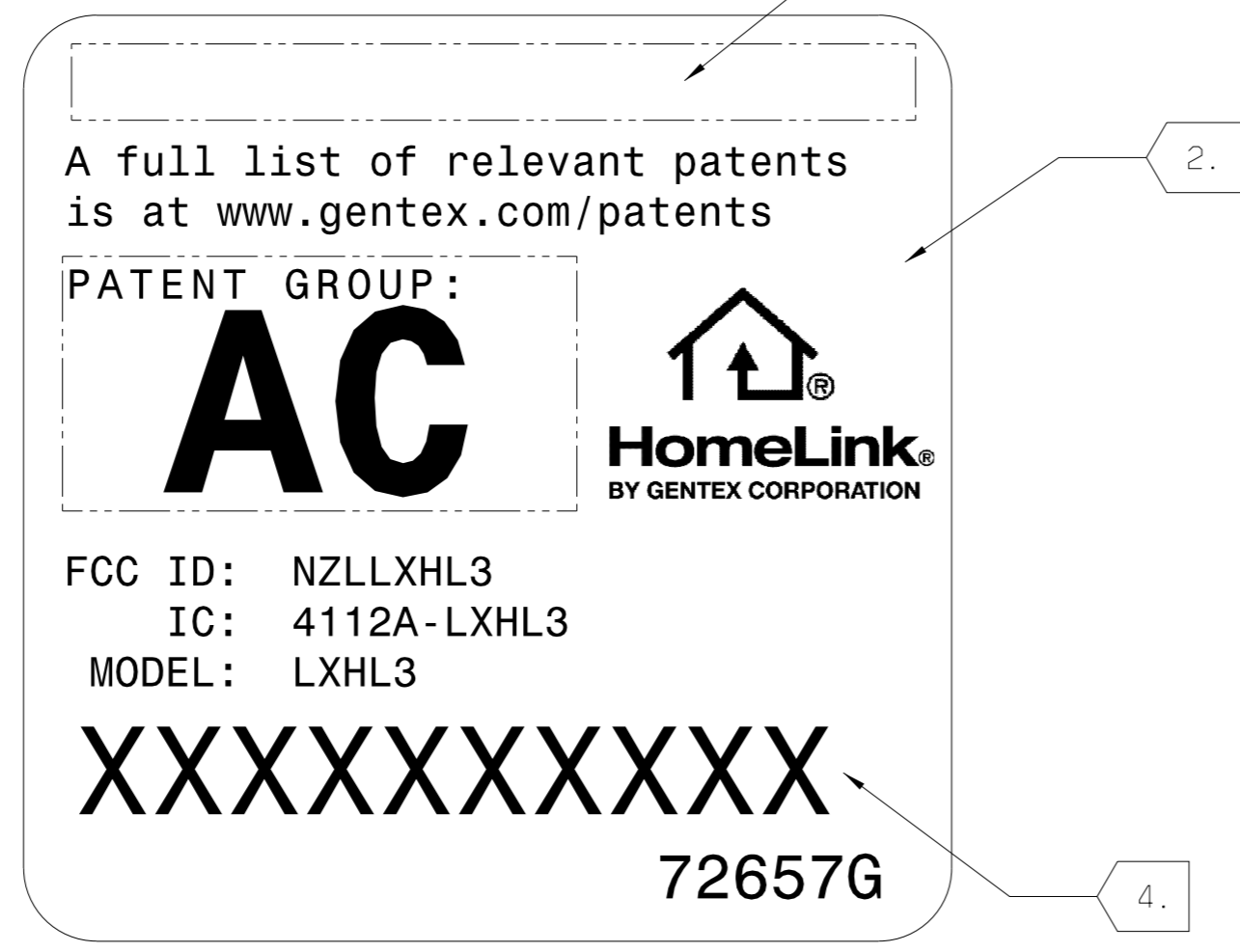
DIMENSIONS ARE IN INCHES WITH EQUIVALENT MILLIMETERS SHOWN IN BRACKETS.

SUBSTANCE USE RESTRICTION: THE GLOBAL AUTOMOTIVE DECLARABLE SUBSTANCES LIST (SEE [HTTP://WWW.GENTEX.COM](http://www.gentex.com)) REGARDING PROHIBITED AND DECLARABLE SUBSTANCES APPLIES TO ALL MATERIALS USED IN THIS PART.

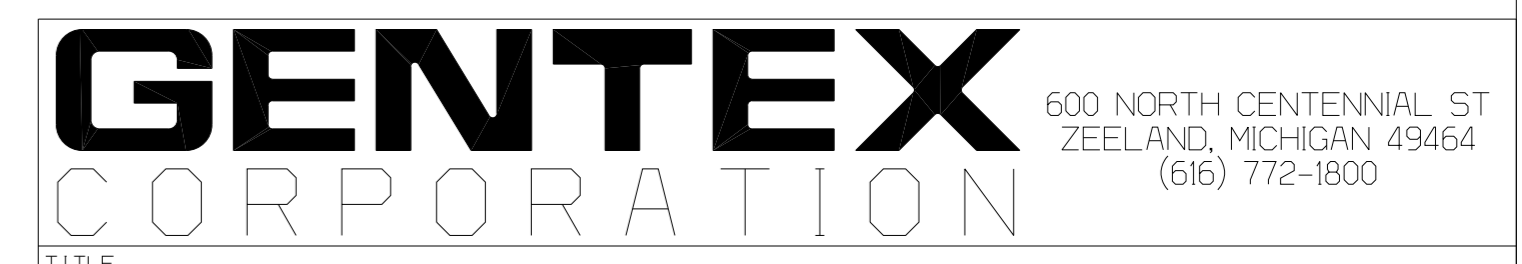
PROJECT: 04.5 LX/WK EOM HMLK III
 DATE: 21AUG07
 DRAWN BY: BRET SUNNERVERLE
 CHECK BY: KEITH VANLIERE
 CUSTOMER: CHRYSLER
 INDR APPR: BRYAN THIEME
 SCALE: NONE
 SHEET: 1 OF 1

SIZE: D
 TOOL NO. REF.:
 DATA FORMAT: ACAD

DWG NO.: 1709792



LABEL VIEW SCALE: 4:1



TITLE: FINAL ASM, LX/WK EOM HMLK3, MY04.5

SIZE: D
 DWG NO.: 960-Z
 REV: AAA

MATERIAL: SEE DWG
 MASS (CALCULATED): NA

INTERPRET DIMENSIONS AND TOLERANCE PER ASME Y14.5M - 1994

THIRD ANGLE PROJECTION

DRAWN BY: CPOLLACK
 DATE: 1/28/2014
 DATA FORMAT: CATIA V5
 SHEET: 1 OF 1

PRELIMINARY