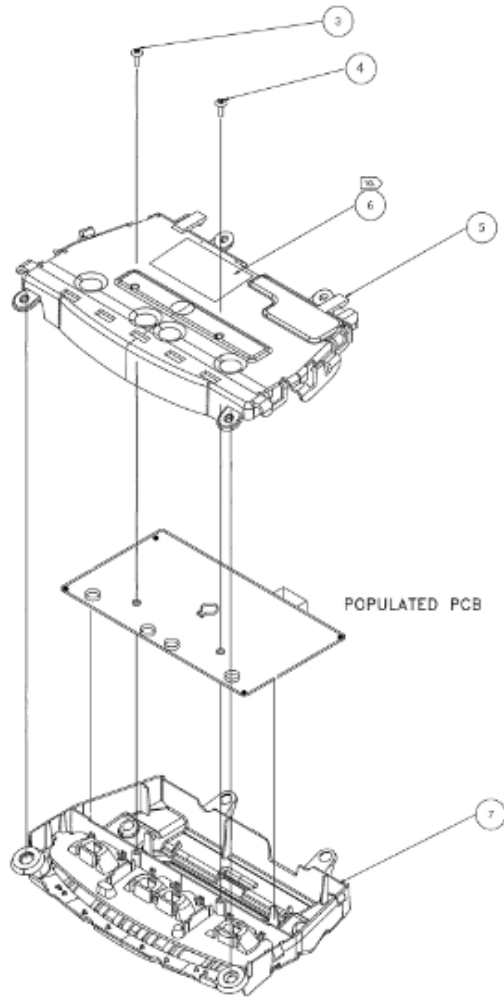


# VR1849- 605-5541



6

FLOW SCHEDULE NO.

BAR CODE


A full list of relevant patents is at [www.gentex.com/patents](http://www.gentex.com/patents)

|         |                 |
|---------|-----------------|
| FCC ID: | NZLLHEVICPSI    |
| IC:     | 4112A-LHEVICPSI |
| MODEL:  | LHEVICPSI       |

GENTEX ASM NO.

YYYY  
DD MONTH

DATE

 **HomeLink**<sup>®</sup>  
BY GENTEX CORPORATION