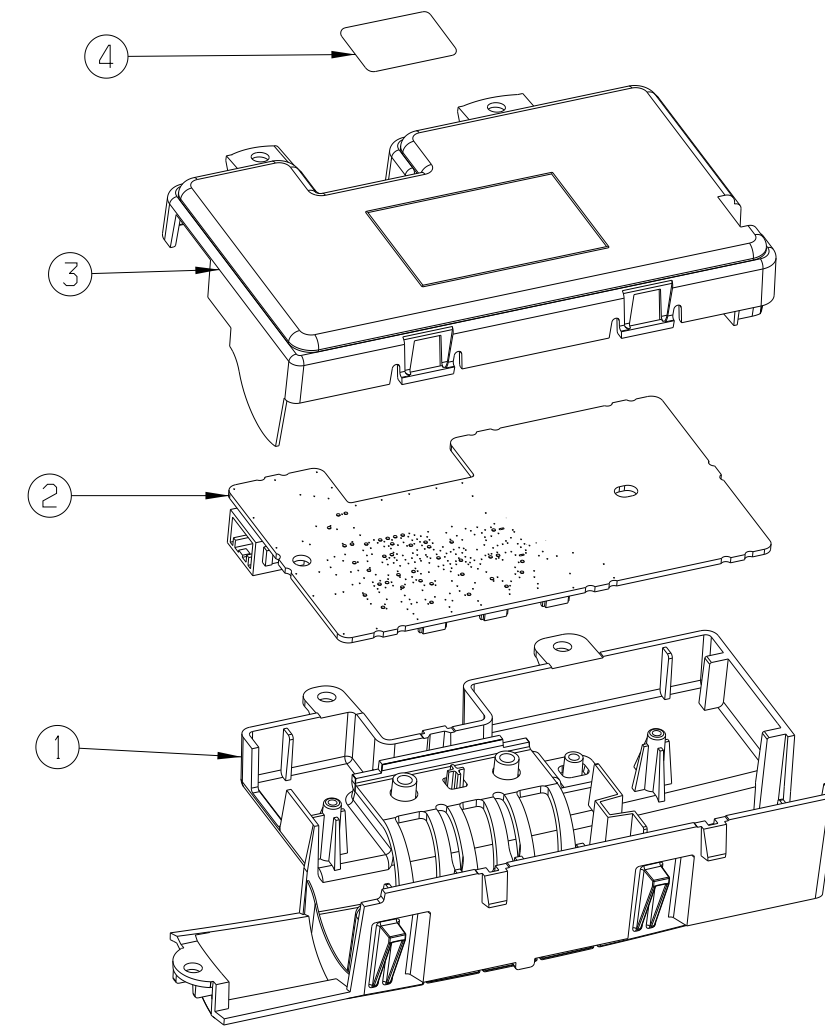
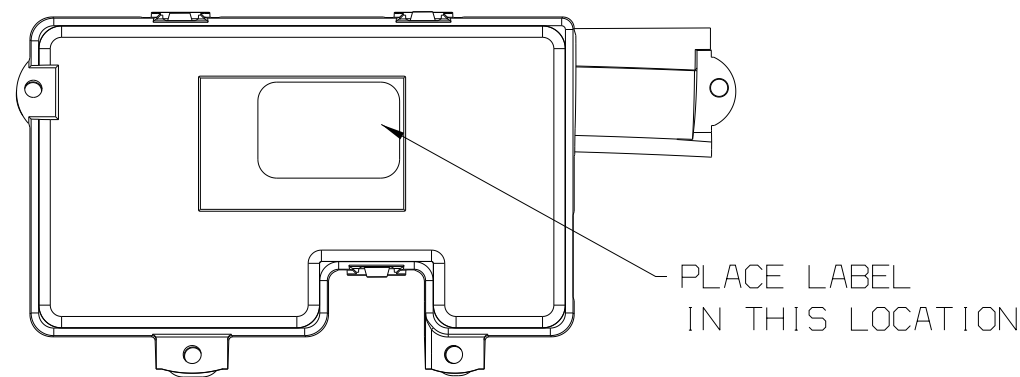
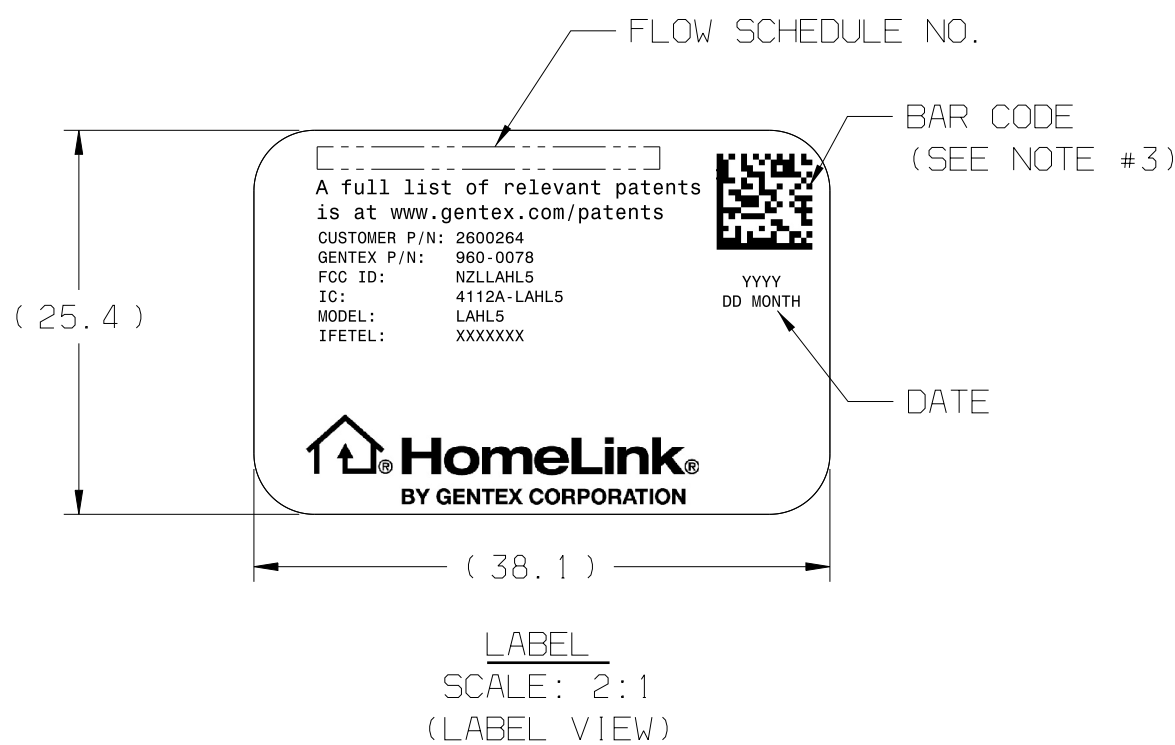


PIN	CONNECTION TYPE
1	+ BATTERY
2	+ BACKLIGHT
3	NONE
4	- GROUND



QTY	ITEM	DESCRIPTION	GENTEX PART NO.
1	4	LABEL, BAR CODE 1X1.5WHITE	375-0765-000
1	3	HSG, CHRY LX, MY15 UPPER	340-1355-000
1	2	PCB, SA, CHRY LA MY15 HMLK	705-2327-001
1	1	HSNG ASM, CHRY LA MY15 LWR	625-0912-000

1	ITEM	DESCRIPTION	REV.
AAA	REV.	DESCRIPTION	
960-0078	GENTEX ASSY NO.		
1	ITEM		

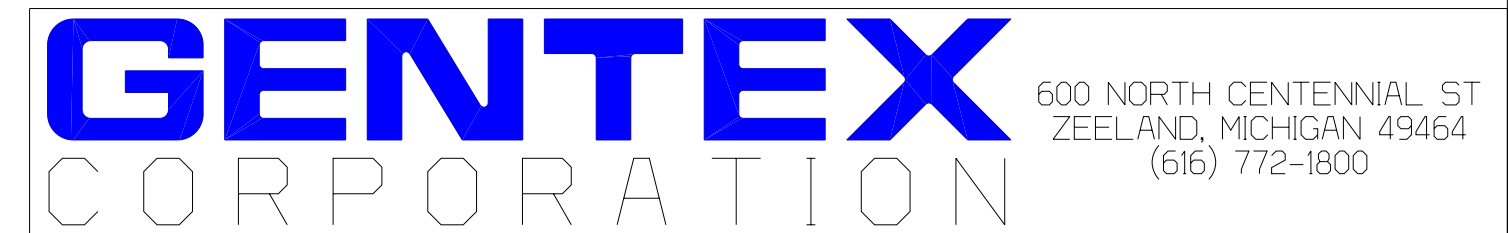


REVISION HISTORY

REV	DESCRIPTION	BY/DATE	ECO NO.	APPROVED
002	DRAWING RELEASE	JDH 02/05/14	-	-

NOTES:

- INDIVIDUAL COMPONENTS ON PCB ASSEMBLY ARE FOR REFERENCE ONLY.
- ADHESIVE LABEL FORMAT AND INFORMATION IS TO MATCH AS SHOWN IN THE LABEL VIEW(S) AND BOM.
- THE BAR CODE CONTAINS THE FOLLOWING;
GENTEX PART NO., THREE DIGITS FOR TESTER AND AN 8-DIGIT SERIAL NO. AN EXAMPLE IS BELOW;
960000100100012345678
- ASSEMBLY MUST COMPLY TO TEST SPECIFICATION TDE-ELE-195.



TITLE
FINAL ASM, HMLK, CHRYSLER LA

NVS SPECIFIES FEATURES REQUIRING SPECIAL CONSIDERATION. SEE CONTROL PLAN. INTERPRET DIMENSIONS AND TOLERANCE PER ASME Y14.5M - 1994	SIZE D	DWG NO. 960-0078	REV 002
	MATERIAL SEE COMP DWGS.	MASS (CALCULATED) 146g	
THIRD ANGLE PROJECTION 	DRAWN BY TREEVES	DATA FORMAT CATIA V5	
	SCALE 1:2	DATE 02/03/14	SHEET 1 OF 1