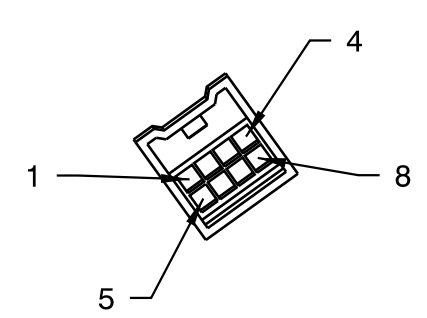
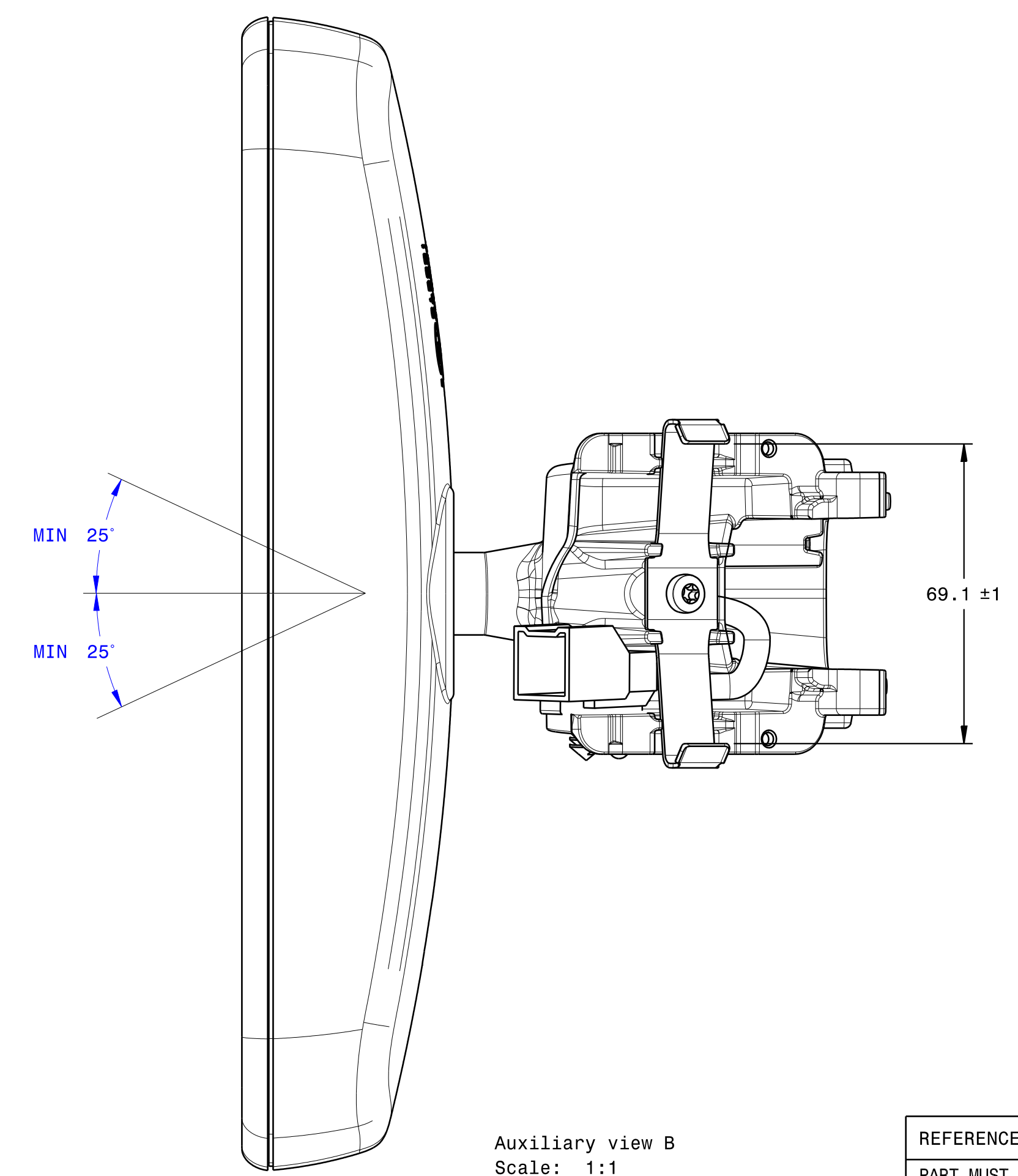
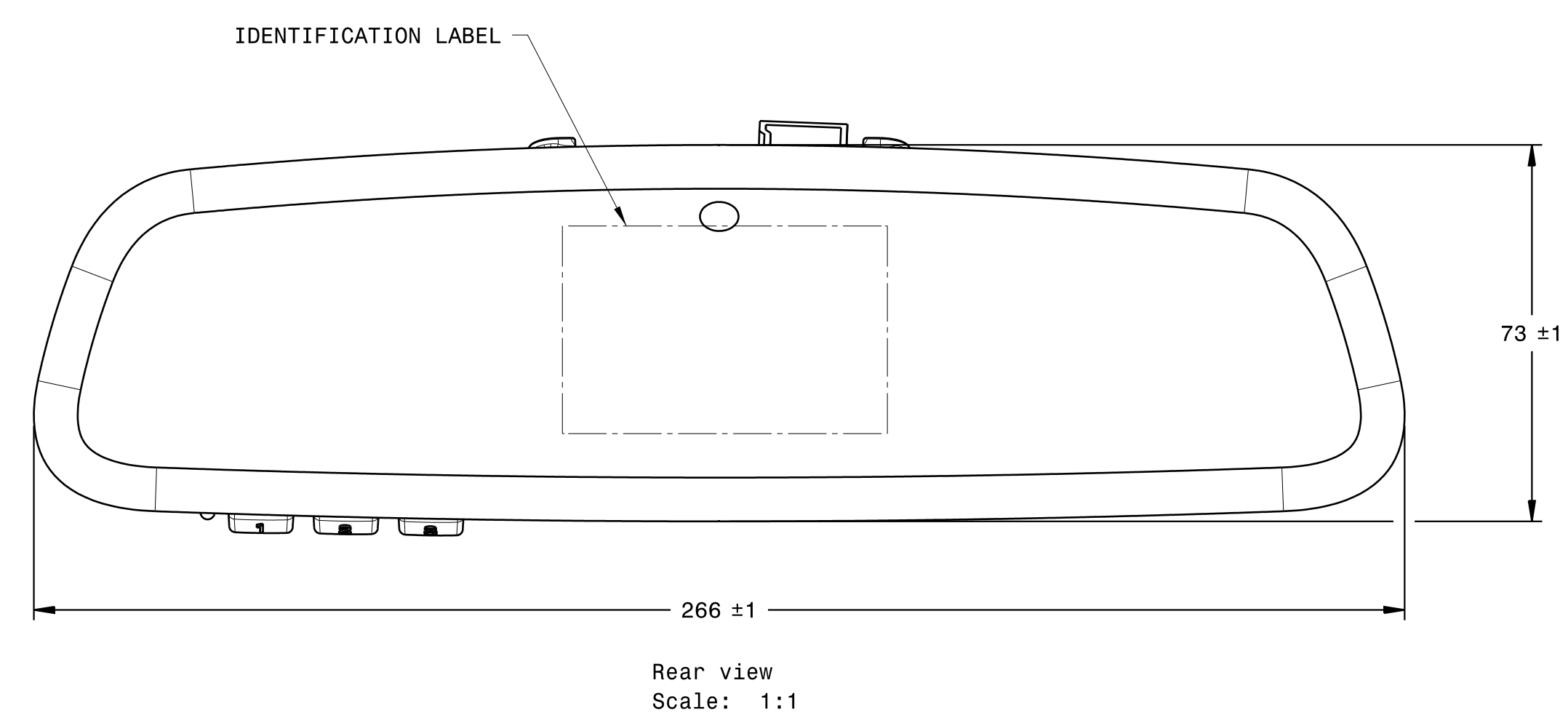
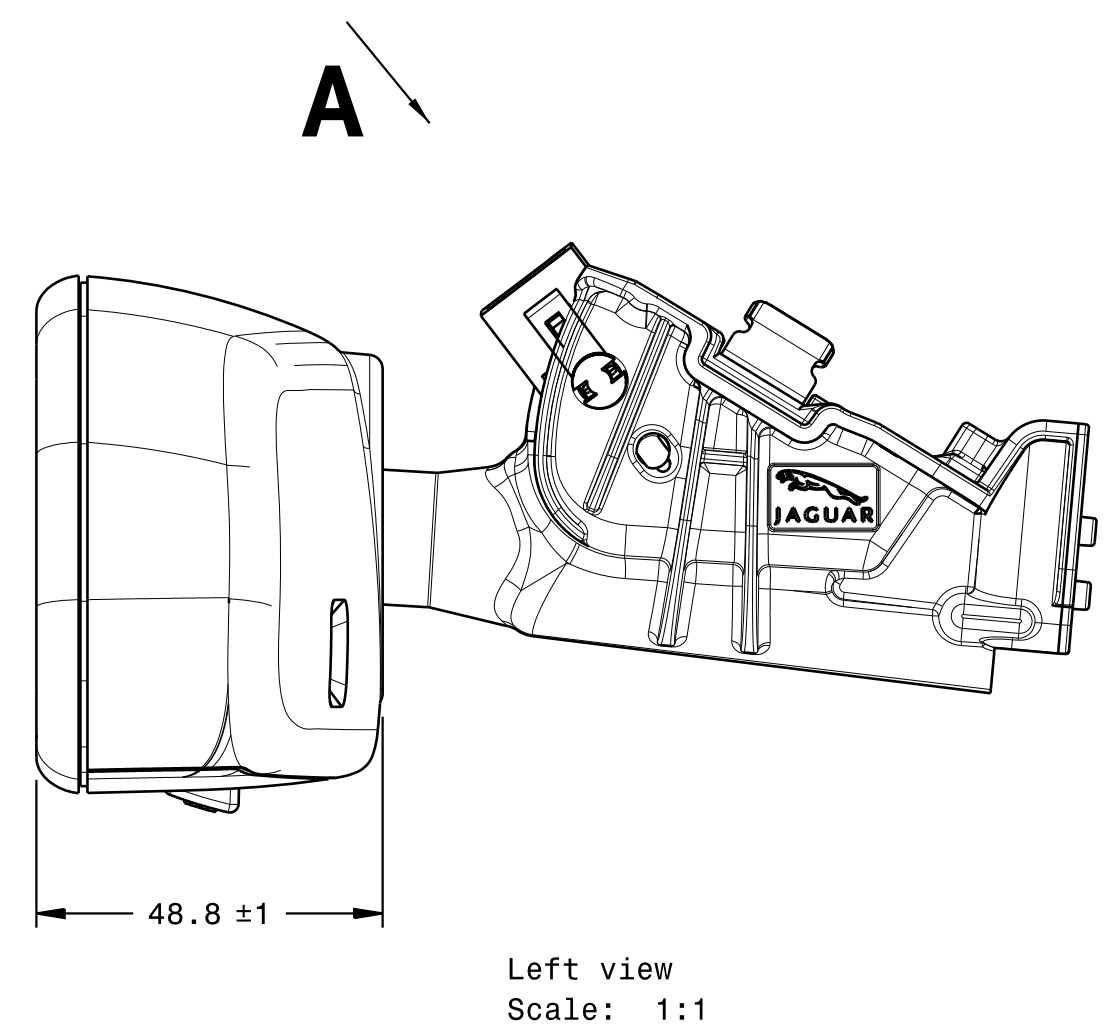
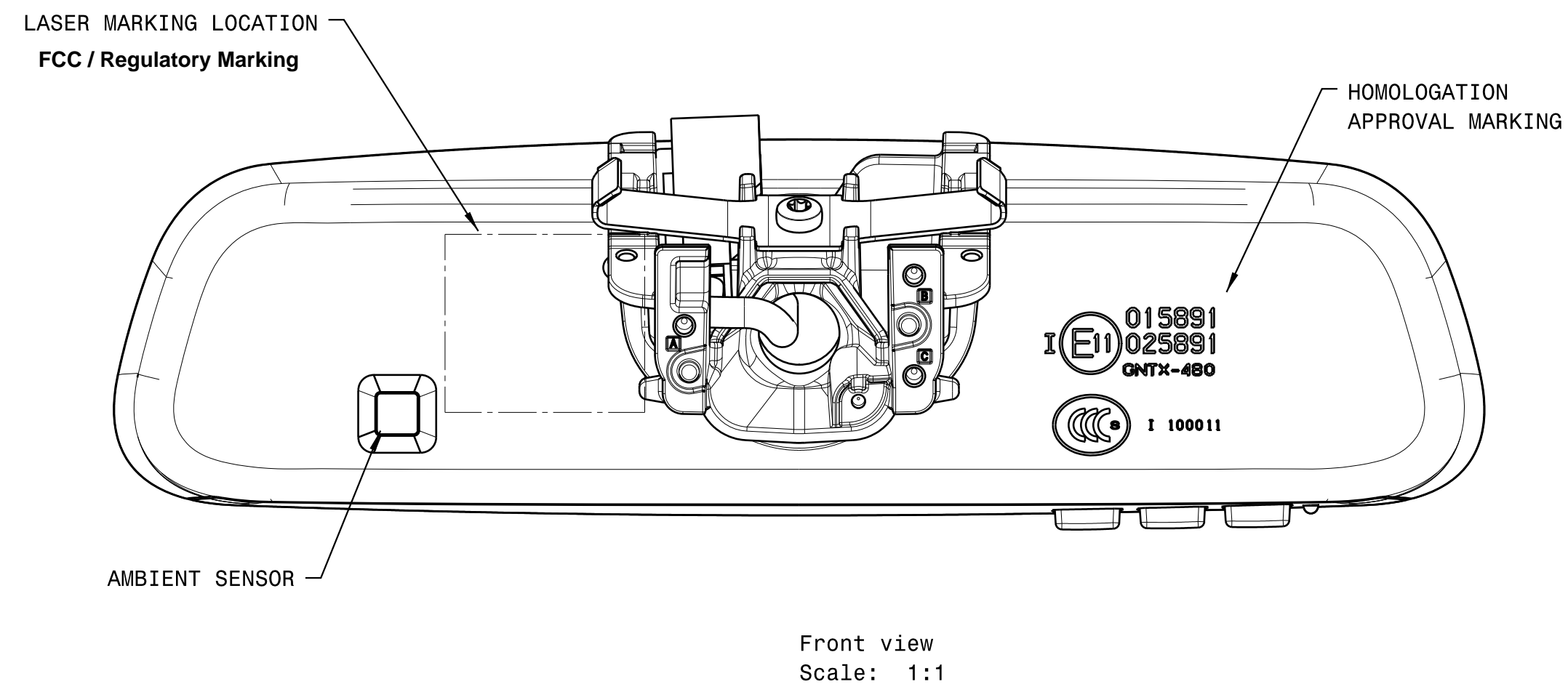


L
K
J
I
H
G
F
E
D
C
B
A

REVISIONS			
LTRS	ORIGINATOR	CHECKER	ENGR APP
			MATL APP
INITIAL PRODUCTION RELEASE			
2011XXXX			
XXX	IMALIN	PSUTTON	MAT ENG



VIEW IN DIRECTION OF ARROW A

NOTES:

- MIRROR TO MEET THE FOLLOWING REQUIREMENTS:
JLR L494 CURRENT EFDVS DECK.
- MIRROR ADJUSTMENT TORQUE: 1.1Nm to 2.6Nm.
- MIRROR ASSEMBLY TO COMPLY WITH THE RELEVANT PARTS OF THE FOLLOWING REGULATIONS:
ECE R46.02
FMVSS 111
- MIRROR MANUFACTURED TO GENTEX QUALITY STANDARDS:
GNTX-1030.
- THIS PART MUST BE FREE FROM HEXAVALENT CHROMIUM AND REPORTED IN IMDS.
- EXTERIOR SURFACES TO BE TEXTURED AS INDICATED PER BMW FEINNARBE L TEXTURE.

WIRE REQUIREMENTS - PIN OUT		
PIN	FUNCTION	CURRENT
1	+12V SWITCHED IGNITION	750mA
2	+12V REVERSE INHIBIT	10mA MAX
3	CHASSIS GROUND	750mA
4	OEC FEED	300 MAX PER ELEMENT
5	OEC RETURN	300 MAX PER ELEMENT
6	OPEN	
7	OPEN	
8	OPEN	

REFERENCE		XXX	
PART MUST COMPLY WITH RESTRICTED SUBSTANCE MANAGEMENT STANDARD			
WSS-M99P9999-A1 TO SAFEGUARD HEALTH, SAFETY AND THE ENVIRONMENT			
DRAFTED IN ACCORDANCE WITH FORD MOTOR COMPANY ENGINEERING CAD AND DRAFTING STANDARDS VERSION 22		3RD ANGLE PROJ DIMENSIONS ARE IN MILLIMETERS	
CAD TYPE	CAD LOC.	CAD FILE	DTM
K-CATIA5	Tce	DPLA-17E678-EA-DWG-REV_03	3 IS MASTER
OPER. NO.	UNIT	DRAWING	
N/A	N/A	DPLA-17E678-EA	
DESIGN	DETAIL	TITLE	SHT 1
XXX	XXX	MIR ASSY RV I/S	OF 1
CHECKED	SAFETY	[NAS_GDO]	
IMALIN	N/A		
SCALE	DATE	DIVISION	JAGUARLANDROVER
1:1	2011XXXX	PLANT	GAYDON
JAGUAR		JAGUAR CARS LIMITED	LAND ROVER