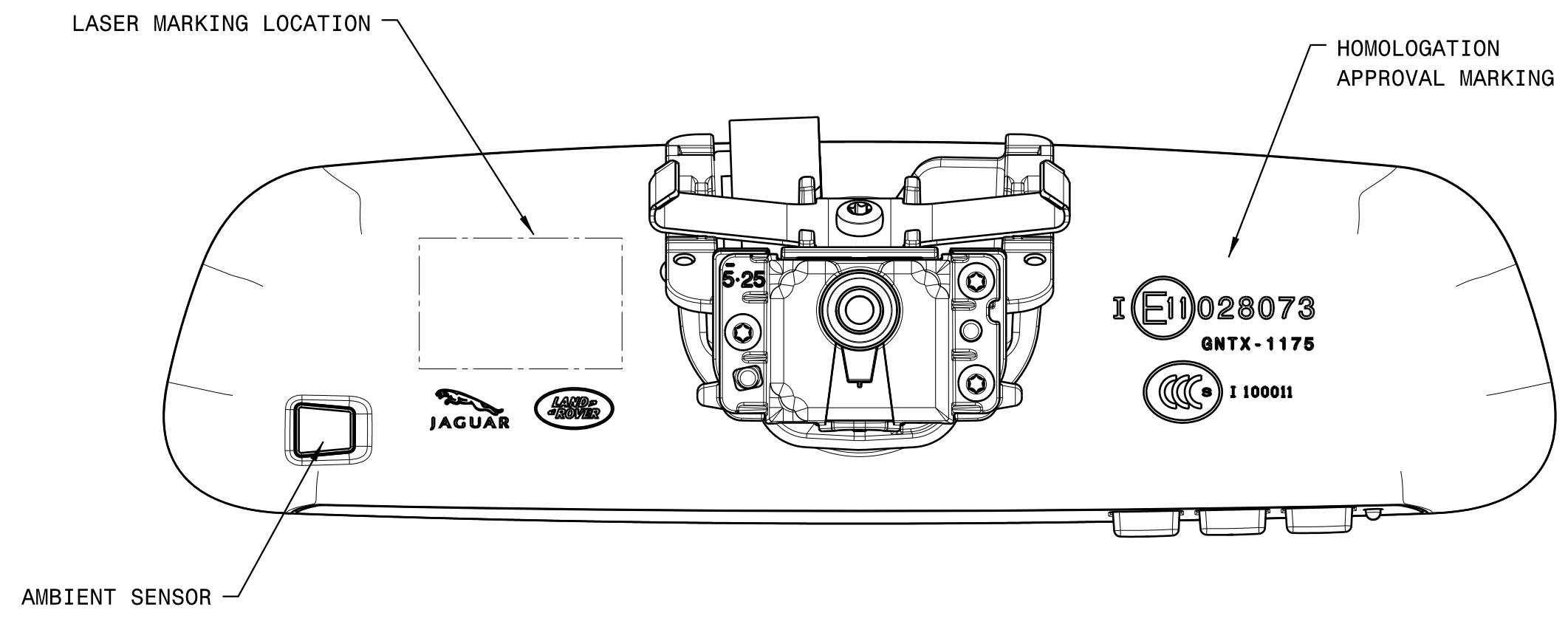
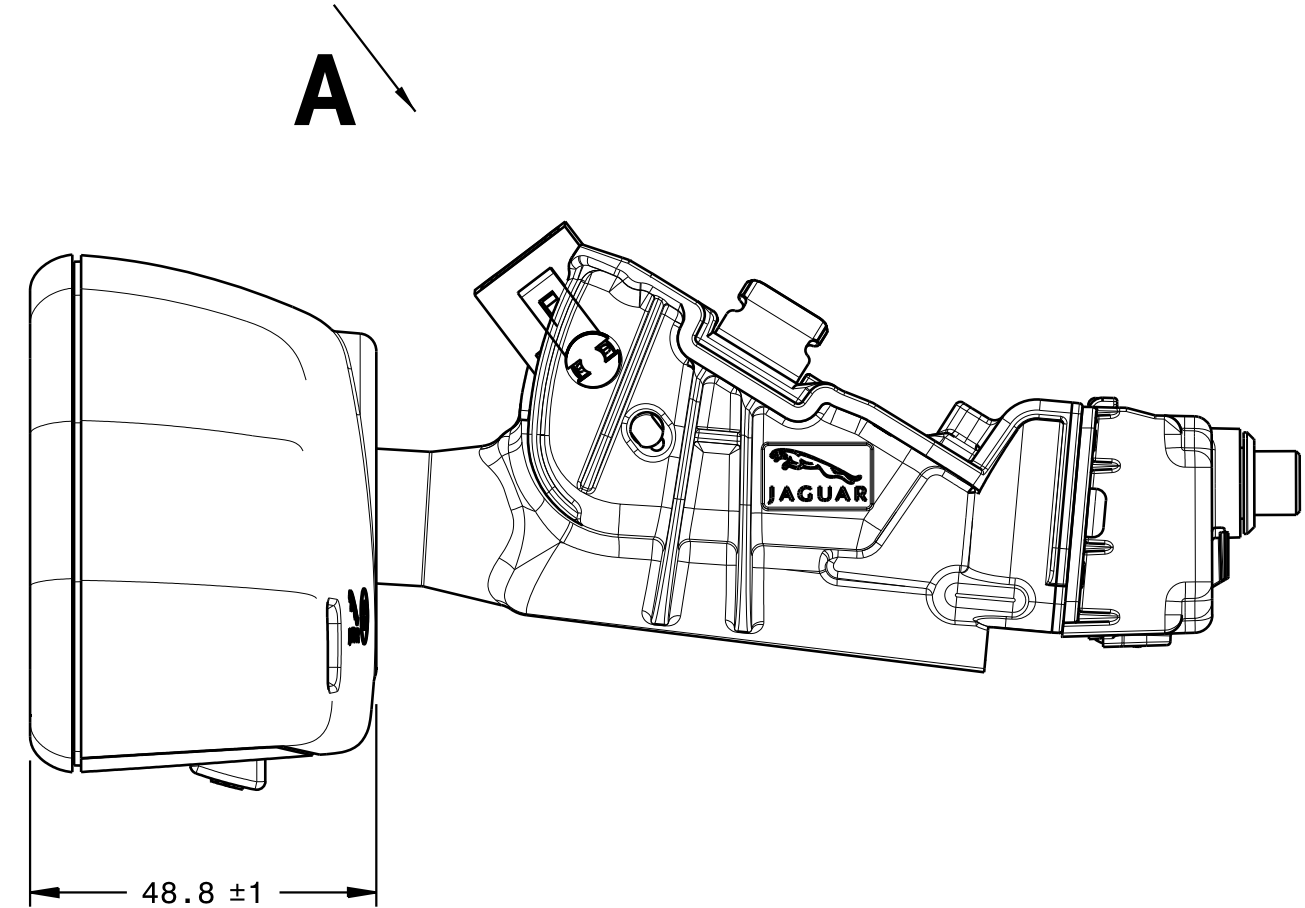


17 16 15 14 13 12 11 10 9 8 7 6 5 4 3 2 1

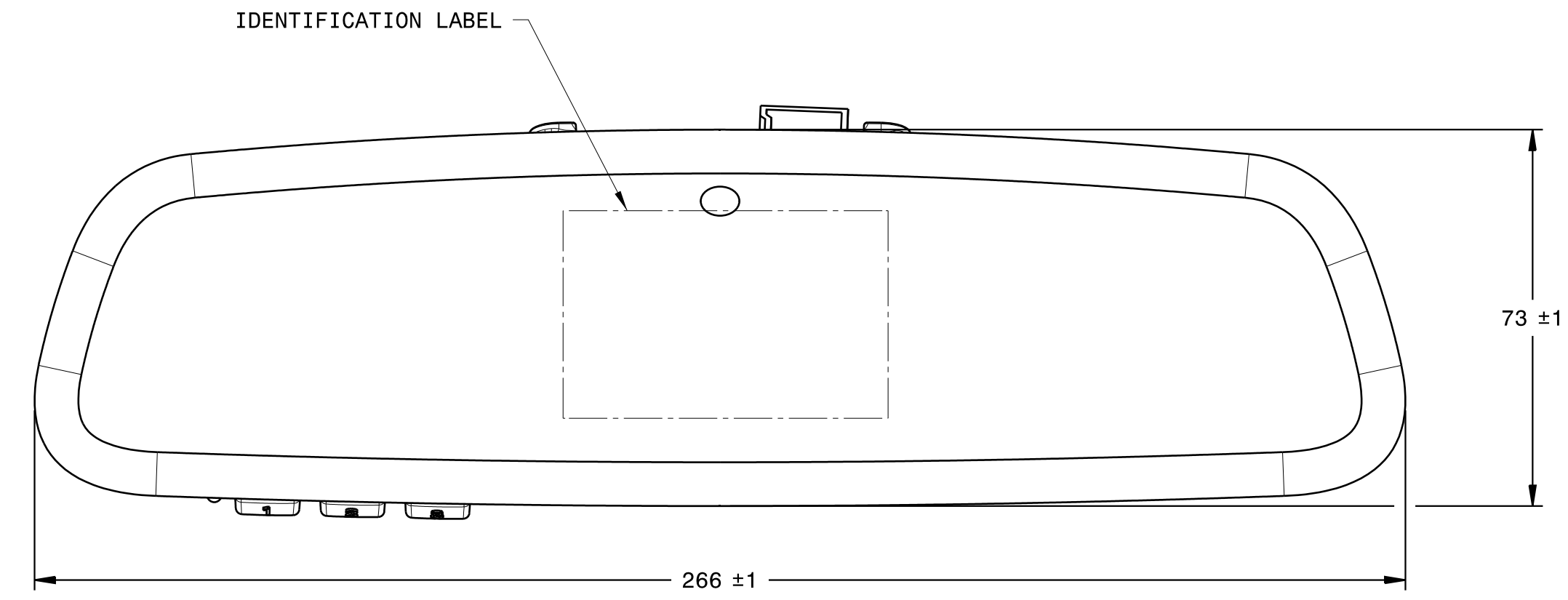
LTRS				REVISIONS			
ORIGINATOR	CHECKER	ENGR APP	MATL APP				
INITIAL PRODUCTION RELEASE							
2011XXXX							
XXX	IMALIN	PSUTTON	MAT ENG				



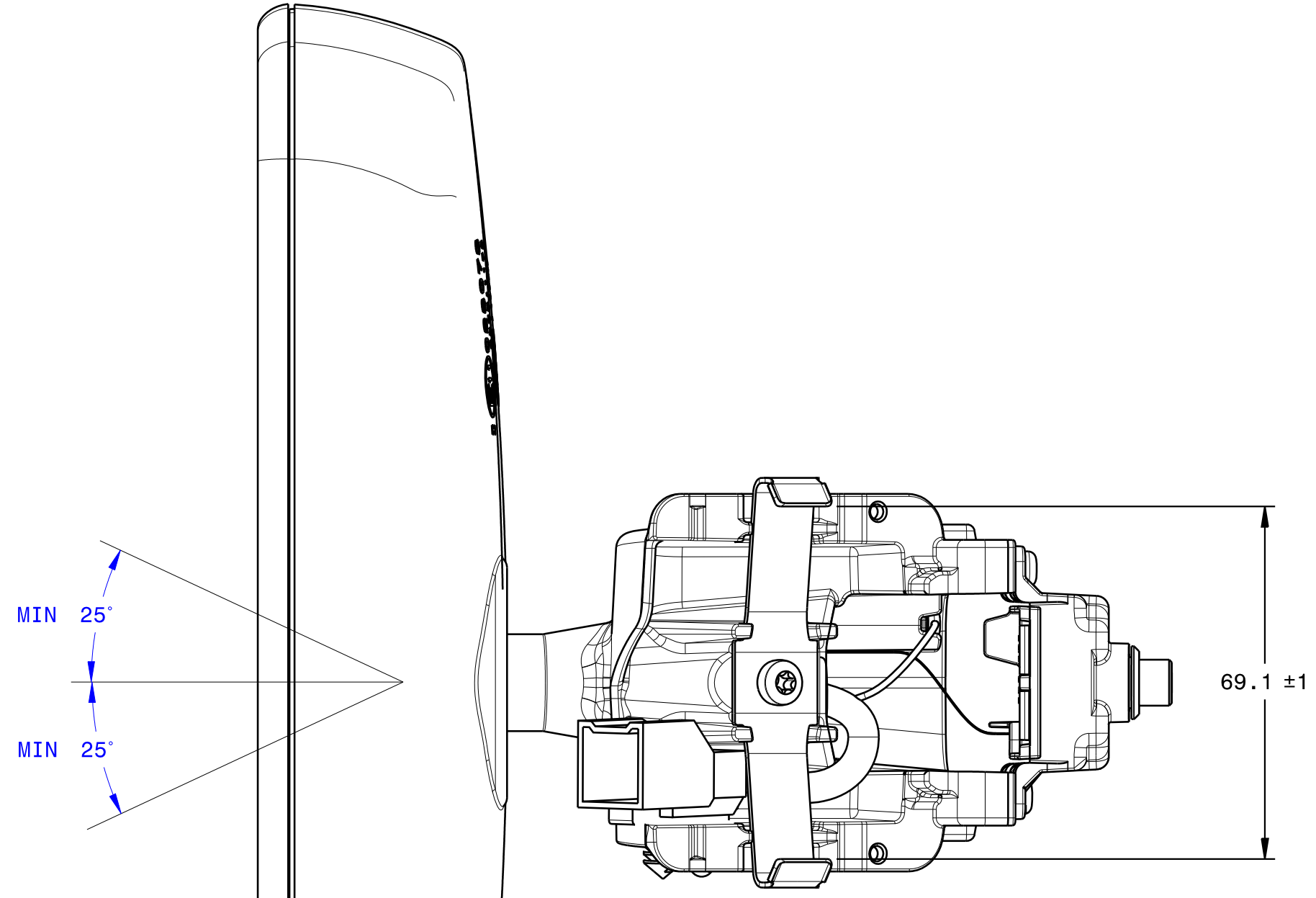
Front view
Scale: 1:1



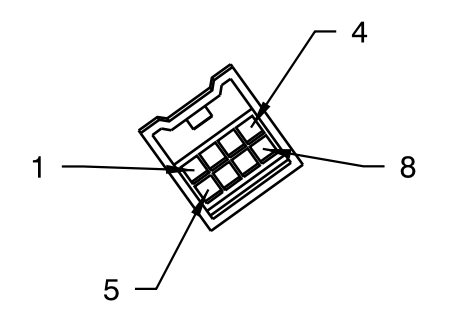
Left view
Scale: 1:1



Rear view
Scale: 1:1



Auxiliary view B
Scale: 1:1



VIEW IN DIRECTION OF ARROW A

NOTES:

- MIRROR TO MEET THE FOLLOWING REQUIREMENTS:
JLR L494 CURRENT EFDVS DECK.
- MIRROR ADJUSTMENT TORQUE: 1.1Nm to 2.6Nm.
- MIRROR ASSEMBLY TO COMPLY WITH THE RELEVANT PARTS OF THE FOLLOWING REGULATIONS:
ECE R46.02
FMVSS 111
- MIRROR MANUFACTURED TO GENTEX QUALITY STANDARDS:
GNTX-1030.
- THIS PART MUST BE FREE FROM HEXAVALENT CHROMIUM AND REPORTED IN IMDS.
- EXTERIOR SURFACES TO BE TEXTURED AS INDICATED PER BMW FEINNARBE L TEXTURE.

WIRE REQUIREMENTS - PIN OUT		
PIN	FUNCTION	CURRENT
1	+12V SWITCHED IGNITION	1.5A
2	+12V REVERSE INHIBIT	10mA MAX
3	CHASSIS GROUND	1.5A
4	OEC FEED	300 MAX PER ELEMENT
5	OEC RETURN	300 MAX PER ELEMENT
6	OPEN	
7	MSCAN LO	
8	MSCAN HI	

FLC APPLICATION SOFTWARE LEVEL: 1.0	
APPLICATION FILES	DPLA-14F455-AA DPLA-14F455-BA
NETWORK FILE	DPLA-14F454-AC
SECONDARY BOOTLOADER	DPLA-14F457-AA
CONFIG FILES	DPLA-14F456-AA DPLA-14F456-BA

REFERENCE		XXX	
PART MUST COMPLY WITH RESTRICTED SUBSTANCE MANAGEMENT STANDARD WSS-M99P9999-A1 TO SAFEGUARD HEALTH, SAFETY AND THE ENVIRONMENT			
DRAFTED IN ACCORDANCE WITH FORD MOTOR COMPANY ENGINEERING CAD AND DRAFTING STANDARDS VERSION 22		3RD ANGLE PROJ DIMENSIONS ARE IN MILLIMETERS	
CAD TYPE	CAD LOC.	CAD FILE	DTM
K-CATIA5	Tce	DPLA-17E678-HA-DWG-REV_03	3 IS MASTER
OPER. NO.	UNIT	DRAWING	
N/A	N/A	DPLA-17E678-HA	
DESIGN	DETAIL	TITLE	SHT 1
XXX	XXX	MIR ASSY RV I/S	OF 1
CHECKED	SAFETY	[TSR_LDW_AHBA_NAS_GDO]	N/A
IMALIN	N/A		
SCALE	DATE	DIVISION	JAGUARLANDROVER
1:1	2011XXXX	PLANT	GAYDON
JAGUAR		JAGUAR CARS LIMITED	LAND ROVER

17 16 15 14 13 12 11 10 9 8 7 6 5 4 3 2 1