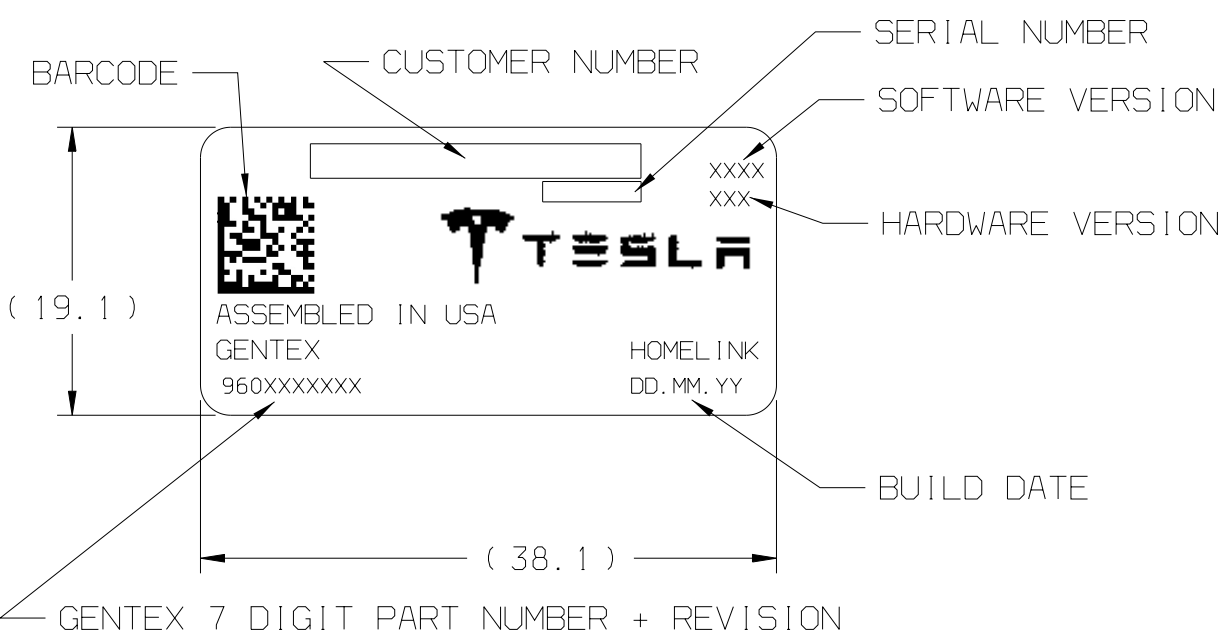
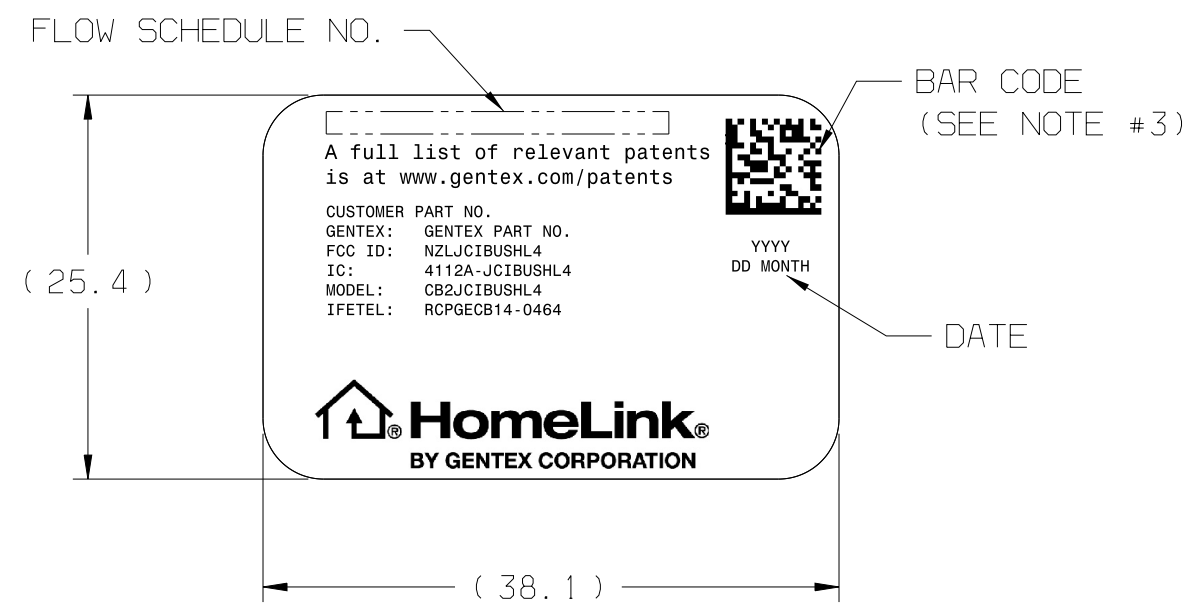


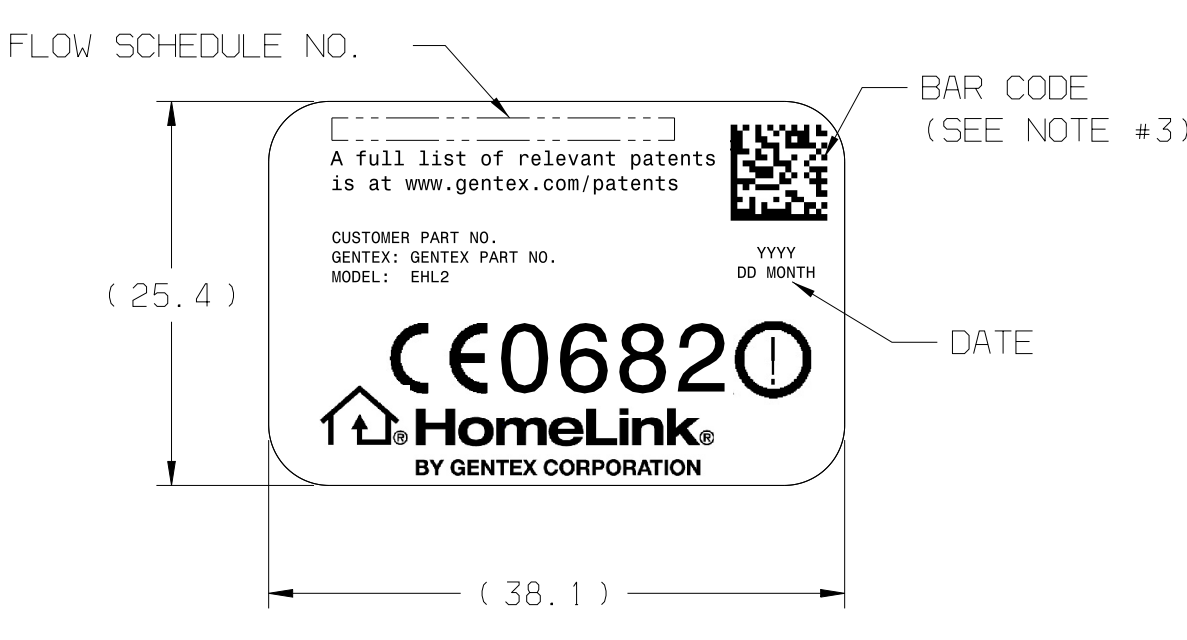
CUSTOMER LABEL 'A' - ITEMS 5 AND 8
SCALE: 2:1
(LABEL VIEW)



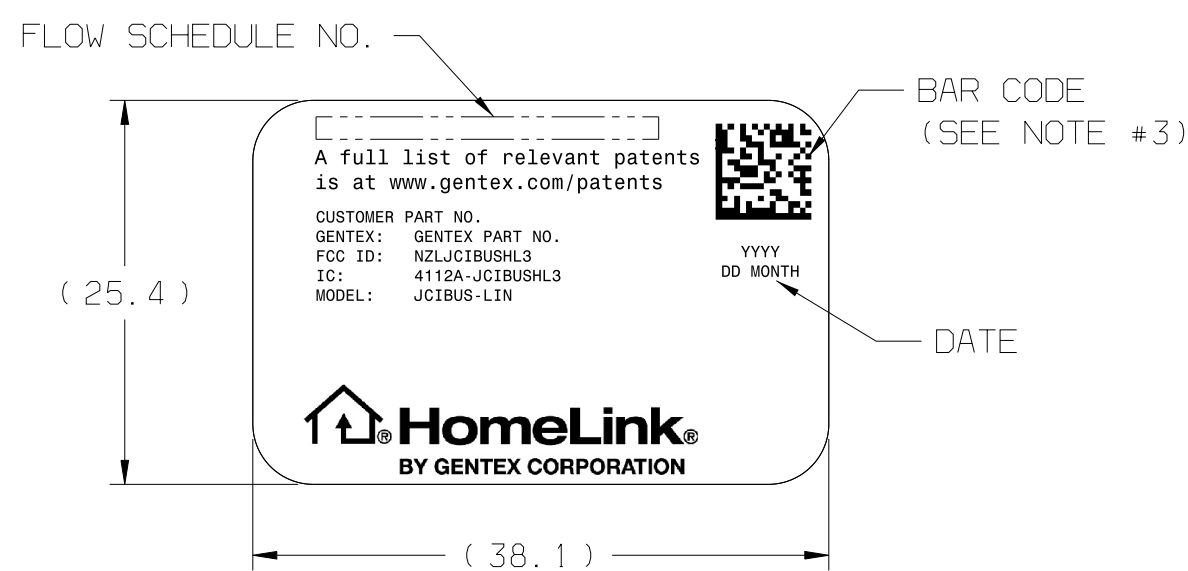
CUSTOMER LABEL 'B' - ITEM 5
SCALE: 2:1
(LABEL VIEW)



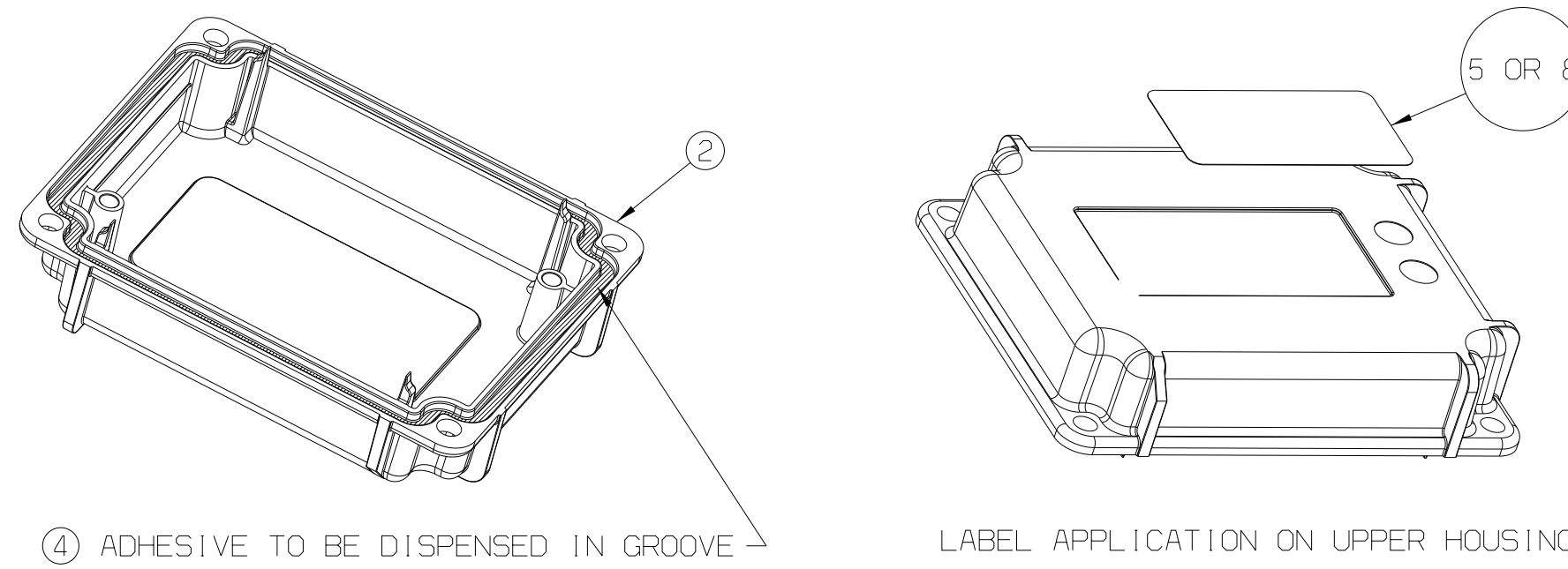
PATENT LABEL 'M' - ITEM 6
SCALE: 2:1



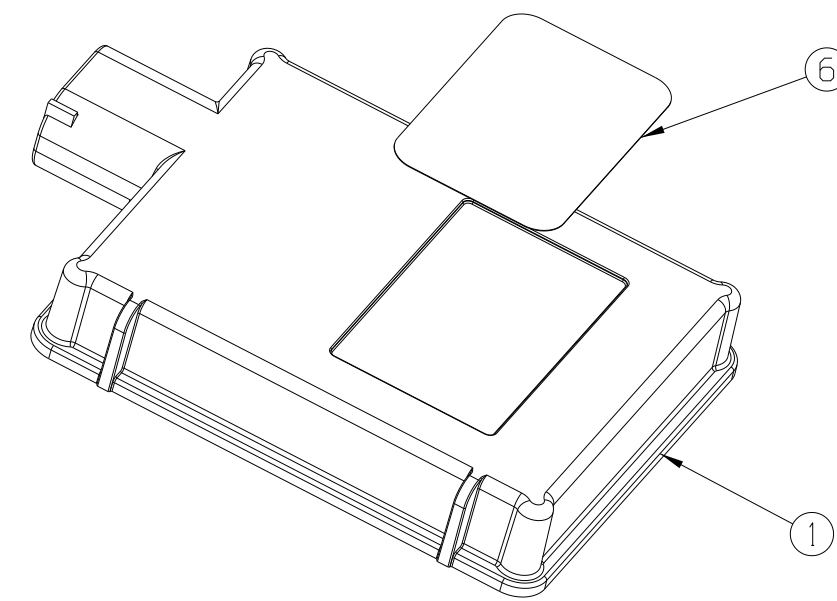
PATENT LABEL 'N' - ITEM 6
SCALE: 2:1



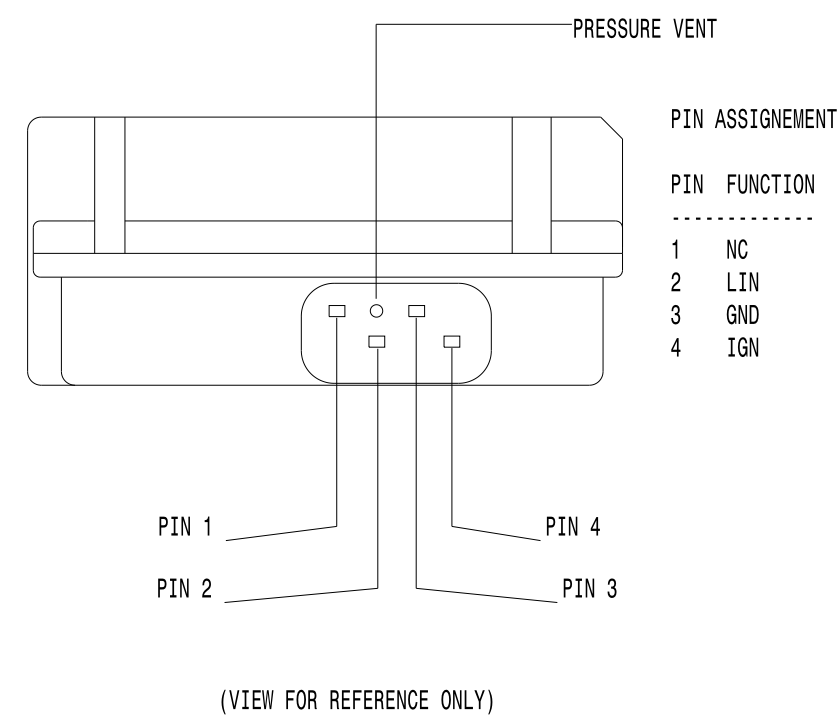
PATENT LABEL 'P' - ITEM 6
SCALE: 2:1



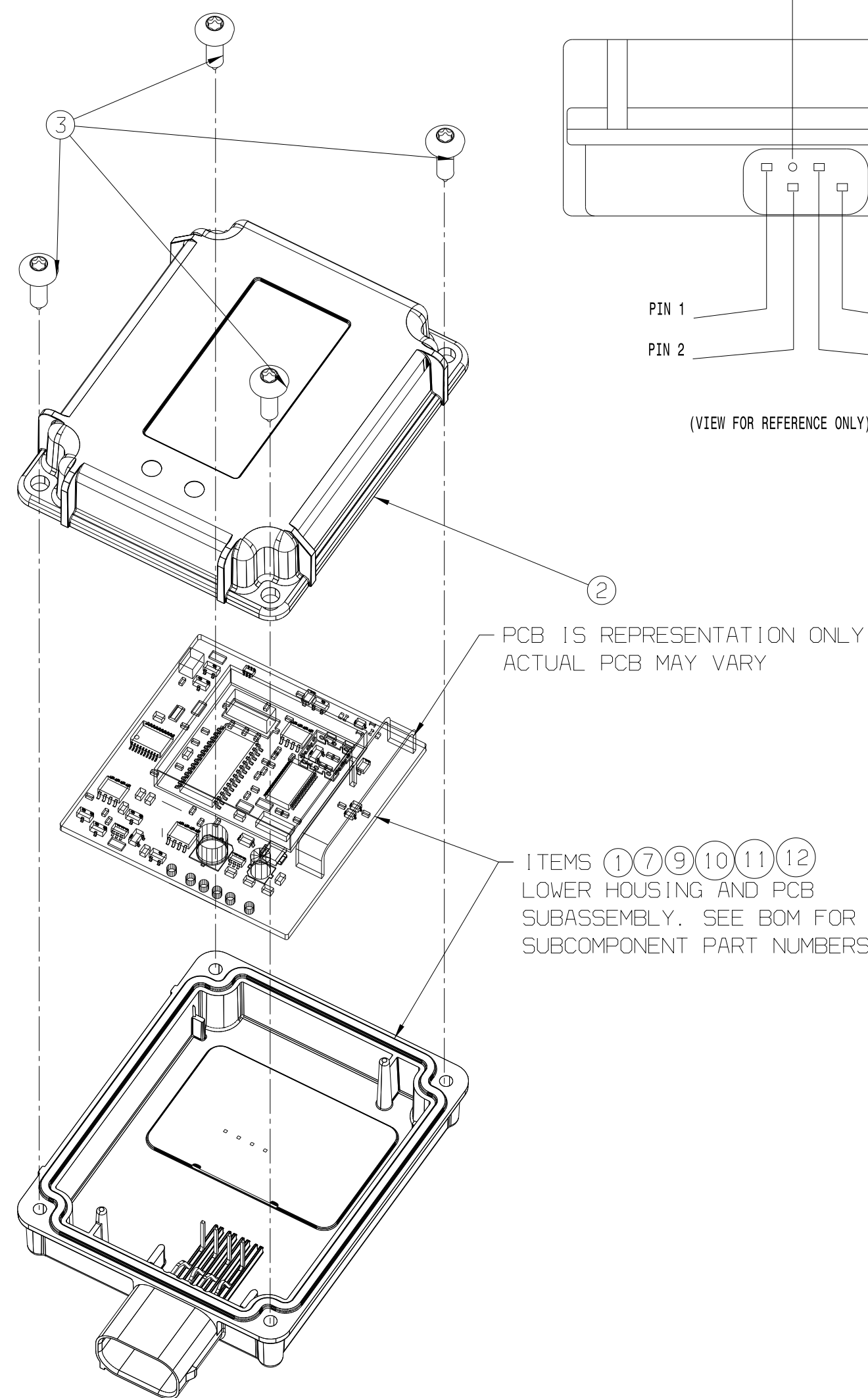
ADHESIVE DISPENSE PATH



LABEL APPLICATION ON LOWER HOUSING



(VIEW FOR REFERENCE ONLY)



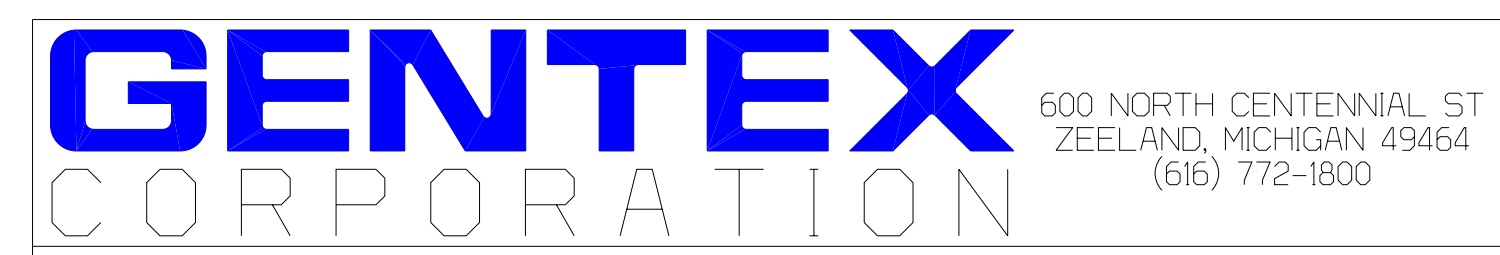
EXPLODED VIEW

REVISION HISTORY				
REV	DESCRIPTION	BY/DATE	ECO NO.	APPROVED
AAA	RELEASE TO PRODUCTION FROM REV 003			
	1. ADDED 960-0131			
	2. QUALITY LEVEL UPDATED TO 08S FOR 960-0091			
	3. QUALITY LEVEL UPDATED TO 05S FOR 960-0095			
	4. QUALITY LEVEL UPDATED TO 03S FOR 960-0094			
	5. QUALITY LEVEL UPDATED TO 04S FOR 960-0087			
	6. 375-0893-000 WAS 375-0765			
	7. ADDED PATENT LABEL 'P' FOR 960-0113			

QTY	QTY	QTY	QTY	QTY	QTY	QTY	QTY	QTY	QTY	ITEM	DESCRIPTION	GENTEX PART NO.
										12	TT	605-5497-001
										11	ET, SA PCB, EU HL2 AUD1/BENTLEY D4	705-2422-001
			1							10	ET, SA PCB, EU HL2 AUD1 B8	605-4769-001
										9	ET, SA PCB, EU HL2 AUD1 C7 COMPLETE	705-2382-001
			1	1	1	1	1			8	LABEL, HMLK 1.5X0.75 LIGHT BLUE	375-0904-000
										7	ET, SA PCB, US HL4 AUD1 C7 COMPLETE	705-2375-001
	1	1	1	1	1	1	1			6	LABEL, DATE CODE 1X1.5 WHITE	375-0893-000
	1	1								5	LABEL, HMLK 1.5X0.75 WHITE	375-0905-000
	YES	YES	YES	YES	YES	YES	YES	YES		4	LOCTITE 5910	521-0057-000
	4	4	4	4	4	4	4	4		3	SCREW, M3.2 X 2.5 X 12.7 TTH PG ZB	401-0139-000
	1	1	1	1	1	1	1	1		2	HSG, AUD1 B6 TT, UPPER HMLK	340-1366-000
										1	ET, SA PCB, US HL4 AUD1 MODULE	605-4764-001

AAA.6

- NOTES:
- INDIVIDUAL COMPONENTS ON PCB ASSEMBLY ARE FOR REFERENCE ONLY.
 - ADHESIVE LABEL FORMAT AND INFORMATION IS TO MATCH AS SHOWN IN THE LABEL VIEW(S) AND BOM.
 - THE BAR CODE CONTAINS THE FOLLOWING; GENTEX PART NO., THREE DIGITS FOR TESTER AND AN 8-DIGIT SERIAL NO. AN EXAMPLE IS BELOW; 960006000100012345678
 - ASSEMBLY MUST COMPLY TO TEST SPECIFICATION TDE-1770888_2.
 - PART GEOMETRY REPRESENTED ON THIS PRINT IS FOR REFERENCE ONLY. FOR OFFICIAL PART GEOMETRY REFERENCE INDIVIDUAL PART PRINTS.



TITLE		FINAL ASM, HL BUMPER MODULES	
NVS. SPECIFIES FEATURES REQUIRING SPECIAL CONSIDERATION. SEE CONTROL PLAN. INTERPRET DIMENSIONS AND TOLERANCE PER ASME Y14.5M - 1994		SIZE DWG NO. D 960-K	REV AAA
THIRD ANGLE PROJECTION		MATERIAL SEE COMP DWGS.	MASS (CALCULATED) 65 g
DRAWN BY KYPMA		DATE AS NOTED	DATA FORMAT CATIA V5 SHEET
SCALE 1:1 &		DATE 2/6/2014	1 OF 1

LABEL	BARCODE INFORMATION		
	CHARACTERS	INFORMATION	PRINTED TEXT
A	1	DMC VERSION	" 3 "
	1	SEPARATOR	" # "
	14	PART NUMBER (WITH TRAILING " ")	SEE CUSTOMER PART NUMBER
	1	SEPARATOR	" # "
	9	HARDWAREVERSIONSOFTWAREVERSION	"HXXXXXXX" (SEE PN TABLE)
	1	SEPARATOR	" # "
	9	DUNS - NUMBER	"065855363 "
	1	SEPARATOR	" # "
	6	PRODUCTION DATE (DYNAMIC)	DDMMYY
	1	SEPARATOR	" * "
	3	BGR	"DJH"
	16	VW SLAVE SERIAL NUMBER - LEADING 0	"0000000000000000"
	4	MANUFACTURER'S SERIAL NUMBER AS PER DAILY PRODUCTION (DYNAMIC, NUMBERS ONLY)	1234 (EXAMPLE)
	1	SEPARATOR	" * "
	1	END	" = "
	B	13	TESLA PART NUMBER
1		SEPARATOR	" : "
M	11	SERIAL NUMBER	"S#####"
N			
P			