

LABEL VIEW
SCALE: 4:1

****PRELIMINARY****

REVISION HISTORY				
REV	DESCRIPTION	BY/DATE	ECO NO.	APPROVED
AAA	RELEASE TO PRODUCTION	CDP 2/25/14	-	-

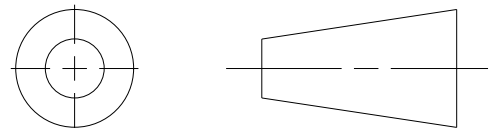
DATE OF MANUFACTURE

NOTES: UNLESS OTHERWISE SPECIFIED

1. LABEL STOCK - 375-0896.
2. MATERIAL - HIGH TEMPERATURE POLYESTER.
3. COLOR: ORANGE
4. ASSEMBLER IS TO PRINT LABEL INFORMATION AS SHOWN.

GENTEX CORPORATION
600 NORTH CENTENNIAL ST
ZEELAND, MICHIGAN 49464
(616) 772-1800

TITLE
LABEL, HSG UA HMLK

NVS. SPECIFIES FEATURES REQUIRING SPECIAL CONSIDERATION, SEE CONTROL PLAN. INTERPRET DIMENSIONS AND TOLERANCE PER ASME Y14.5M - 1994	SIZE B	DWG NO. HML-1002	REV AAA
	MATERIAL SEE NOTES		MASS (CALCULATED) N/A
THIRD ANGLE PROJECTION 	DRAWN BY CPOLLACK		DATA FORMAT CATIA V5
	SCALE 4:1	DATE 2/25/2014	SHEET 1 OF 1